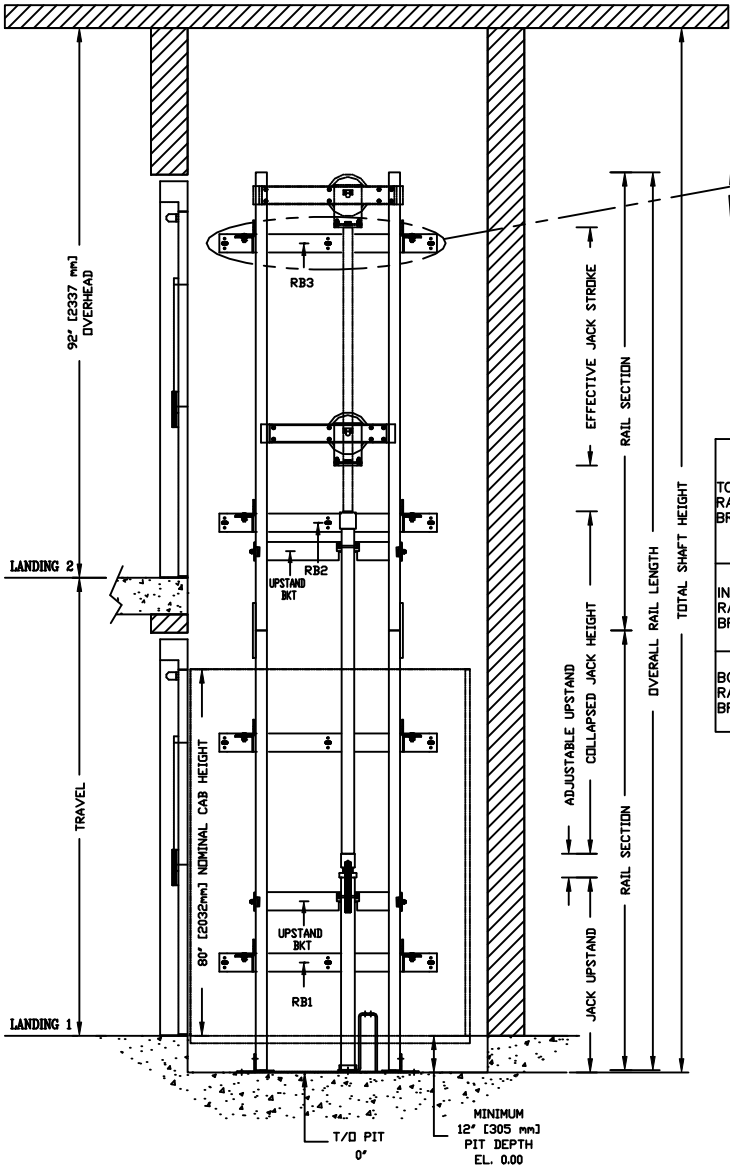
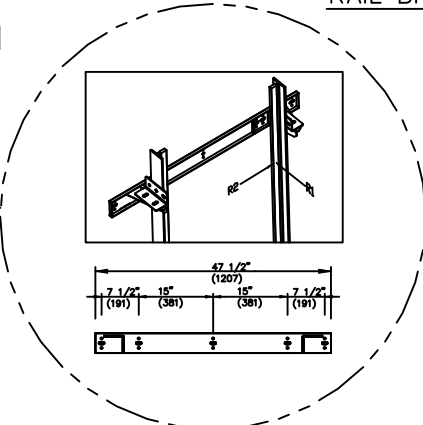


SECTIONAL VIEW - PROLIFT HD Model 4860 TYPE 1L



TOP RAIL BRACKET RB3	AT TOP OF HOISTWAY CONSULT YOUR CONCORD REPRESENTATIVE FOR EXACT LOCATION
INTERMEDIATE RAIL BRACKET RB2	48" [1219mm] INTERVALS ABOVE BOTTOM BRACKET
BOTTOM RAIL BRACKET RB1	24" [610mm] ABOVE PIT FLOOR

RAIL BRACKET



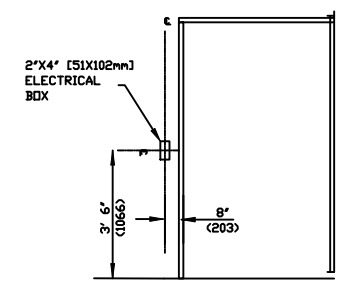
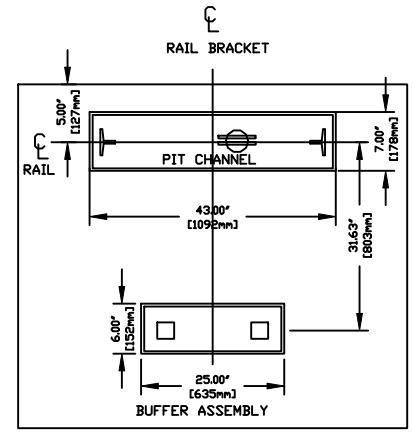
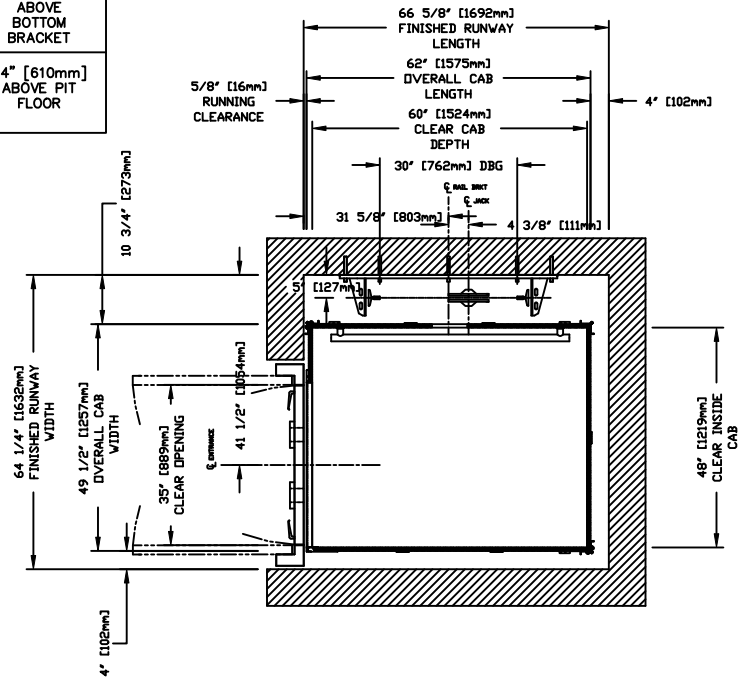
RAIL FORCES		
* R1	* R2	CAPACITY
422. lbf.	251.50lbf.	1400 lbs.
355.03lbf.	251.50lbf.	1000 lbs.

RAIL WEIGHT : 8.0 lbs / ft

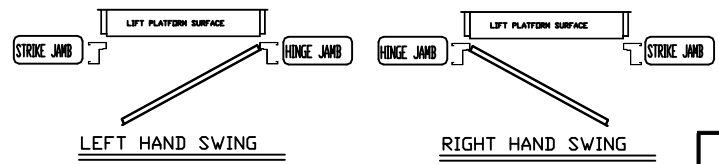
R3 NOTE:	
PIT FLOOR TO SUPPORT LOAD OF: * (INCLUDES IMPACT)	
CAPACITY	
8.22 Kips	1400 lbs.
6.4 Kips	1000 lbs.

FOR TOTAL PULL-OUT FORCE ON RAIL BRACKET, R1 MUST BE DOUBLED eg. 608 lbf For 1000 lbs.

PLAN VIEW - PROLIFT HD Model 4860 TYPE 1L



HALL FIXTURE LOCATION  
LEFT HAND AS SHOWN  
RIGHT HAND OPPOSITE  
1. HALL BUTTON AT ALL FLOORS



COMMERCIAL WHEELCHAIR LIFT  
PROLIFT HD MODEL 4860 TYPE 1L

CUSTOMER:	DATE:	savaria	△
PROJECT:	REVISION DATE:		
LOCATION:	COMPLETED BY:		
		JOB No.	SHEET No.

DOCUMENT REVISION #0, DATE: 12/09/10