

SECTIONAL VIEW - PROLIFT HD Model 4860 TYPE 5

RAIL BRACKET

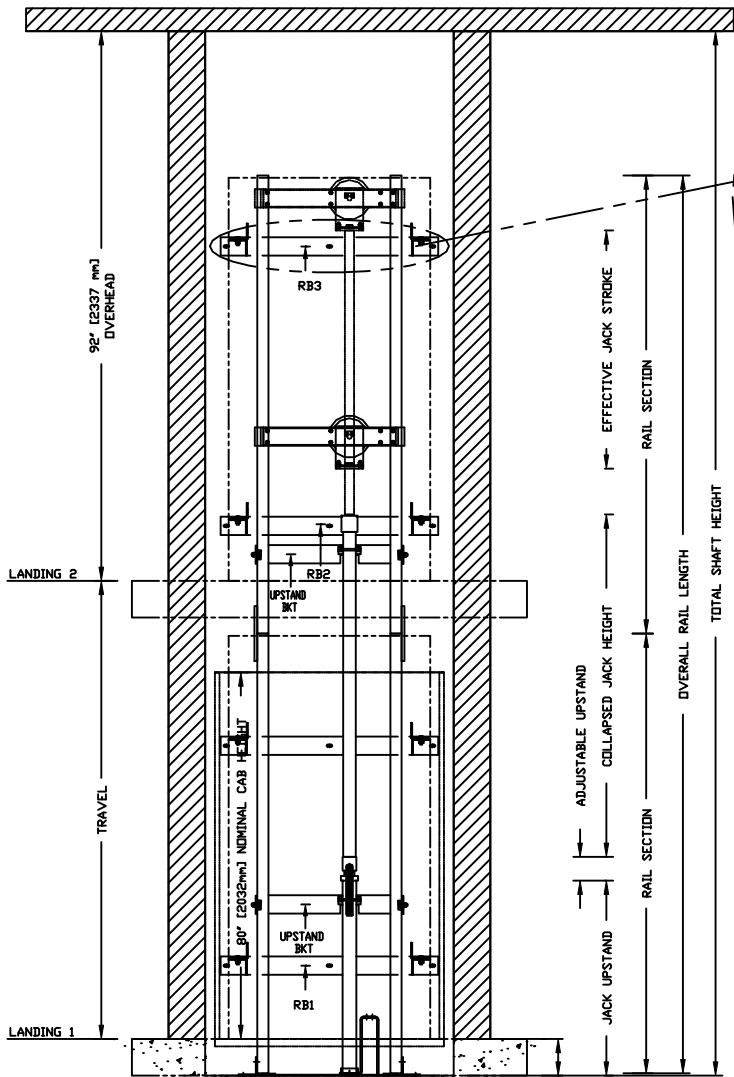
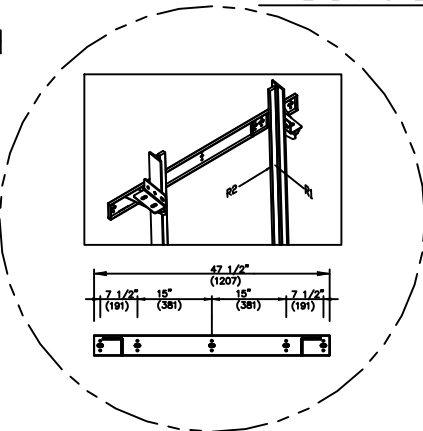
RAIL FORCES

* R1	* R2	CAPACITY
422. lbf.	251.50 lbf.	1400 lbs.
355.03 lbf.	251.50 lbf.	1000 lbs.

RAIL WEIGHT : 8.0 lbs / ft

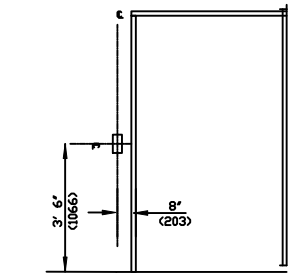
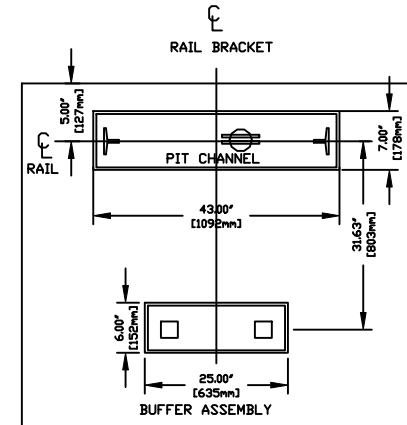
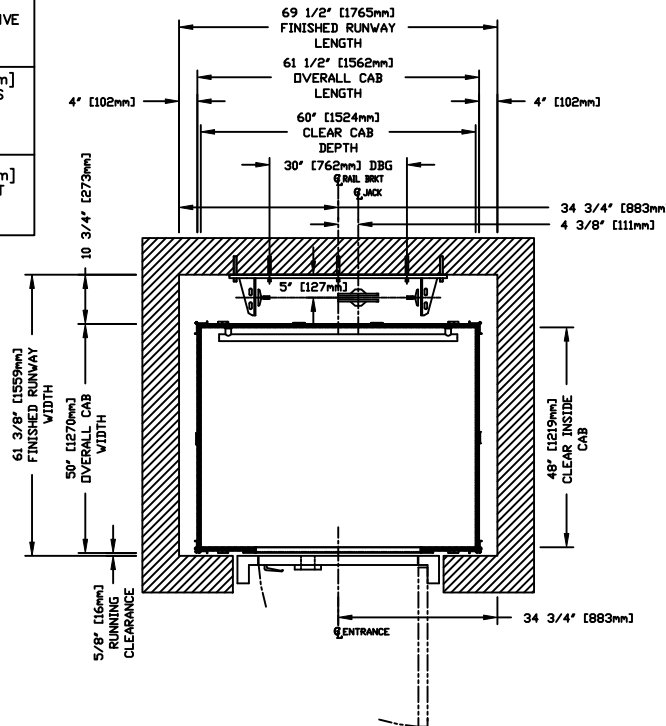
R3 NOTE:	
PIT FLOOR TO SUPPORT LOAD OF:	
* (INCLUDES IMPACT)	
CAPACITY	
8.22 Kips	1400 lbs.
6.4 Kips	1000 lbs.

FOR TOTAL PULL-OUT FORCE ON RAIL BRACKET, R1 MUST BE DOUBLED eg. 608 lbf for 1000 lbs.

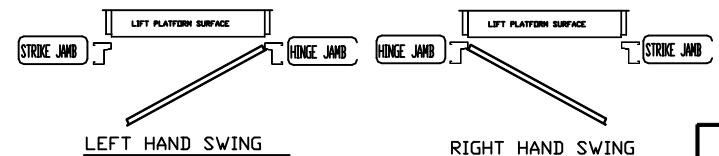


TOP RAIL BRACKET RB3	AT TOP OF HOISTWAY CONSULT YOUR CONCORD REPRESENTATIVE FOR EXACT LOCATION
INTERMEDIATE RAIL BRACKET RB2	48" [1219mm] INTERVALS ABOVE BOTTOM BRACKET
BOTTOM RAIL BRACKET RB1	24" [610mm] ABOVE PIT FLOOR

PLAN VIEW - PROLIFT HD Model 4860 TYPE 5



HALL FIXTURE LOCATION
LEFT HAND AS SHOWN
RIGHT HAND OPPOSITE
I. HALL BUTTON AT ALL FLOORS



COMMERCIAL WHEELCHAIR LIFT
PROLIFT HD MODEL 4860 TYPE 5

CUSTOMER:	DATE:	savaria
PROJECT:	REVISION DATE:	
LOCATION:	COMPLETED BY:	
		JOB No.
		SHEET No.