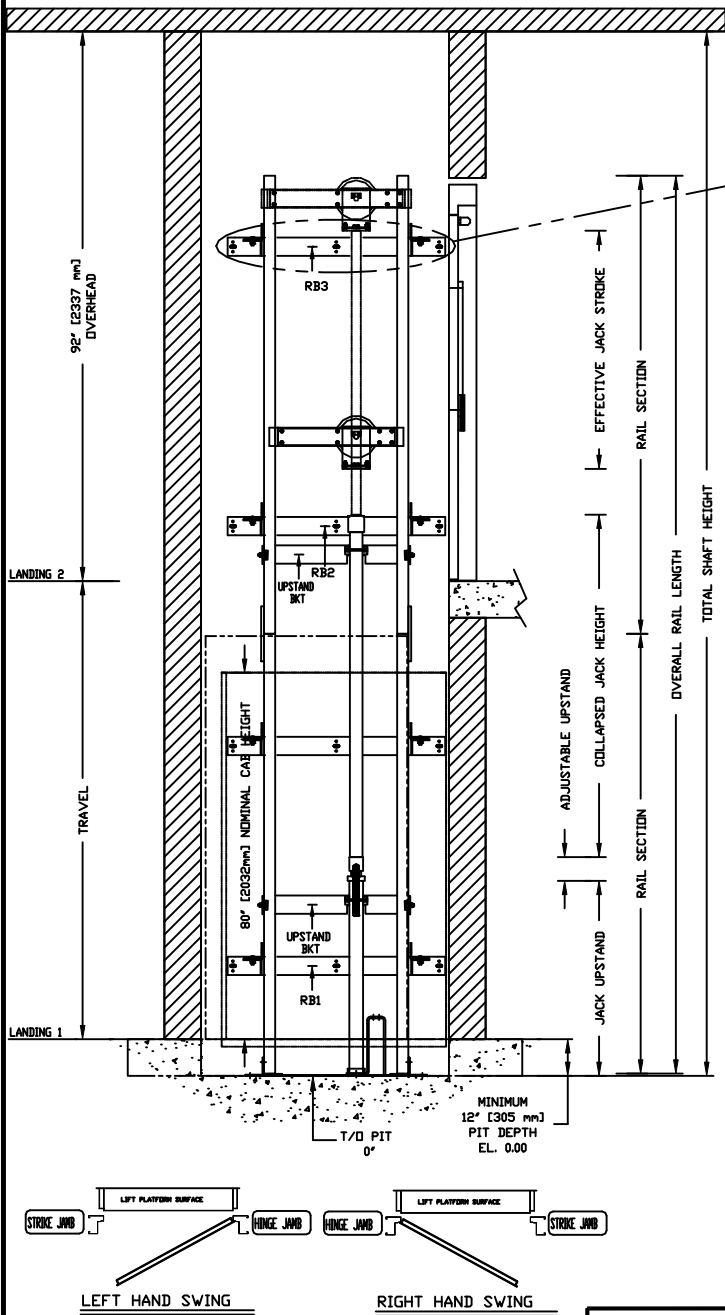
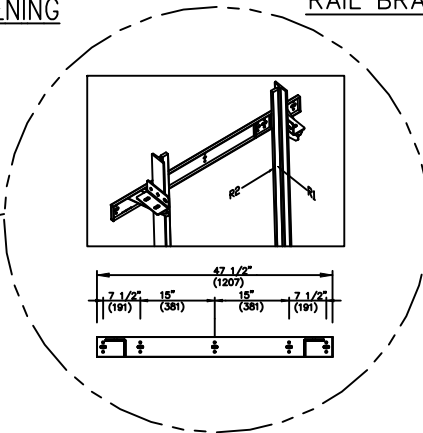


SECTIONAL VIEW - PROLIFT HD Model 4860 TYPE 3-42" OPENING



RAIL BRACKET



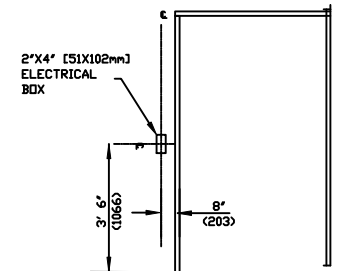
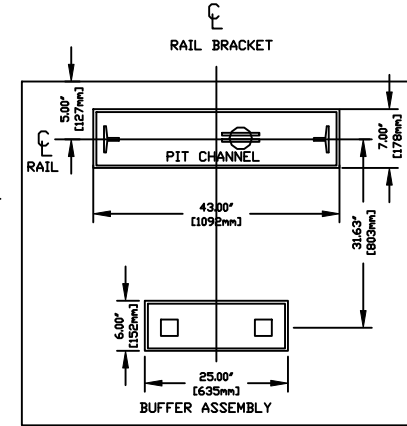
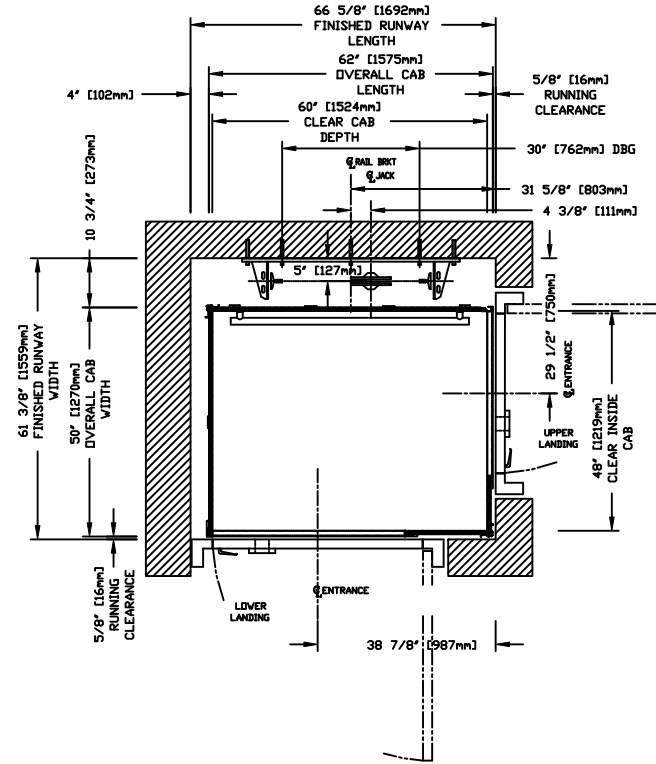
RAIL FORCES		
* R1	* R2	CAPACITY
422. lbf.	251.50lbf.	1400 lbs.
355.03lbf.	251.50lbf.	1000 lbs.
RAIL WEIGHT : 8.0 lbs / ft		

R3 NOTE:	
PIT FLOOR TO SUPPORT LOAD OF: * (INCLUDES IMPACT)	
CAPACITY	
8.22 Kips	1400 lbs.
6.4 Kips	1000 lbs.

FOR TOTAL PULL-OUT FORCE ON RAIL BRACKET, R1 MUST BE DOUBLED eg. 608 lbf for 1000 lbs.

PLAN VIEW - PROLIFT HD Model 4860 TYPE 3-42" OPENING

TOP RAIL BRACKET RB3	AT TOP OF HOISTWAY CONSULT YOUR CONCORD REPRESENTATIVE FOR EXACT LOCATION
INTERMEDIATE RAIL BRACKET RB2	48" [1219mm] INTERVALS ABOVE BOTTOM BRACKET
BOTTOM RAIL BRACKET RB1	24" [610mm] ABOVE PIT FLOOR



HALL FIXTURE LOCATION
LEFT HAND AS SHOWN
RIGHT HAND OPPOSITE
1. HALL BUTTON AT ALL FLOORS

DOCUMENT REVISION #0, DATE: 12/09/10

COMMERCIAL WHEELCHAIR LIFT
PROLIFT HD MODEL 4860 TYPE 3-42" OPENING

CUSTOMER:	DATE:		SHEET No.
PROJECT:	REVISION DATE:		
LOCATION:	COMPLETED BY:		