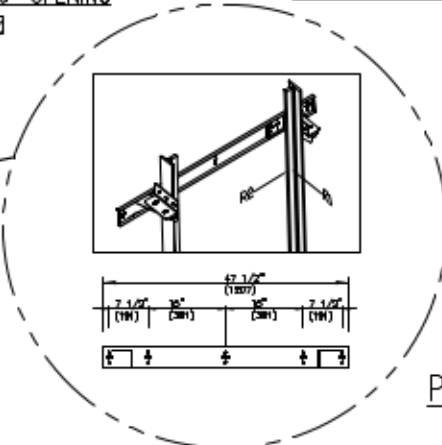
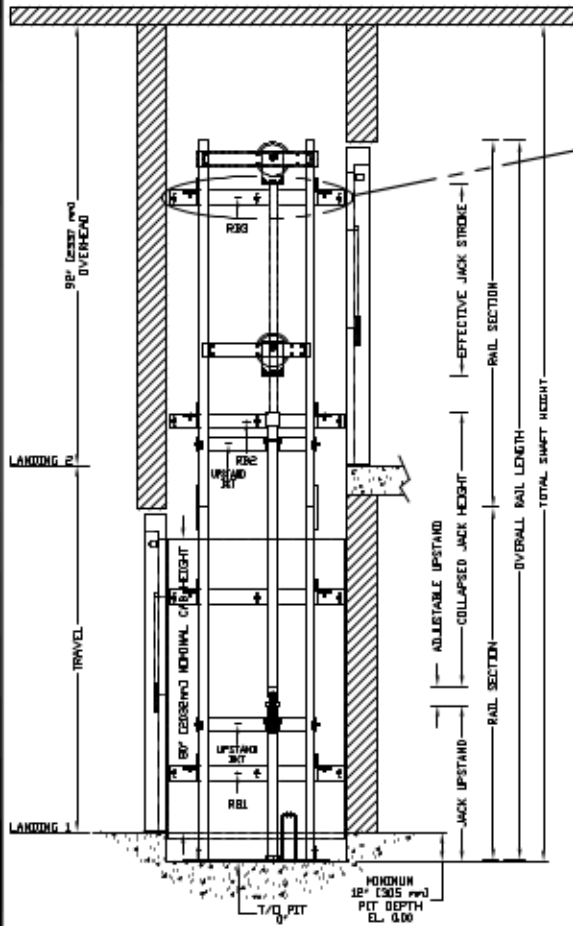


SECTIONAL VIEW - PROLIFT HD Model TYPE 2-42- 36" OPENING

RAIL BRACKET



RAIL FORCES

*R1	*R2	CAPACITY
355.03lbf.	251.50lbf.	1400 lbs.
304 lbf.	194 lbf.	1000 lbs.

RAIL WEIGHT : 80 lbs / Ft

R3 NOTE:

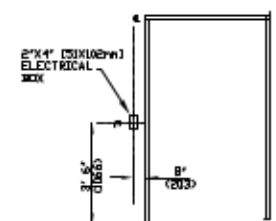
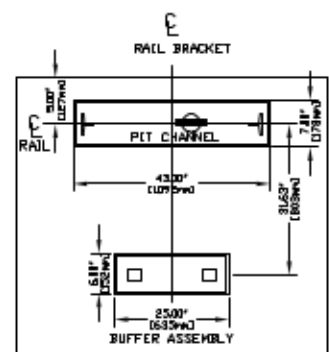
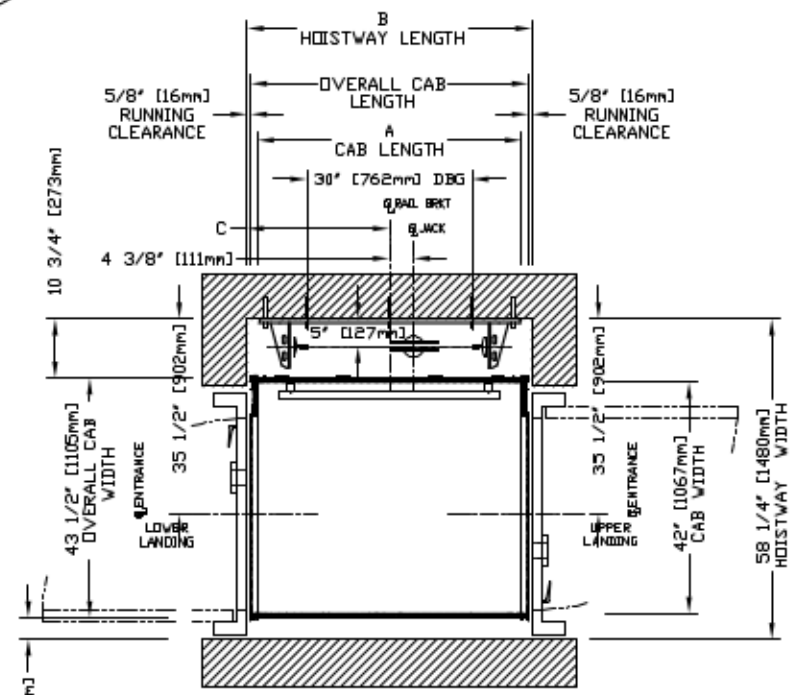
PIT FLOOR TO SUPPORT LOAD OF:
* (INCLUDES IMPACT)

CAPACITY	
6.4 Kips	1400 lbs.
5.33Kips	1000 lbs.

FOR TOTAL PULL-OUT FORCE ON RAIL BRACKET, R1 MUST BE DOUBLED eg 608 lbf for 1000 lbs.

TOP RAIL BRACKET RB3	AT TOP OF HOISTWAY CONSULT YOUR CONCORD REPRESENTATIVE FOR EXACT LOCATION
INTERMEDIATE RAIL BRACKET RB2	48" [1219mm] INTERVALS ABOVE BOTTOM BRACKET
BOTTOM RAIL BRACKET RB1	24" [610mm] ABOVE PIT FLOOR

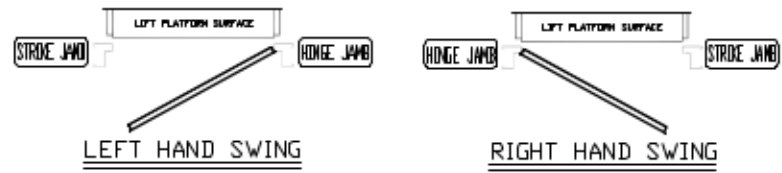
PLAN VIEW - PROLIFT HD Model TYPE 2-42- 36" OPENING



HALL FIXTURE LOCATION LEFT HAND AS SHOWN RIGHT HAND OPPOSITE I. HALL BOTTOM AT ALL FLOORS

HOISTWAY DIMENSION

A CAB LENGTH		B HOISTWAY LENGTH		C RAIL BRKT CENTER LINE	
mm	Inches	mm	Inches	mm	Inches
1372	54	1467	57 3/4	733	28 7/8
1524	60	1619	63 3/4	810	31 7/8



COMMERCIAL WHEELCHAIR LIFT
PROLIFT HD MODEL TYPE 2-42- 36" OPENING

CUSTOMER:	DATE:	
PROJECT:	ROOM NO.:	
LOCATION:	SPECIES BY:	