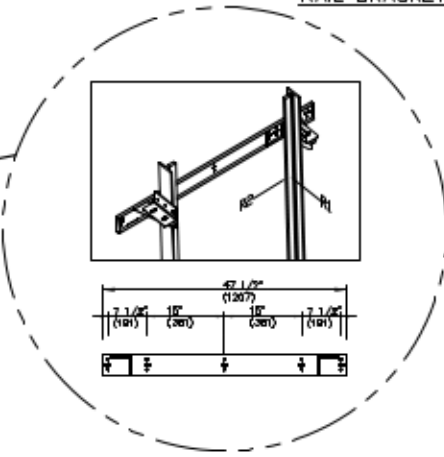
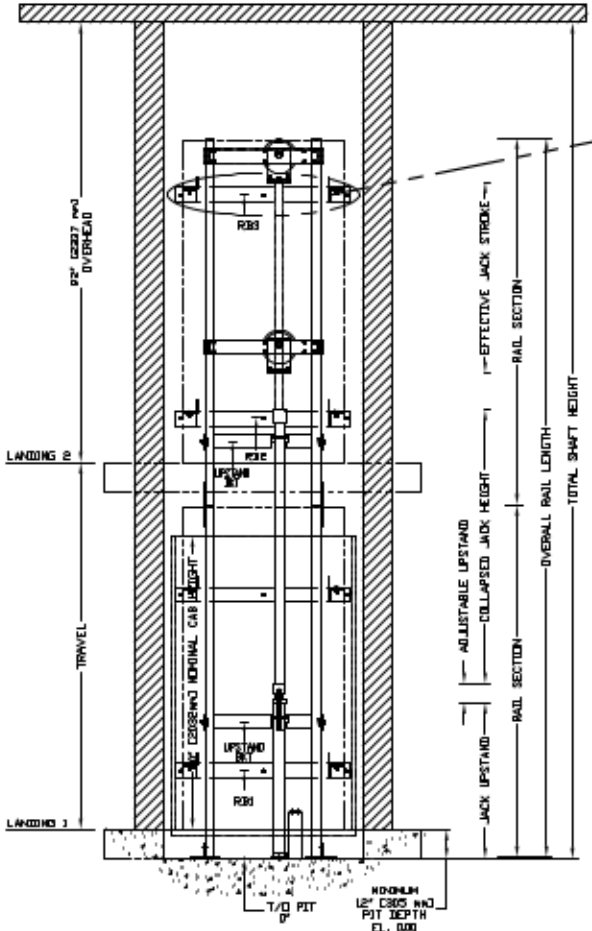


SECTIONAL VIEW - PROLIFT HD Model TYPE 5

RAIL BRACKET



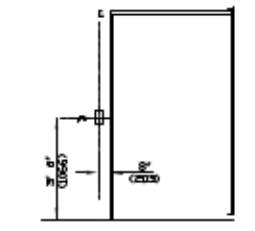
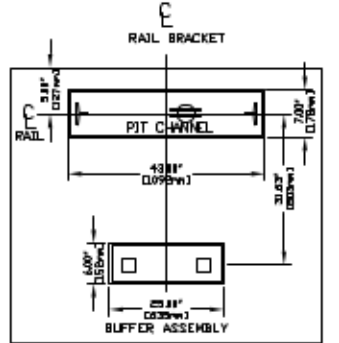
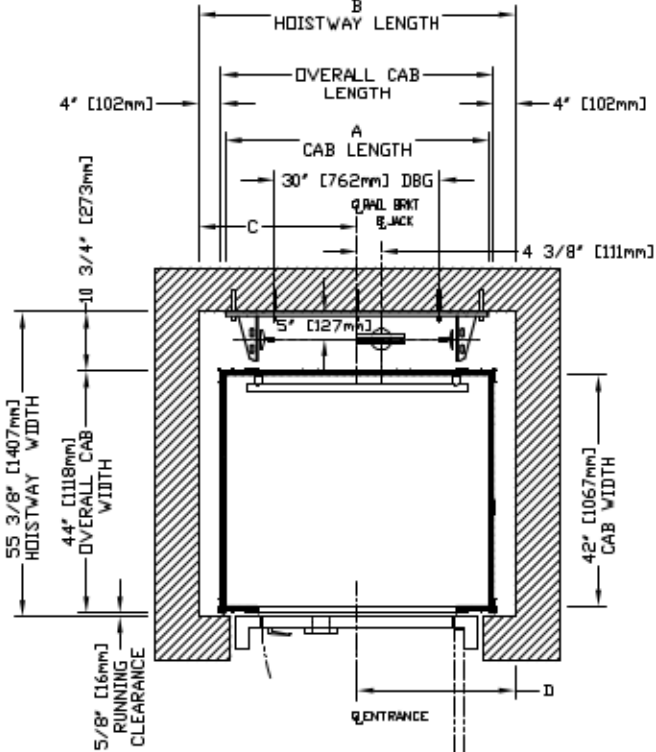
TOP RAIL BRACKET RB3	AT TOP OF HOISTWAY CONSULT YOUR CONCORD REPRESENTATIVE FOR EXACT LOCATION
INTERMEDIATE RAIL BRACKET RB2	48" [1219mm] INTERVALS ABOVE BOTTOM BRACKET
BOTTOM RAIL BRACKET RB1	24" [610mm] ABOVE PIT FLOOR

RAIL FORCES		
*R1	*R2	CAPACITY
355.03lbf.	251.50lbf.	1400 lbs.
304 lbf.	194 lbf.	1000 lbs.
RAIL WEIGHT : 80 lbs / Ft		

R3 NOTE:	
PIT FLOOR TO SUPPORT LOAD OF:	
* (INCLUDES IMPACT)	
CAPACITY	
6.4 Kips	1400 lbs.
5.33Kips	1000 lbs.

FOR TOTAL PULL-OUT FORCE ON RAIL BRACKET, R1 MUST BE DOUBLED eg 608 lbf for 1000 lbs.

PLAN VIEW - PROLIFT HD Model TYPE 5



HALL FIXTURE LOCATION
LEFT HAND AS SHOWN
RIGHT HAND OPPOSITE
I. HALL BUTTON AT ALL FLOORS



HOISTWAY DIMENSION							
A	B		C		D		
CAB LENGTH	HOISTWAY LENGTH		RAIL BRKT CENTER LINE		ENTRANCE CENTER LINE		
mm	mm	Inches	mm	Inches	mm	Inches	
1372	54	1613	63 1/2	806	31 3/4	806	31 3/4
1524	60	1765	69 1/2	883	34 3/4	883	34 3/4

COMMERCIAL WHEELCHAIR LIFT
PROLIFT HD MODEL TYPE 5

CUSTOMER:	DATE:	
PROJECT:	ROOM NO.:	
LOCATION:	COMPETE BY:	
		JOB No.
		DRAWING No.