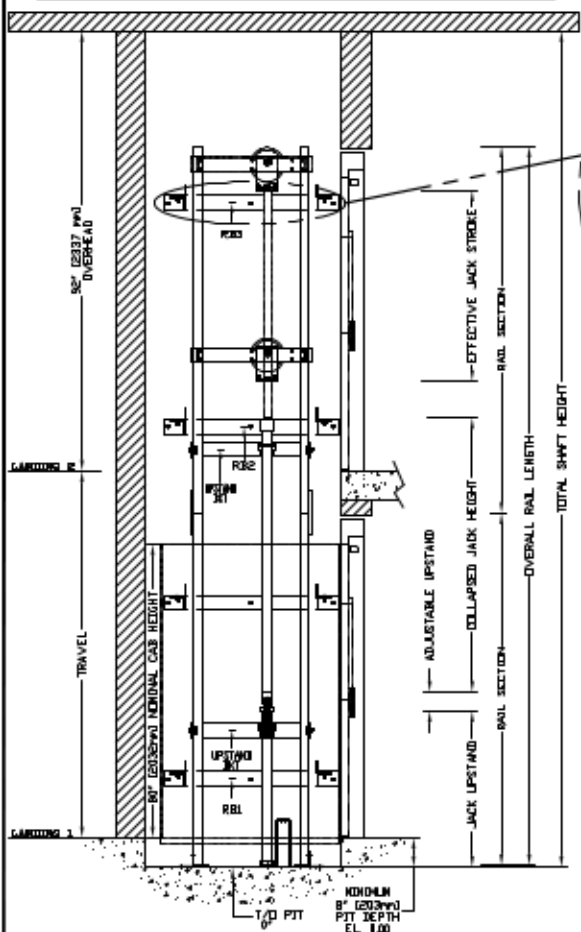
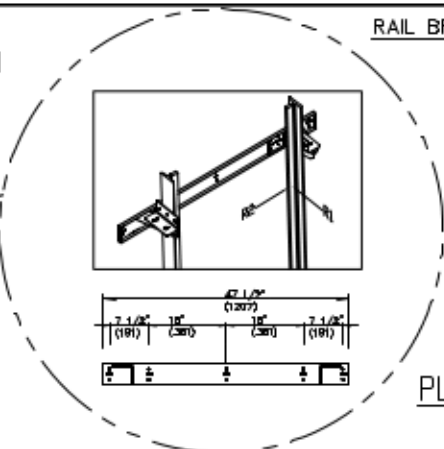


SECTIONAL VIEW - PROLIFT SCL Model TYPE 1R- 36"



RAIL BRACKET

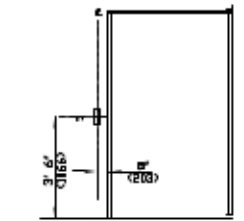
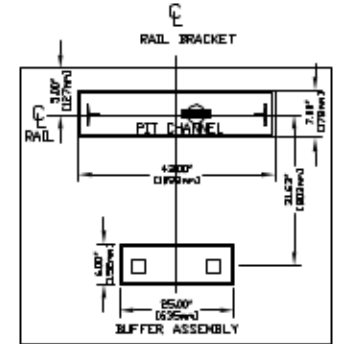
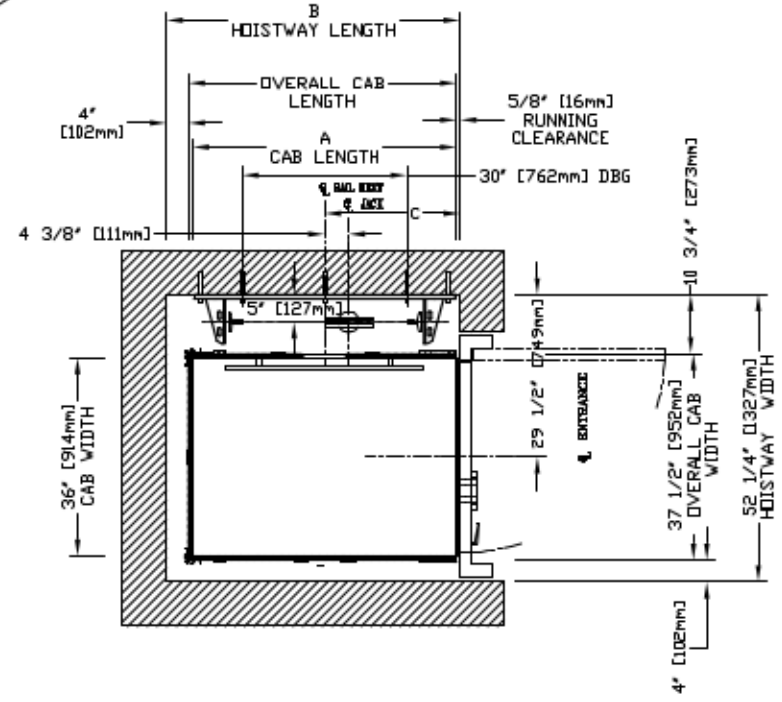


| RAIL FORCES | | |
|----------------------------|------------|-----------|
| *R1 | *R2 | CAPACITY |
| 355.03lbf. | 251.50lbf. | 1400 lbs. |
| 304 lbf. | 194 lbf. | 1000 lbs. |
| RAIL WEIGHT : 8.0 lbs / Ft | | |

| R3 NOTE: | |
|-------------------------------|-----------|
| PIT FLOOR TO SUPPORT LOAD OF: | |
| * (INCLUDES IMPACT) | |
| CAPACITY | |
| 6.4 Kips | 1400 lbs. |
| 5.33Kips | 1000 lbs. |

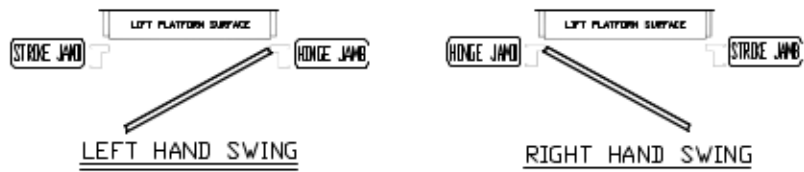
FOR TOTAL FULL-OUT FORCE ON RAIL BRACKET, R1 MUST BE DOUBLED eg. 608 lbf for 1000 lbs.

PLAN VIEW - PROLIFT SCL Model TYPE 1R- 36"



HALL FIXTURE LOCATION
LEFT HAND AS SHOWN
RIGHT HAND OPPOSITE
1 HALL BUTTON AT ALL FLOORS

| | |
|----------------------------------|---|
| TOP RAIL BRACKET RB3 | AT TOP OF HOISTWAY CONSULT YOUR CONCORD REPRESENTATIVE FOR EXACT LOCATION |
| INTERMEDIATE RAIL BRACKET RB2 | 48" [1219mm] INTERVALS ABOVE BOTTOM BRACKET |
| BOTTOM RAIL BRACKET RB1 | 24" [610mm] ABOVE PIT FLOOR |



HOISTWAY DIMENSION

| A CAB LENGTH | | B HOISTWAY LENGTH | | C RAIL BRKT CENTER LINE | |
|-----------------|--------|----------------------|--------|----------------------------|--------|
| mm | Inches | mm | Inches | mm | Inches |
| 1219 | 48 | 1356 | 53 3/8 | 635 | 25 |
| 1372 | 54 | 1508 | 59 3/8 | 711 | 28 |
| 1524 | 60 | 1661 | 65 3/8 | 787 | 31 |

CUSTOMER: _____ DATE: _____
PROJECT: _____
LOCATION: _____

SAVARIA

BOOK NO. _____ SHEET NO. _____
DATE: _____