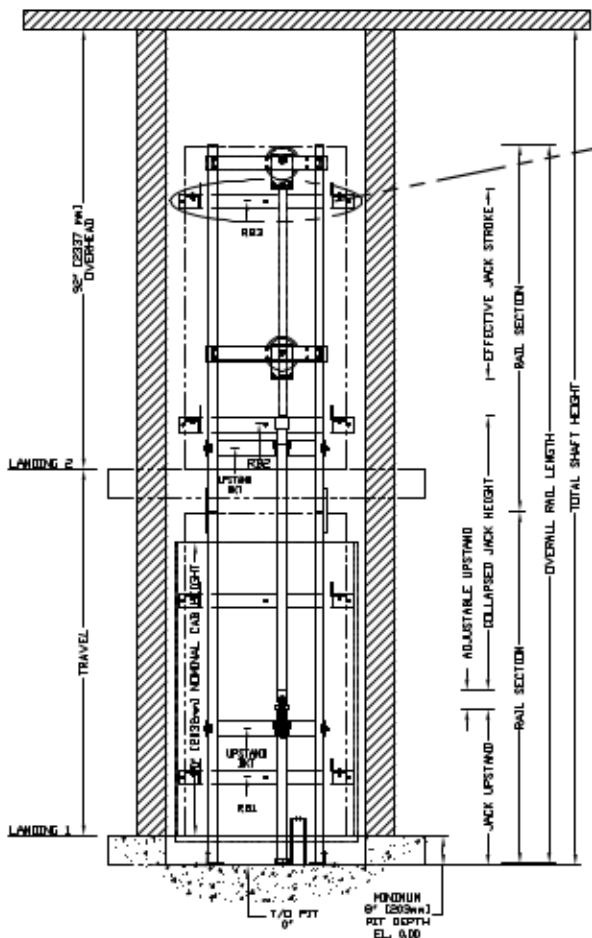
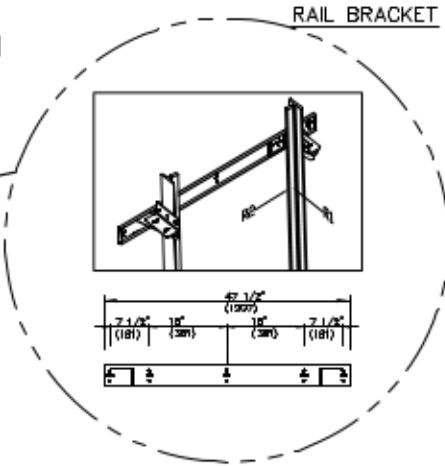


SECTIONAL VIEW - PROLIFT SCL Model TYPE 5



RAIL BRACKET



RAIL FORCES

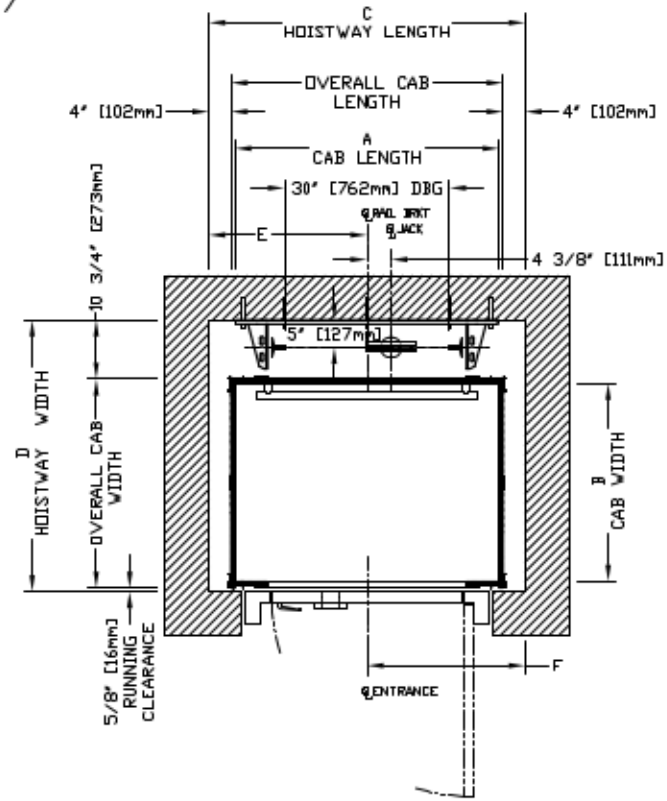
*R1	*R2	CAPACITY
355.03lbf.	251.50lbf.	1400 lbs.
304 lbf.	194 lbf.	1000 lbs.
RAIL WEIGHT : 8.0 lbc / ft		

R3 NOTE:
PIT FLOOR TO SUPPORT LOAD OF:
* (INCLUDES IMPACT)

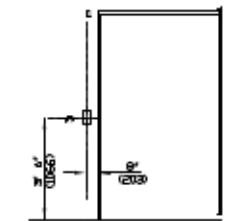
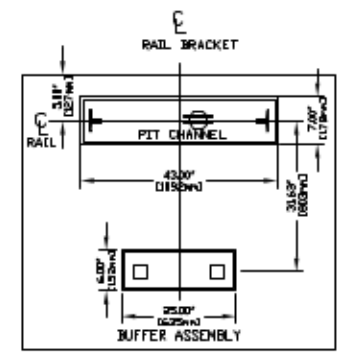
CAPACITY	
6.4 Kips	1400 lbs.
5.33Kips	1000 lbs.

FOR TOTAL PULL-OUT FORCE ON RAIL BRACKET, R1 MUST BE DOUBLED eg 608 lbf for 1000 lbs.

PLAN VIEW - PROLIFT SCL Model TYPE 5



TOP RAIL BRACKET RB3	AT TOP OF HOISTWAY CONSULT YOUR CONCRD REPRESENTATIVE FOR EXACT LOCATION
INTERMEDIATE RAIL BRACKET RB2	48" [1219mm] INTERVALS ABOVE BOTTOM BRACKET
BOTTOM RAIL BRACKET RB1	24" [610mm] ABOVE PIT FLOOR



HALL FIXTURE LOCATION
LEFT HAND AS SHOWN
RIGHT HAND OPPOSITE
I. HALL BUTTON AT ALL FLOORS



HOISTWAY DIMENSION

A CAB LENGTH		B CAB WIDTH		C HOISTWAY LENGTH		D HOISTWAY WIDTH		E RAIL BRKT CENTER LINE		F ENTRANCE CENTER LINE	
mm	Inches	mm	Inches	mm	Inches	mm	Inches	mm	Inches	mm	Inches
1219	48	914	36	1461	57 1/2	1254	49 3/8	730	28 3/4	730	28 3/4
1372	54	914	36	1613	63 1/2	1254	49 3/8	806	31 3/4	806	31 3/4
1524	60	914	36	1765	69 1/2	1254	49 3/8	883	34 3/4	883	34 3/4
1219	48	1067	42	1461	57 1/2	1407	55 3/8	730	28 3/4	730	28 3/4

COMMERCIAL WHEELCHAIR LIFT
PROLIFT SCL MODEL TYPE 5

CUSTOMER:	DATE:		
PROJECT:	ISSUE NO:		
LOCATION:	DATE/REV:		
		REV No.	SHEET No.