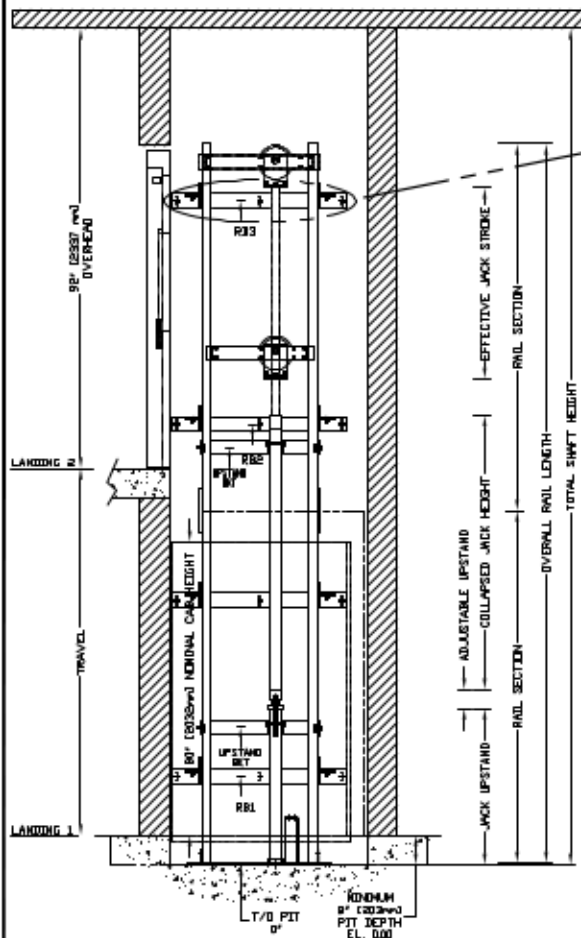
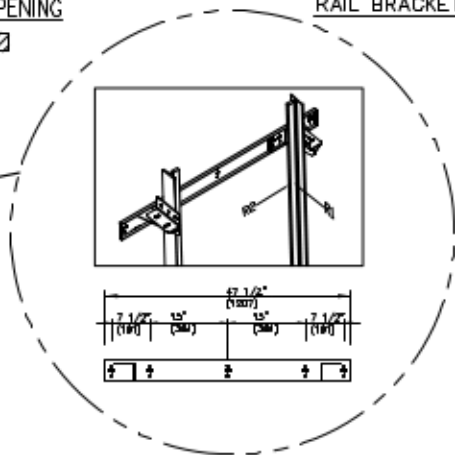


SECTIONAL VIEW - PROLIFT SCL Model TYPE 4-42" OPENING



RAIL BRACKET



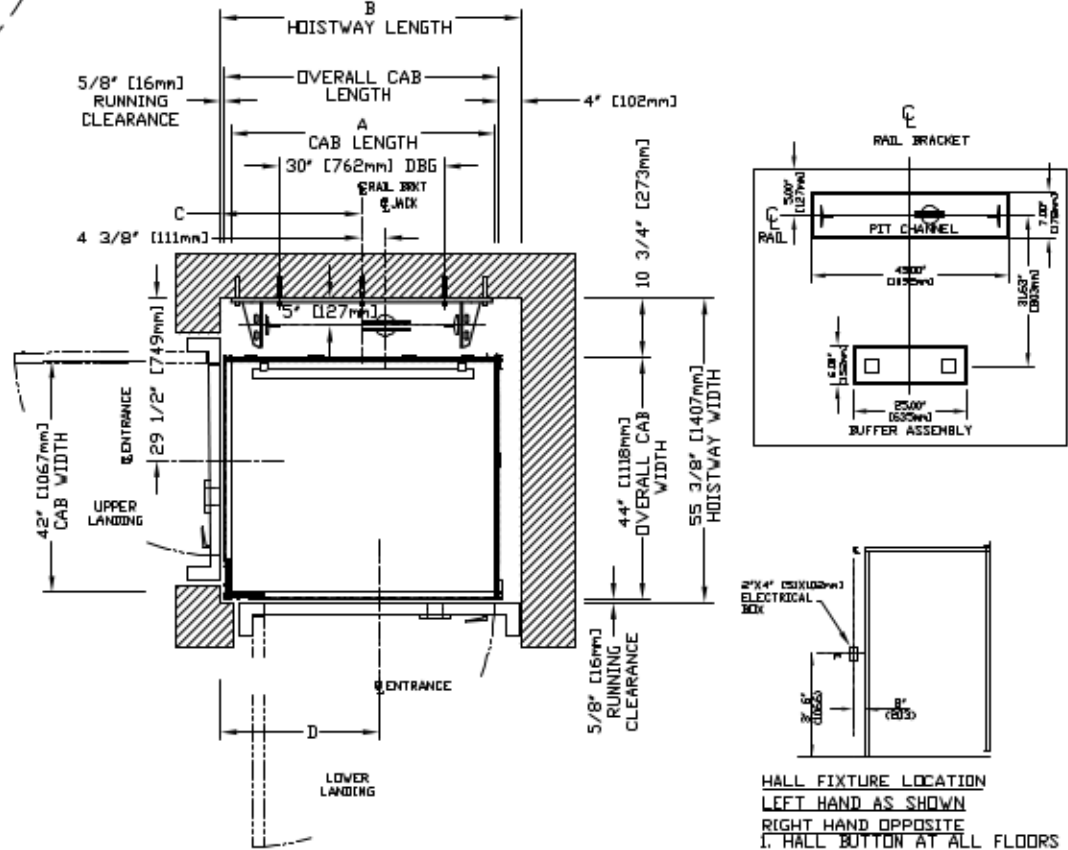
RAIL FORCES		
*R1	*R2	CAPACITY
355.03lbf.	251.50lbf.	1400 lbs.
304 lbf.	194 lbf.	1000 lbs.
RAIL WEIGHT : 8.0 lbs / Ft		

R3 NOTE:	
PIT FLOOR TO SUPPORT LOAD OF:	
* (INCLUDES IMPACT)	
CAPACITY	
6.4 Kips	1400 lbs.
5.33Kips	1000 lbs.

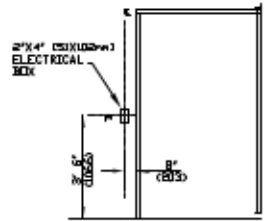
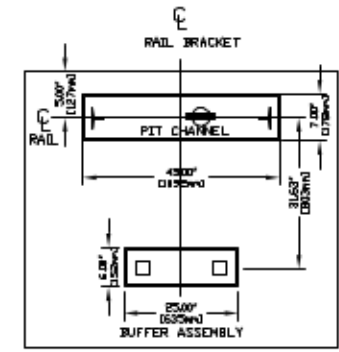
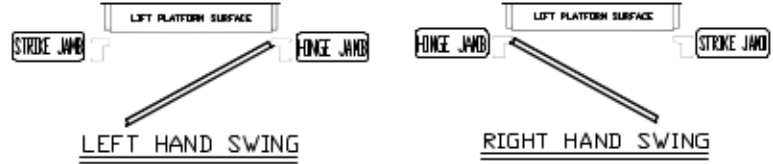
FOR TOTAL PULL-OUT FORCE ON RAIL BRACKET, R1 MUST BE DOUBLED eg. 608 lbf for 1000 lbs.

TOP RAIL BRACKET RB3	AT TOP OF HOISTWAY CONSULT YOUR CONCORD REPRESENTATIVE FOR EXACT LOCATION
INTERMEDIATE RAIL BRACKET RB2	48" [1219mm] INTERVALS ABOVE BOTTOM BRACKET
BOTTOM RAIL BRACKET RB1	24" [610mm] ABOVE PIT FLOOR

PLAN VIEW - PROLIFT SCL Model TYPE 4-42" OPENING



HOISTWAY DIMENSION							
A CAP LENGTH		B HOISTWAY LENGTH		C RAIL BRKT CENTER LINE		D ENTRANCE CENTER LINE	
mm	Inches	mm	Inches	mm	Inches	mm	Inches
1219	48	1387	54 5/8	651	25 5/8	733	28 7/8



HALL FIXTURE LOCATION LEFT HAND AS SHOWN RIGHT HAND OPPOSITE I. HALL BUTTON AT ALL FLOORS