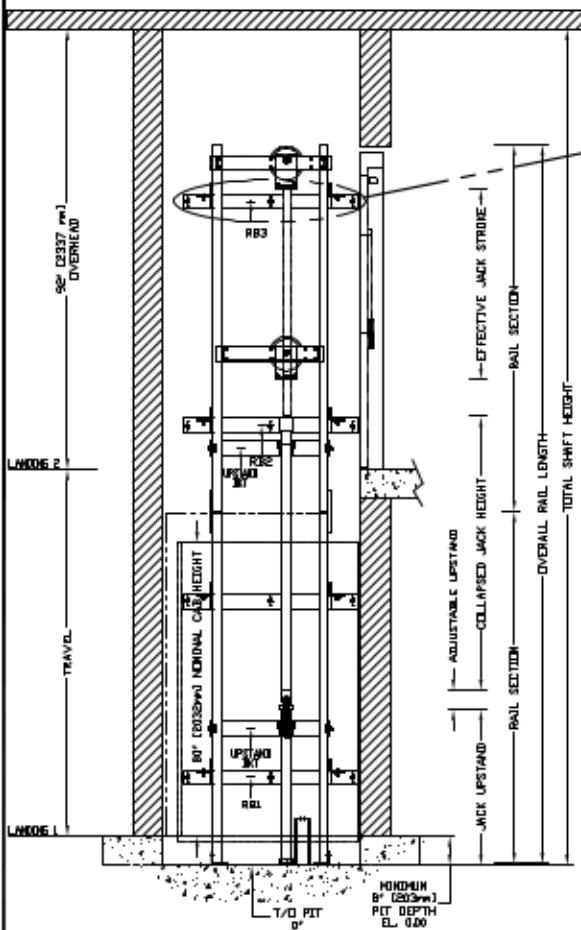
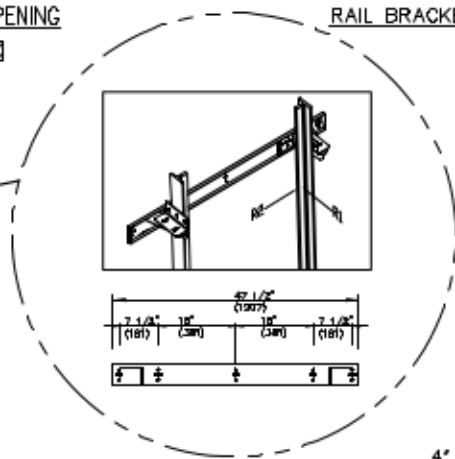


SECTIONAL VIEW - PROLIFT SCL Model TYPE 3-42" OPENING



RAIL BRACKET

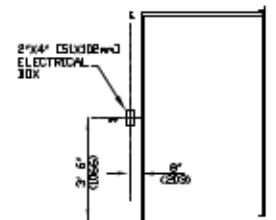
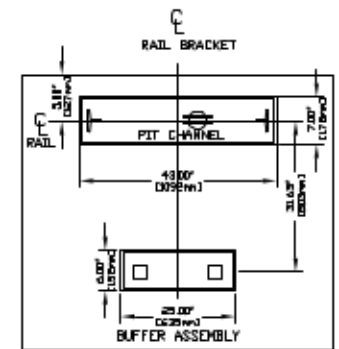
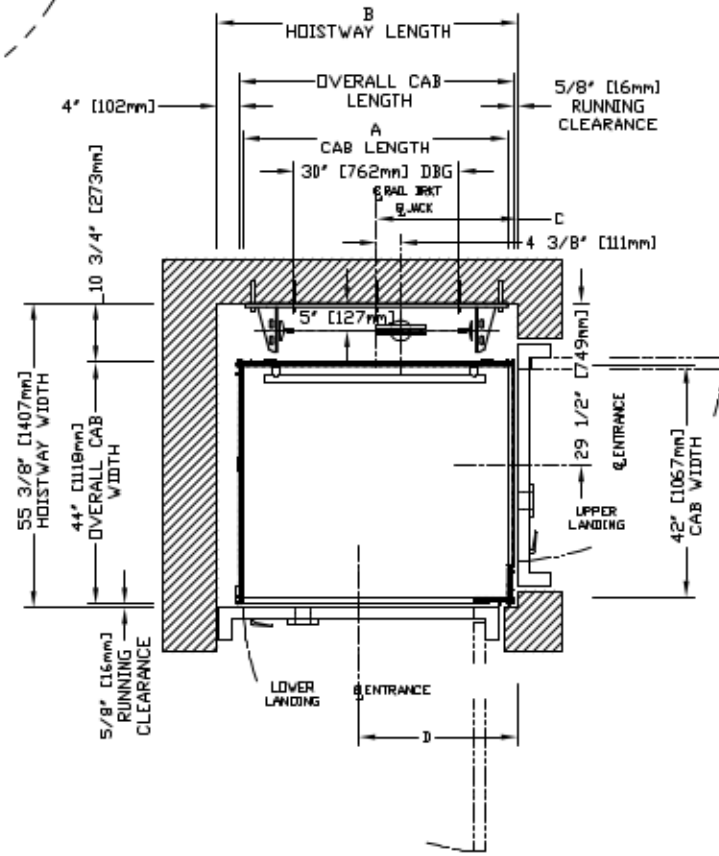


RAIL FORCES		
*R1	*R2	CAPACITY
355.03lbF.	251.50lbF.	1400 lbs.
304 lbF.	194 lbF.	1000 lbs.
RAIL WEIGHT : 8.0 lbs / Ft		

R3 NOTE:	
PIT FLOOR TO SUPPORT LOAD OF:	
* (INCLUDES IMPACT)	
CAPACITY	
6.4 Kips	1400 lbs.
5.33Kips	1000 lbs.

FOR TOTAL PULL-OUT FORCE ON RAIL BRACKET, R1 MUST BE DOUBLED eg 608 lbF for 1000 lbs.

PLAN VIEW - PROLIFT SCL Model TYPE 3-42" OPENING



HALL FIXTURE LOCATION LEFT HAND AS SHOWN RIGHT HAND OPPOSITE I. HALL BUTTON AT ALL FLOORS

TOP RAIL BRACKET RB3	AT TOP OF HOISTWAY CONSULT YOUR CONCORD REPRESENTATIVE FOR EXACT LOCATION
INTERMEDIATE RAIL BRACKET RB2	48" [1219mm] INTERVALS ABOVE BOTTOM BRACKET
BOTTOM RAIL BRACKET RB1	24" [610mm] ABOVE PIT FLOOR



HOISTWAY DIMENSION

A		B		C		D	
CAP LENGTH		HOISTWAY LENGTH		RAIL BRKT CENTER LINE		ENTRANCE CENTER LINE	
mm	Inches	mm	Inches	mm	Inches	mm	Inches
1219	48	1387	54 5/8	651	25 5/8	733	28 7/8

COMMERCIAL WHEELCHAIR LIFT
PROLIFT SCL MODEL TYPE 3-42" OPENING

CUSTOMER:	DATE:
PROJECT:	ISSUE NO.:
LOCATION:	DATE/REV.:

savaria

REV. No. SHEET No.