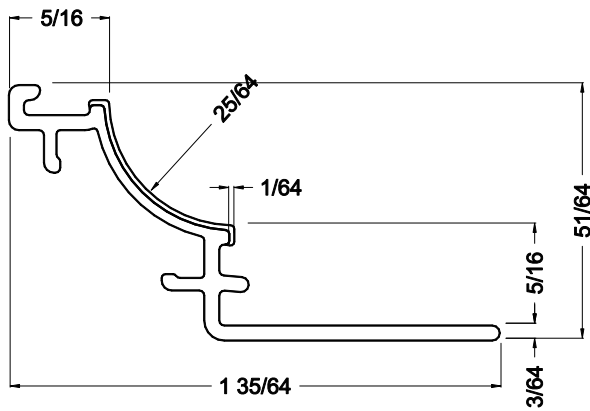
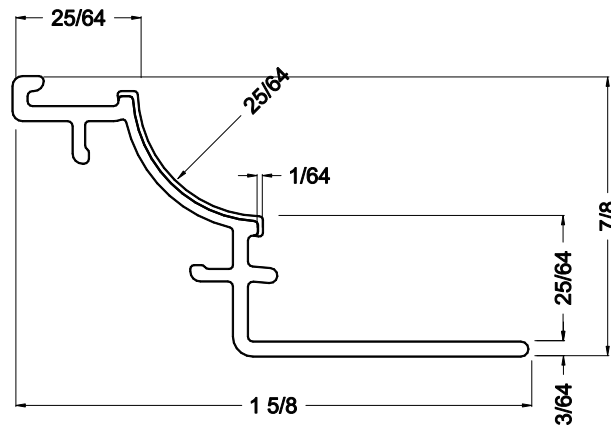


# Schluter® - DILEX-PHK

PHK 80



PHK 100



PHK 125

