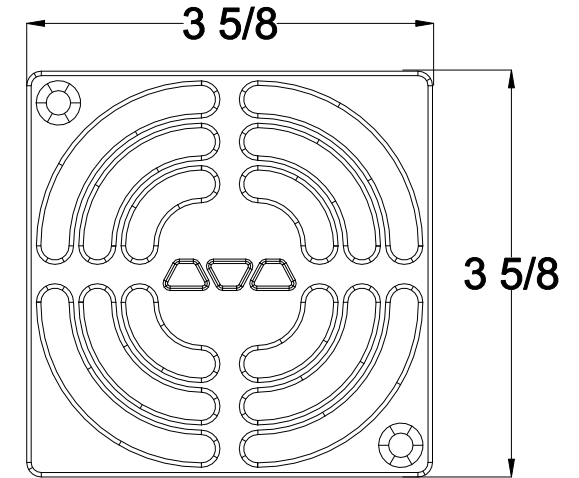
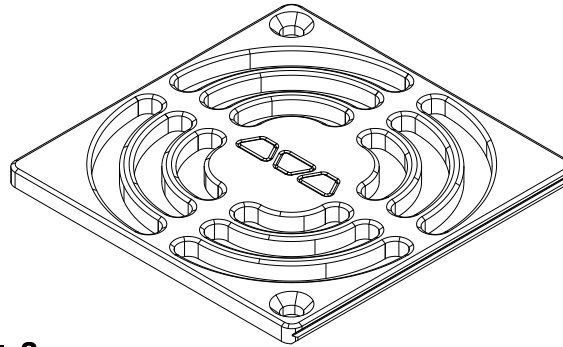
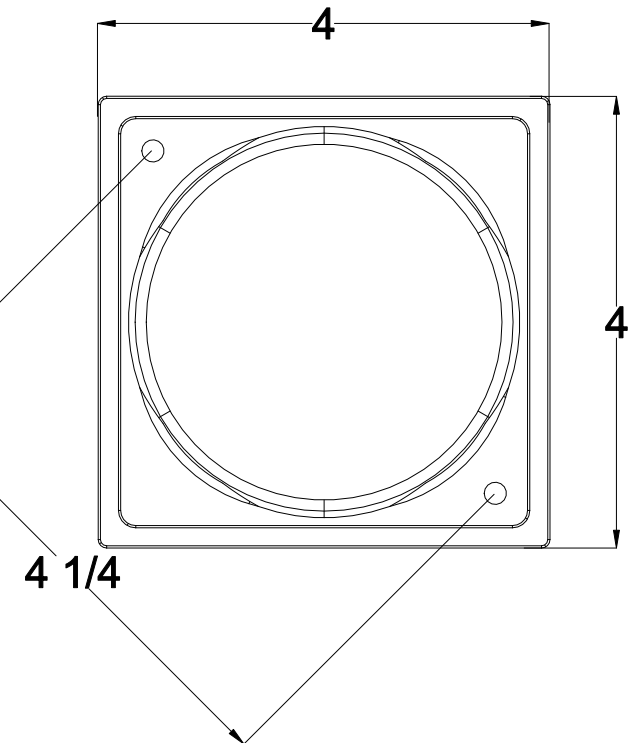
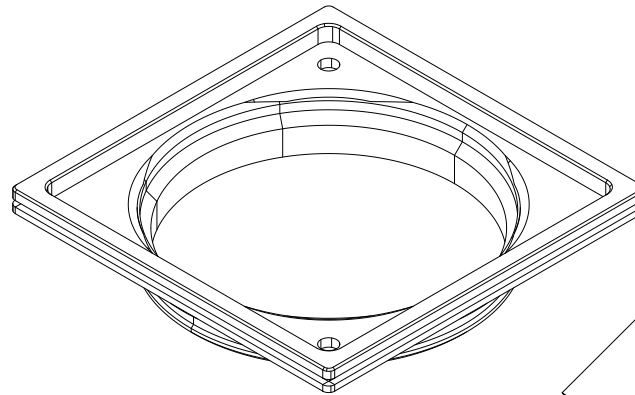
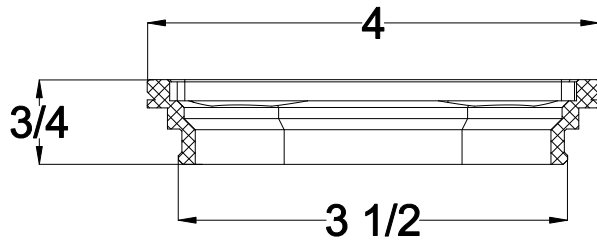


# Schluter® - KERDI-DRAIN

## 4 inch aluminum grate



Flow Through Area = 4.93 inch<sup>2</sup>



Scale: N.T.S.