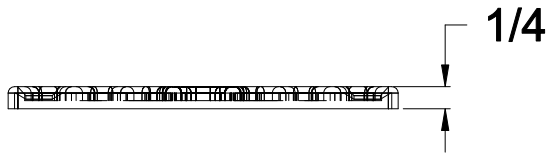
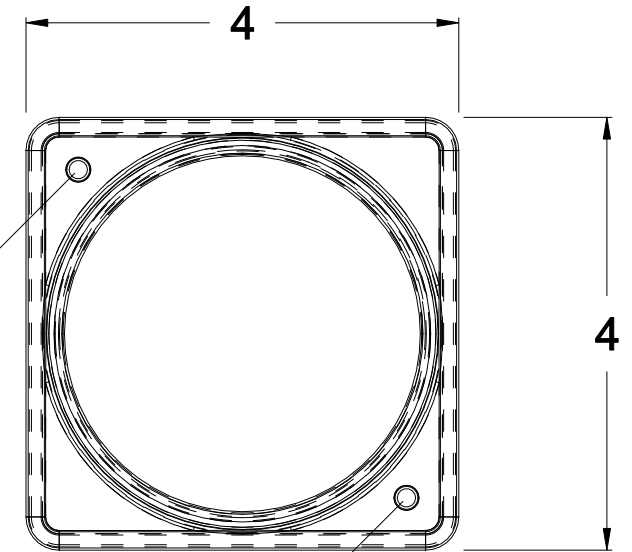
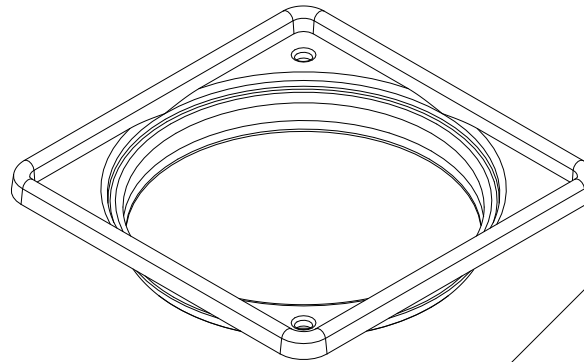
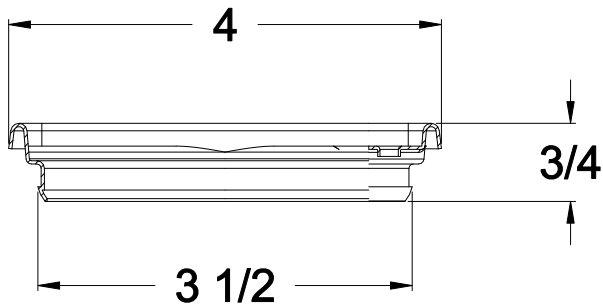
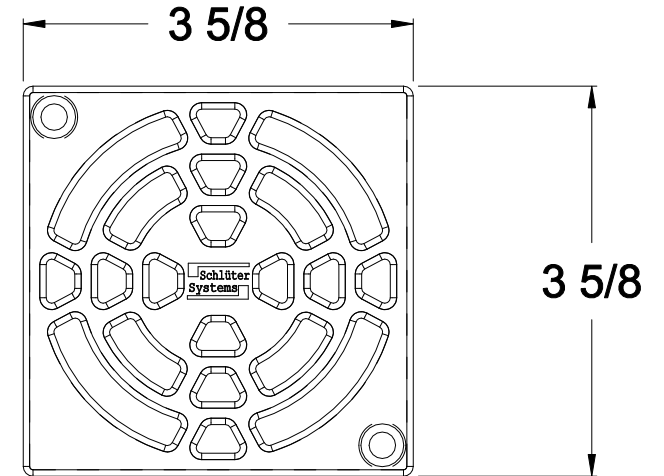
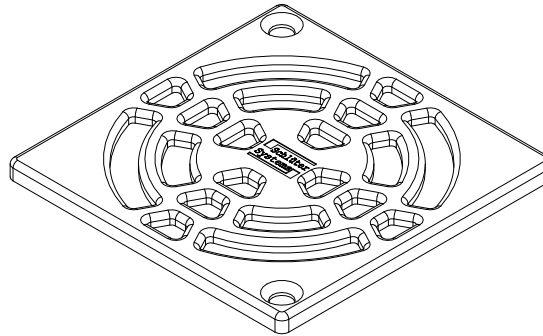


Schluter® - KERDI-DRAIN

4 inch stainless steel grate



Flow Through Area = 3.363 inch²



Scale: N.T.S.