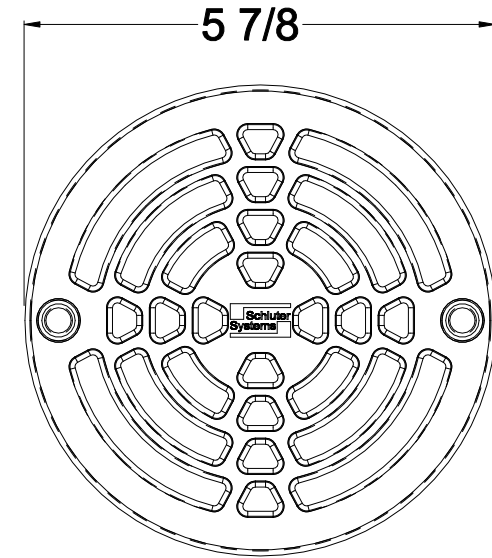
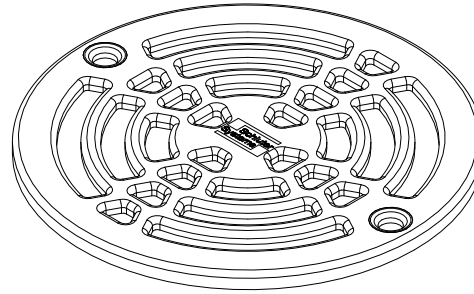
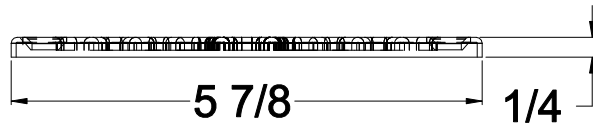
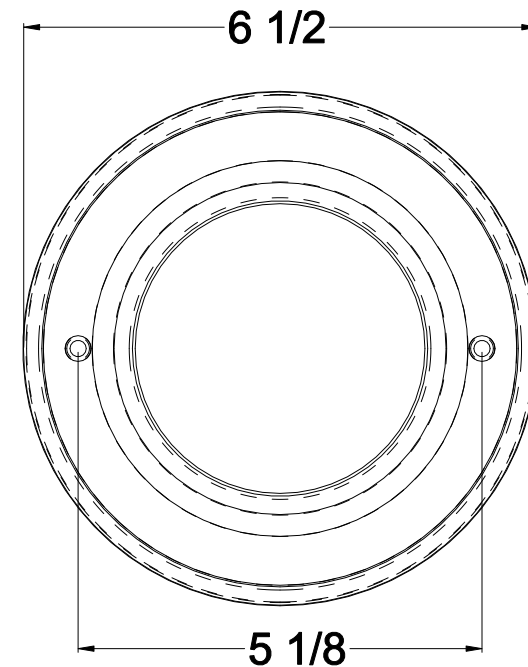
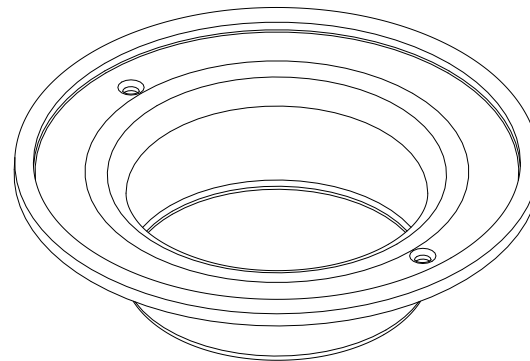
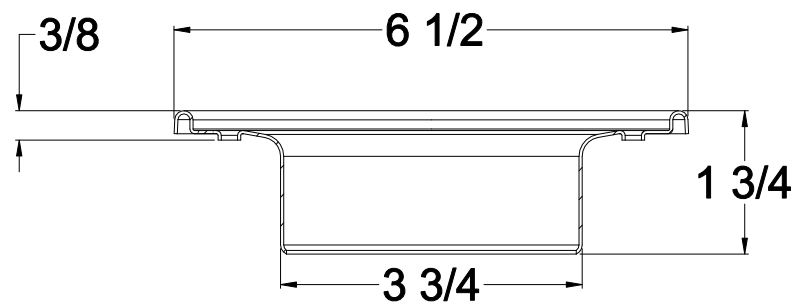


Schluter® - KERDI-DRAIN

6 inch round stainless steel grate



Flow Through Area = 7.776 inch²



Scale: N.T.S.