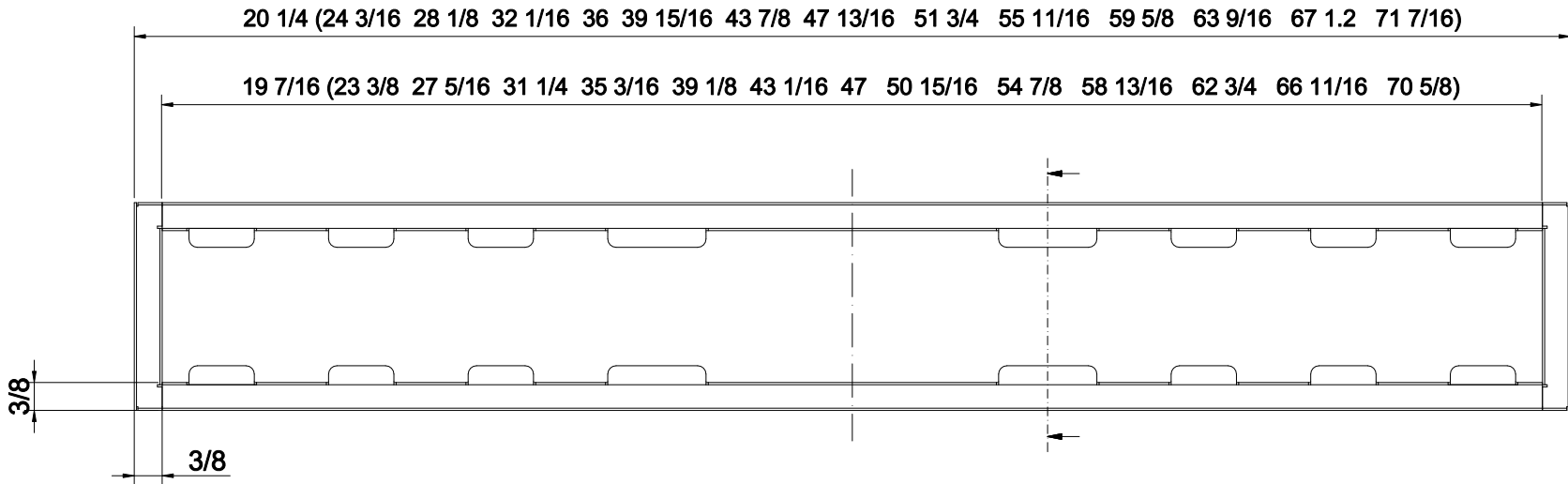


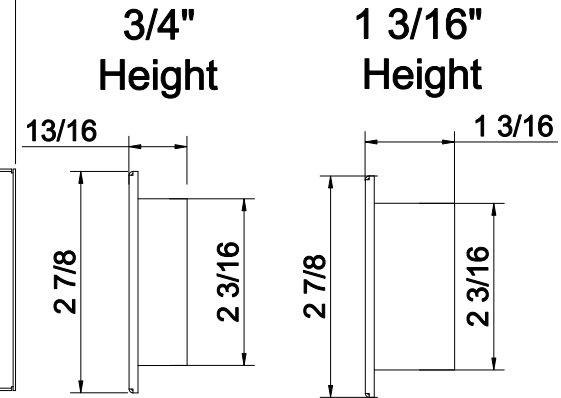
Schluter® - KERDI-LINE

Grate Frame (KLR 19 EB and KLR 30 EB)

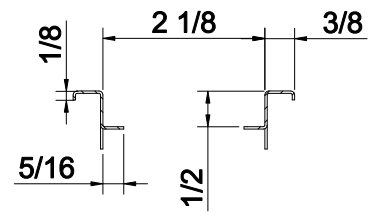
Top view



Cross sections



Side view 3/4" height



Side view 1 3/16" height (only available in sizes 50 to 120)

