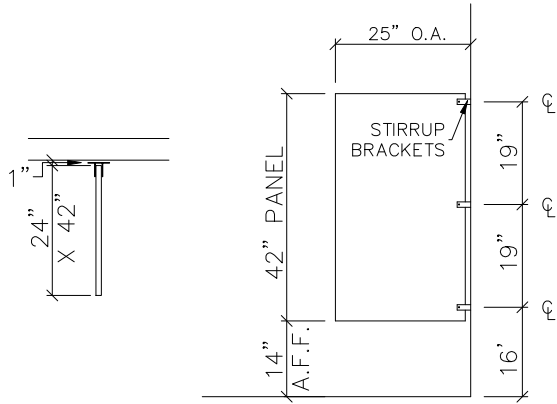
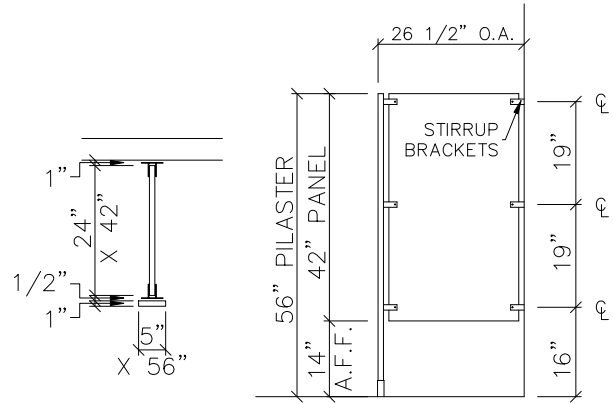


24" x 42" Urinal Screen Elevations



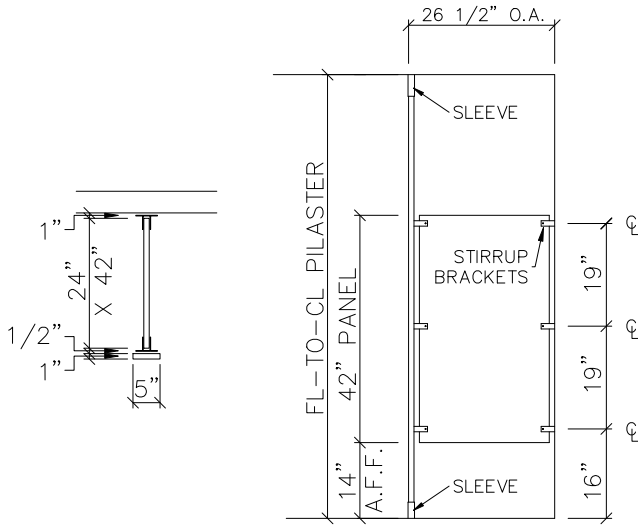
Type A
Check Box

WALL HUNG



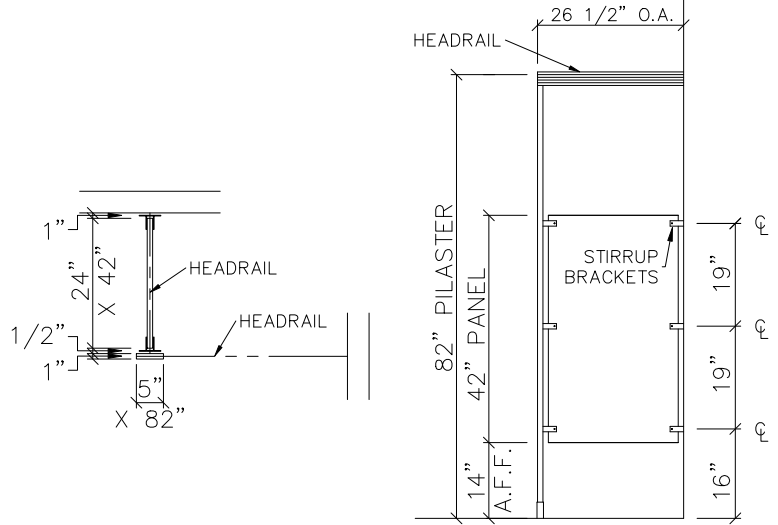
Type B
Check Box

FLOOR SUPPORTED



Type C
Check Box

FLOOR TO CEILING



Type D
Check Box

HEADRAIL BRACED

C:\DOCUME~1\mmoraski\LOCALS~1\Temp\A\C73E32FA4.dib

PLEASE VERIFY:

PLEASE CHECK ONE OF THE ABOVE BOXES FOR THE APPROPRIATE STYLE SCREEN YOU ARE REQUESTING.

NOTES:

1. STANDARD SCREENS SIZES ARE 24" X 42" & 18" X 42" ALTHOUGH CUSTOM SIZES ARE AVAILBLE UPON REQUEST.
2. ANY SCREEN OVER 30" IS RECOMMENDED TO HAVE A FLOOR SUPPORTED PILASTER.

STANDARD ELEVATIONS

(Drawings are not to scale)

- *Urinal Screens/ Privacy Screens
- *Stirrup Brackets

Note: "Job-Specific Specifications" for all orders are located on the top of the shop drawing layouts.

CUSTOMER NOTES:

*** HEATSINC NOTE:** Heatsinc is to be placed on the bottom of the panels & doors. (If specified)