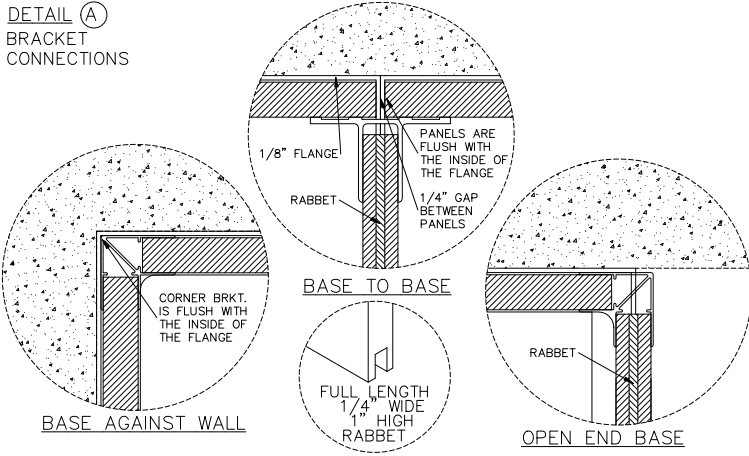
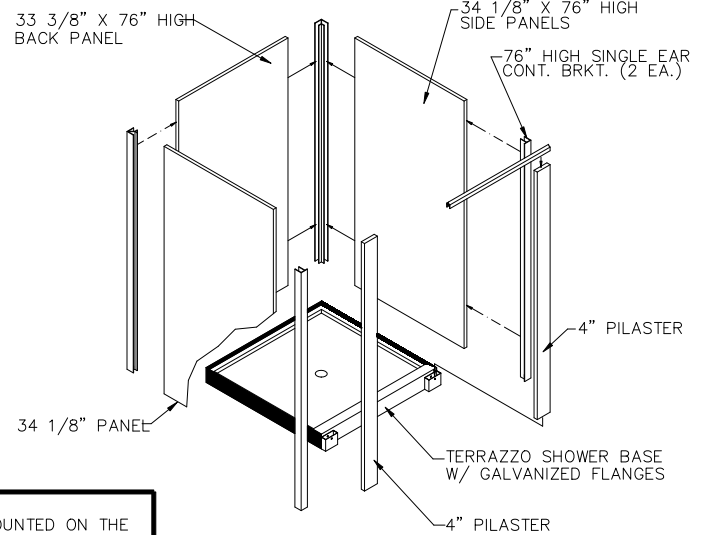
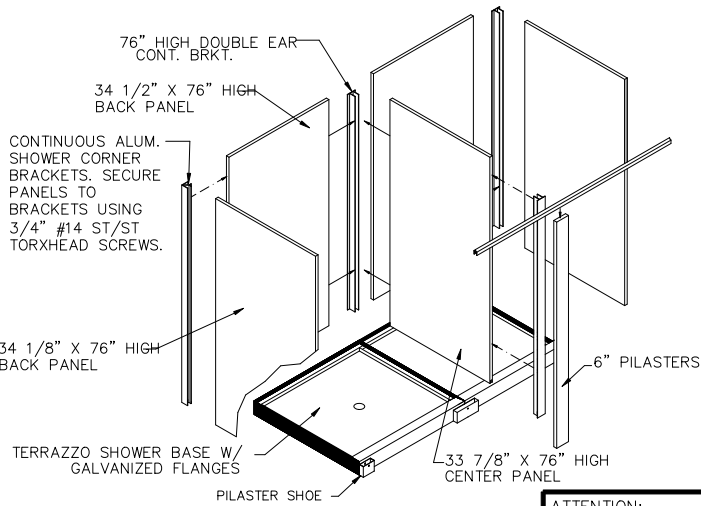
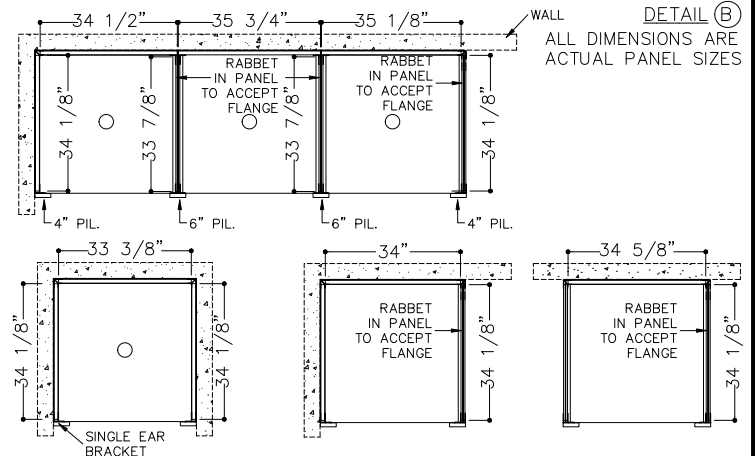


DETAIL (A)
BRACKET
CONNECTIONS



DETAIL (B)
ALL DIMENSIONS ARE
ACTUAL PANEL SIZES



ATTENTION:
ALL PANELS ARE TO BE MOUNTED ON THE INSIDE OF THE FLANGE, ATOP OF THE BASE.



801 COREY ST., MIDDIC, PA. 18507 (570)348-0997

CUSTOMER & JOB NAME:

MULTIPLE BASE CONNECTIONS
36" X 36" GALV. FLANGED BASE

NOTES:

1. REFER TO DETAIL (A) FOR ALL BRACKET CONNECTIONS.
2. REFER TO DETAIL (B) FOR PANEL SIZES & DETAILS.
3. BASES NOT SUPPLIED BY SANTANA-COMTEC-CAPITOL