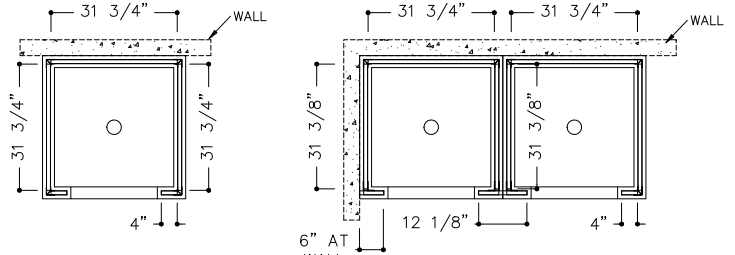
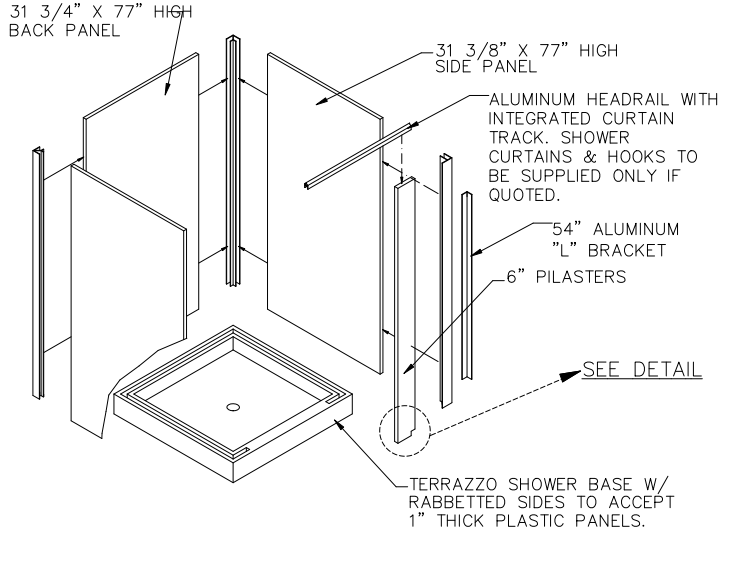
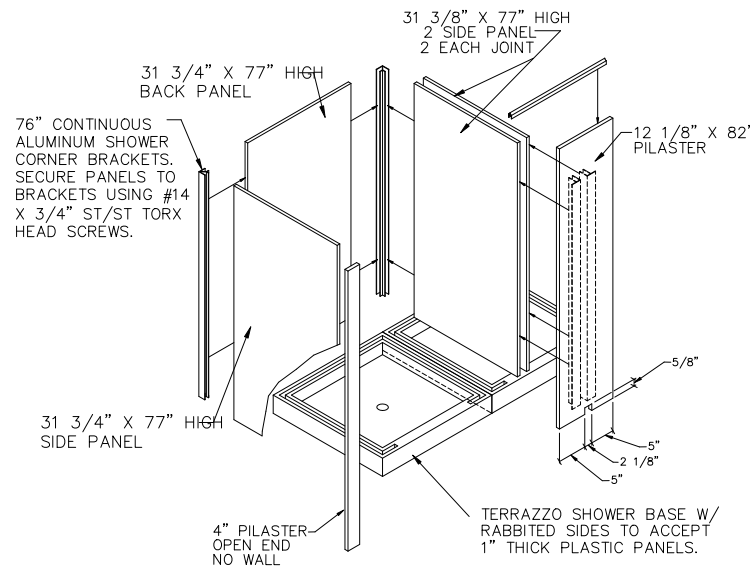


WALL CONNECTION DETAIL



NOTE: PILASTER SIZES DIFFER FROM BASE TO BASE DUE TO POCKET SIZE.



ATTENTION:
ALL PANELS ARE TO BE MOUNTED ON THE INSIDE OF THE RABBET IN THE BASE.



801 COREY ST., MIDDIC, PA. 18507 (570)348-0997

CUSTOMER & JOB NAME:
MULTIPLE BASE CONNECTIONS
36" X 36" RABBETTED BASE

NOTES:
1. BASES NOT SUPPLIED BY SANTANA-COMTEC-CAPITOL