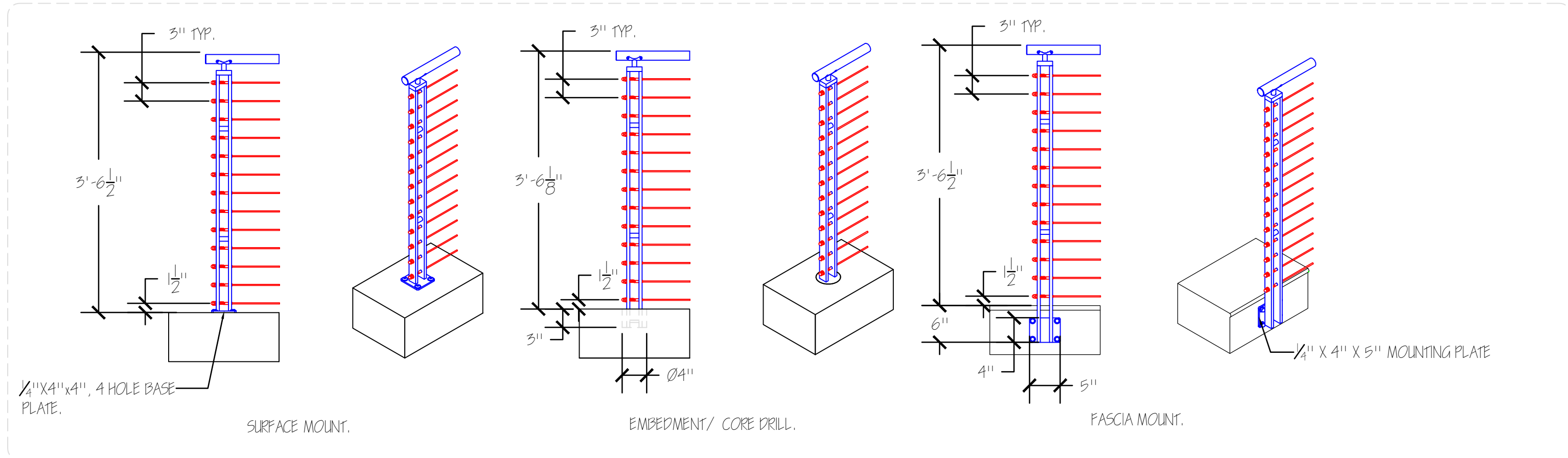
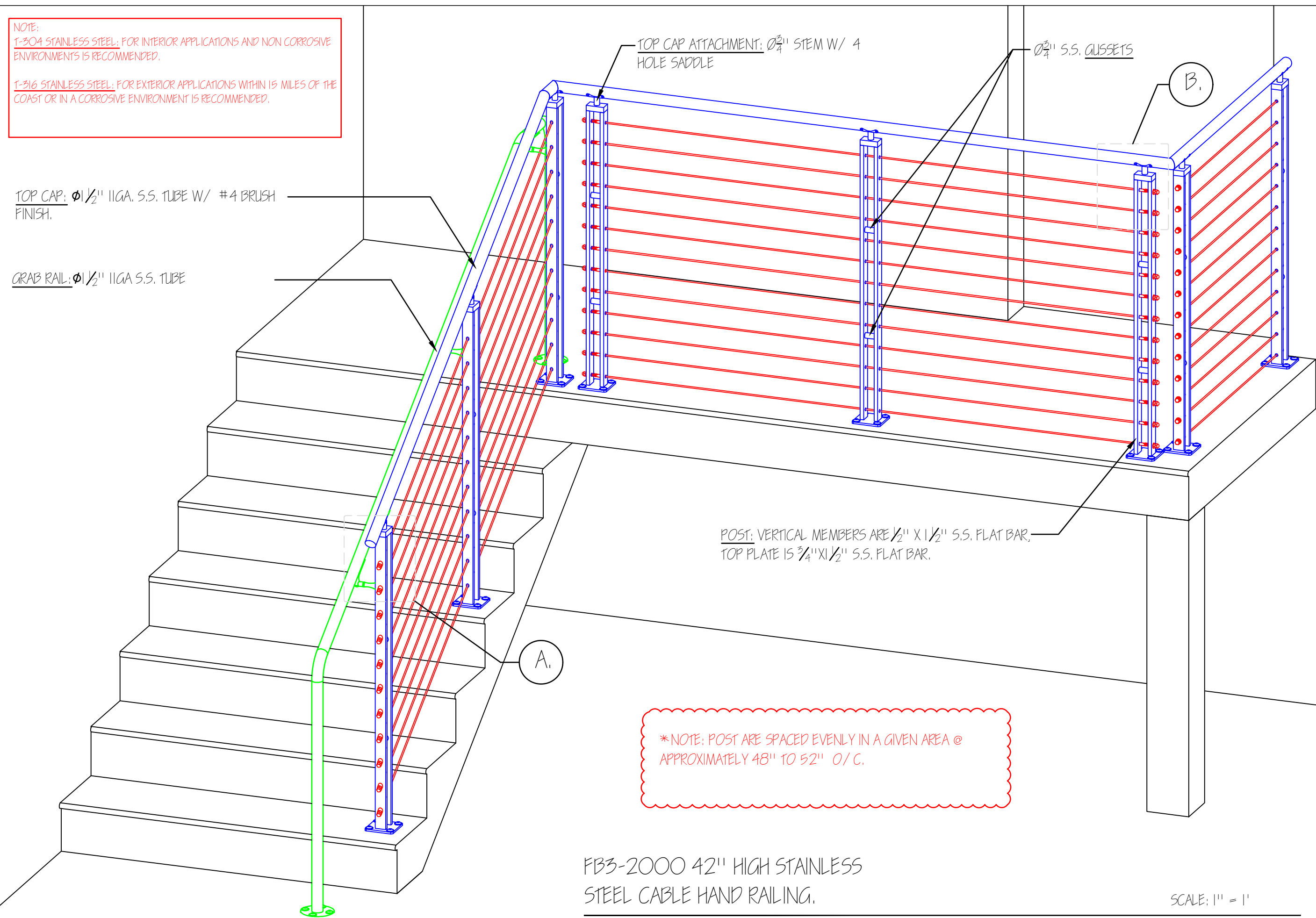


NOTE:  
 1-304 STAINLESS STEEL: FOR INTERIOR APPLICATIONS AND NON CORROSIVE ENVIRONMENTS IS RECOMMENDED.  
 1-316 STAINLESS STEEL: FOR EXTERIOR APPLICATIONS WITHIN 15 MILES OF THE COAST OR IN A CORROSIVE ENVIRONMENT IS RECOMMENDED.

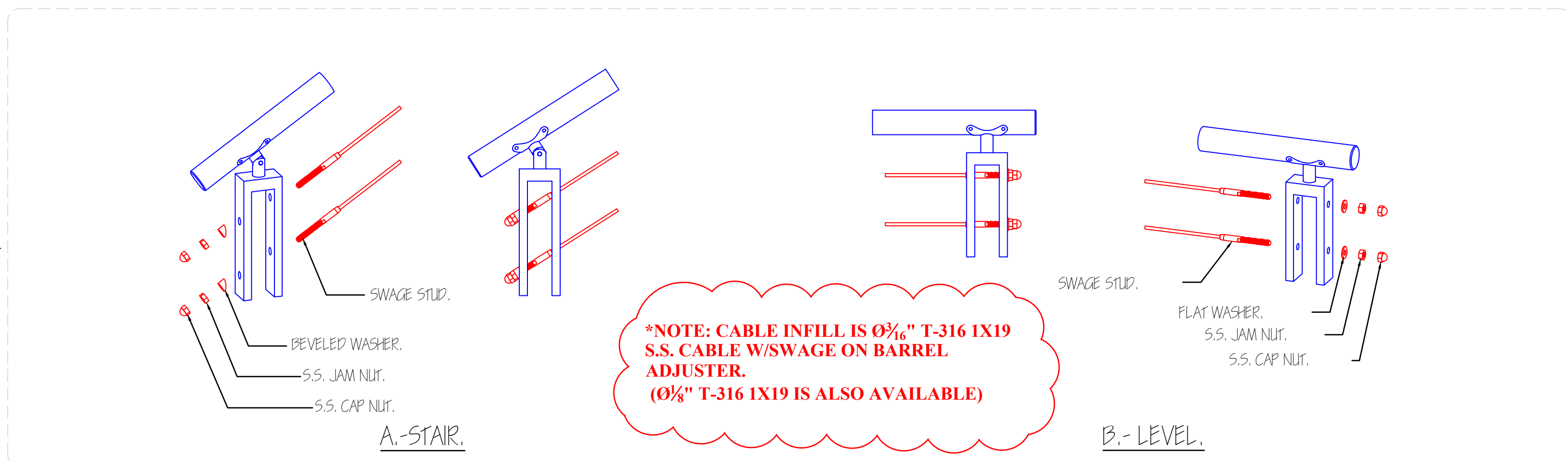
TOP CAP:  $\frac{1}{2}$ " IIGA. S.S. TUBE W/ #4 BRUSH FINISH.

GRAB RAIL:  $\frac{1}{2}$ " IIGA S.S. TUBE



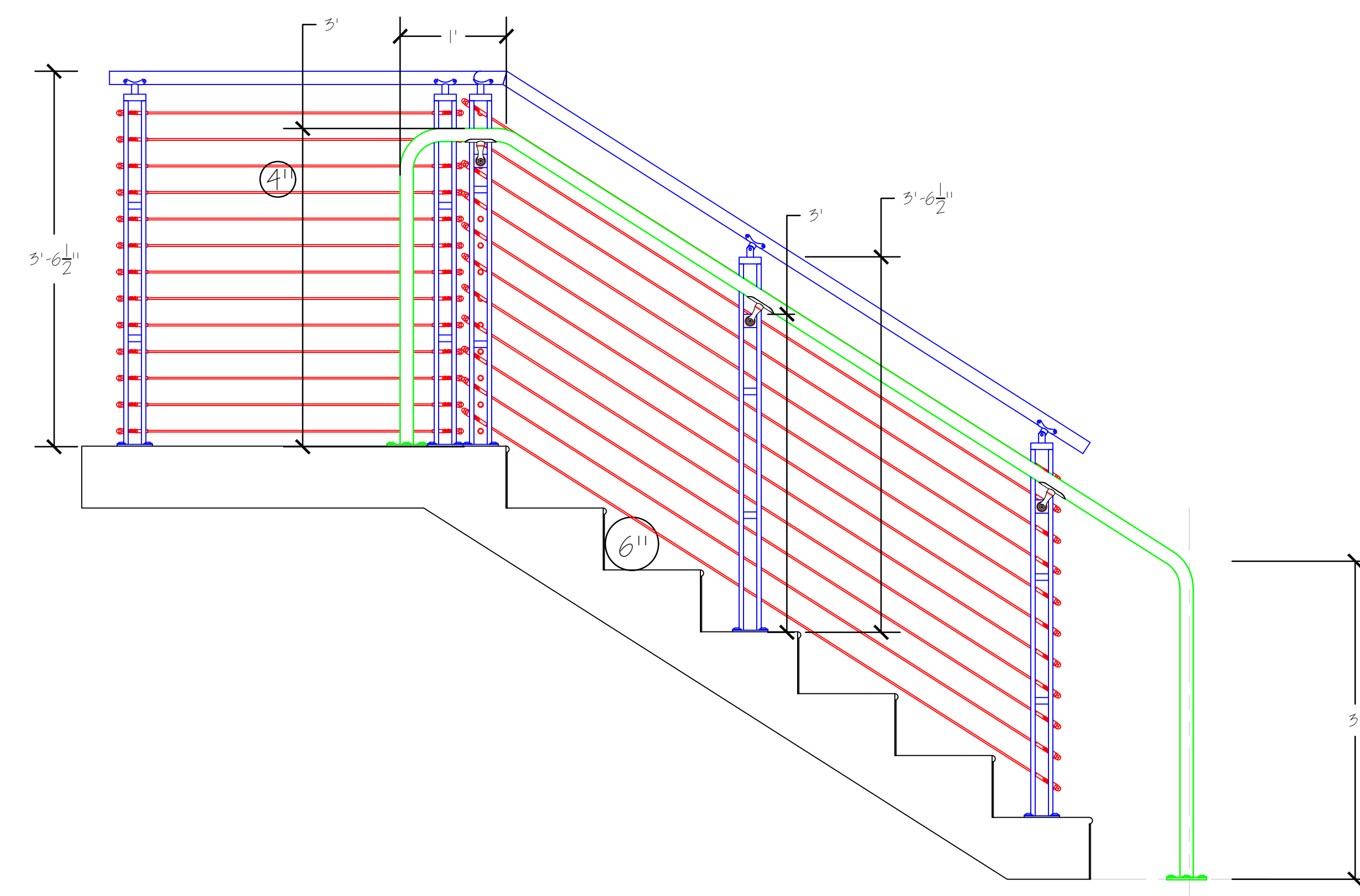
FB3-2000 TYPICAL MOUNTING OPTIONS.

SCALE: 3/4" = 1'



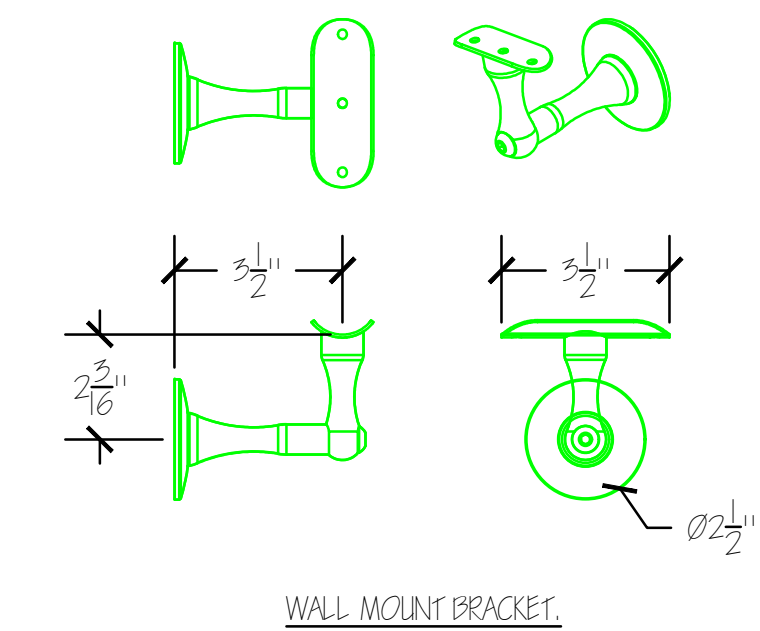
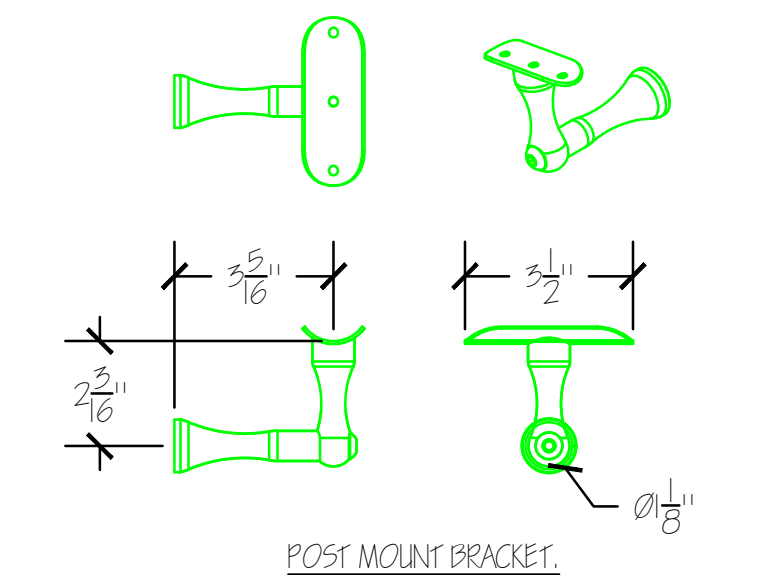
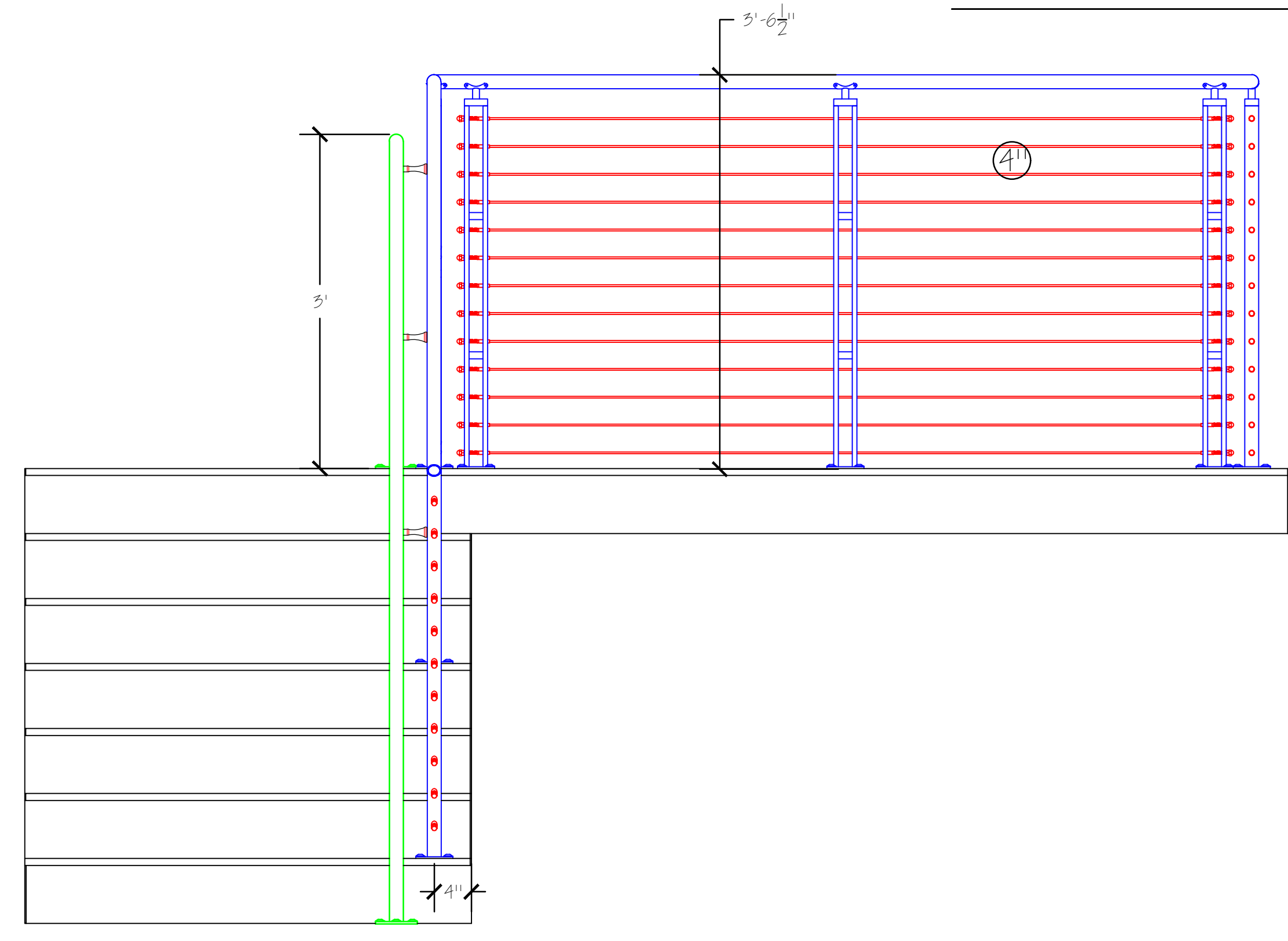
CABLE ATTACHMENT DETAIL.

SCALE: 2" = 1'



FB3-2000 42" STAIR GUARD RAILING.

SCALE: 1" = 1'



GRAB RAIL BRACKET DETAIL.

SCALE: 3/4" = 1'

PRODUCT:  
 FB3-2000 STAINLESS STEEL CABLE RAILING SYSTEM.

CONTENT:  
 STANDARD SYSTEM DETAILS.

DRAWN BY: WINN, T. / PRANZ, J.

DATE: 12-03-2018

PROPRIETARY AND CONFIDENTIAL.  
 THE INFORMATION CONTAINED IN THIS DRAWING IS THE SOLE PROPERTY OF SECO SOUTH INC. ANY REPRODUCTION IN PART OR AS A WHOLE WITHOUT THE WRITTEN PERMISSION OF SECO SOUTH INC. IS PROHIBITED.

211 54TH WAY  
 LARGO, FL 34707  
 PH: 727-556-1924  
 FAX: 727-559-6514  
 SALES@SECOSSOUTH.COM

