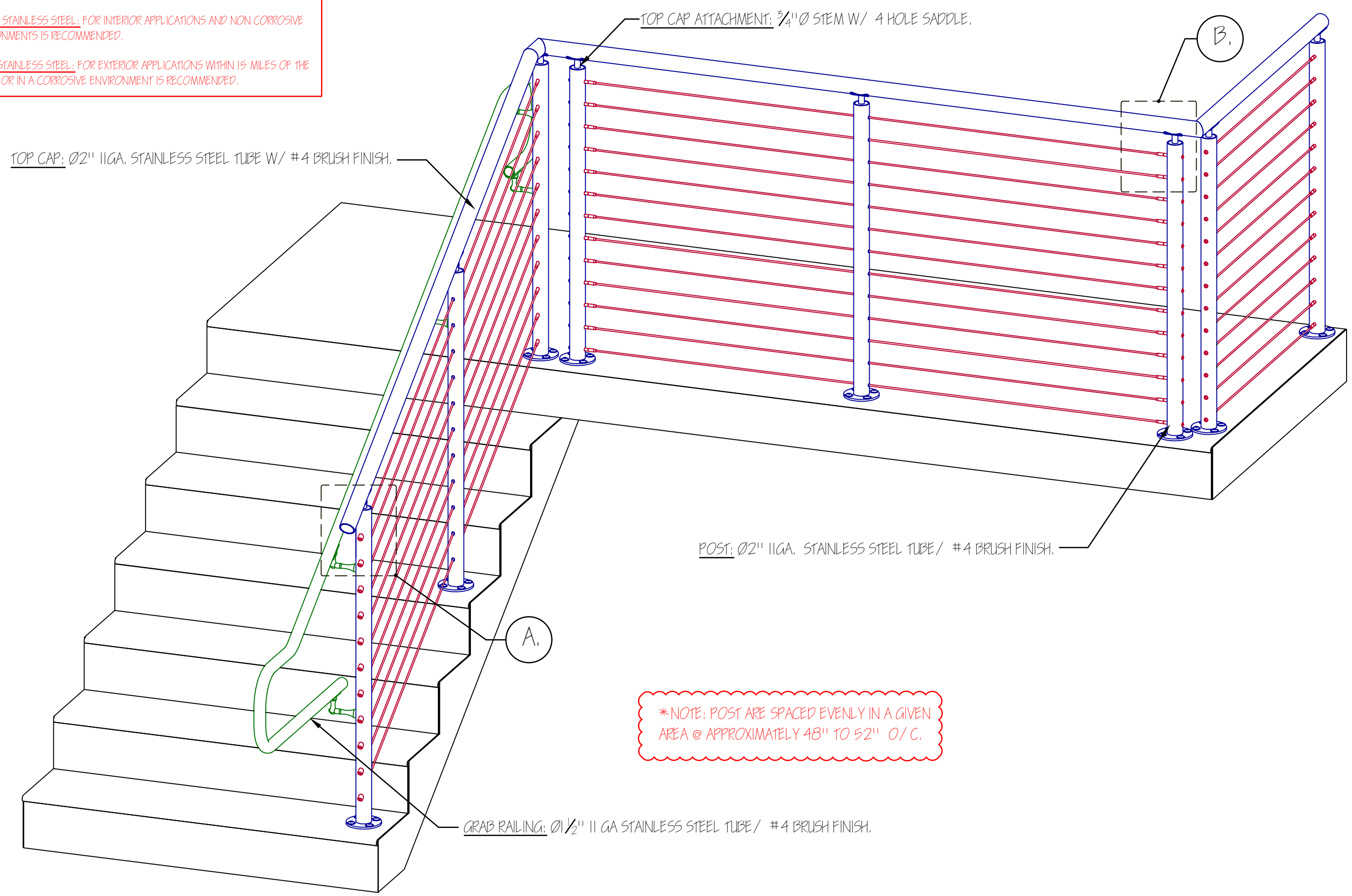
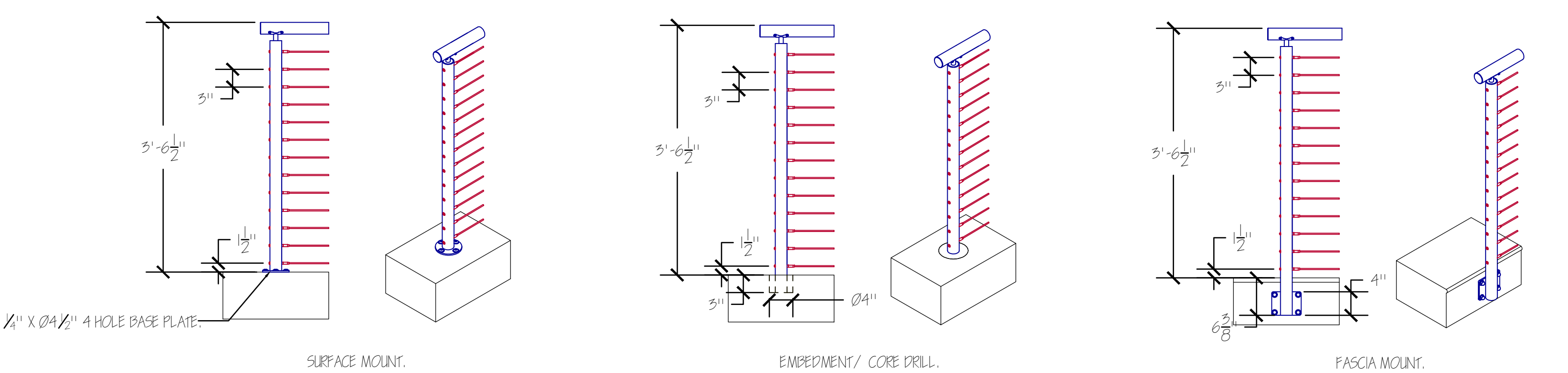


NOTE:
 1-304 STAINLESS STEEL: FOR INTERIOR APPLICATIONS AND NON CORROSIVE ENVIRONMENTS IS RECOMMENDED.
 1-316 STAINLESS STEEL: FOR EXTERIOR APPLICATIONS WITHIN 15 MILES OF THE COAST OR IN A CORROSIVE ENVIRONMENT IS RECOMMENDED.

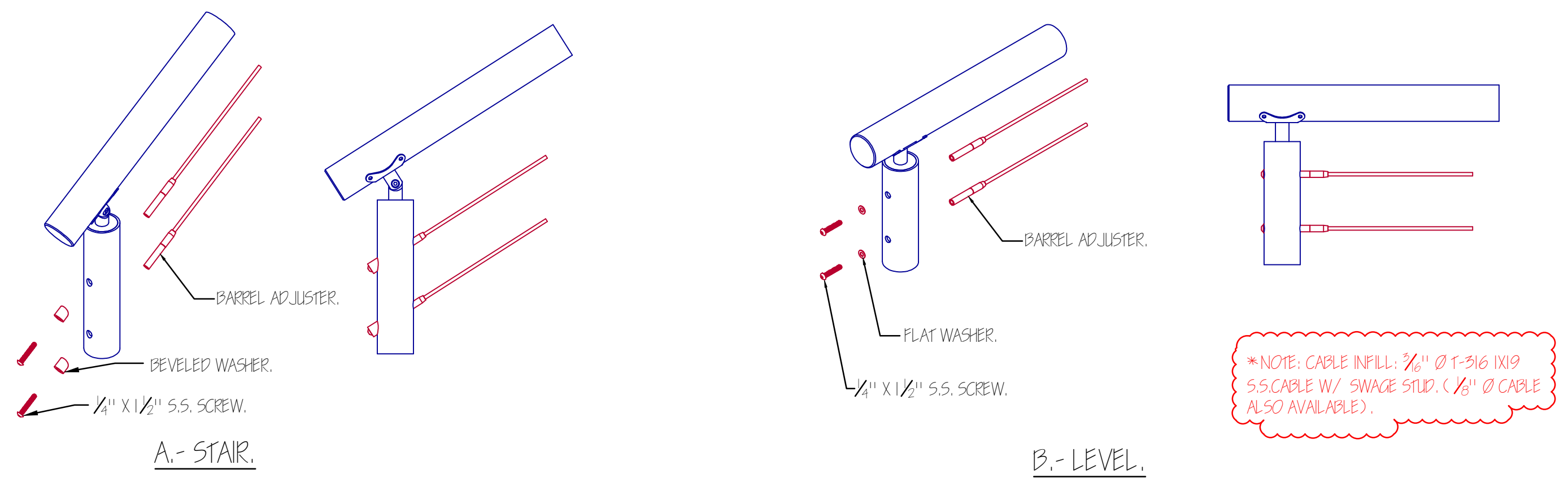


*NOTE: POST ARE SPACED EVENLY IN A GIVEN AREA @ APPROXIMATELY 48" TO 52" O/C.

RPI-2000 42" HIGH STAINLESS STEEL CABLE HAND RAILING. SCALE: 1" = 1'

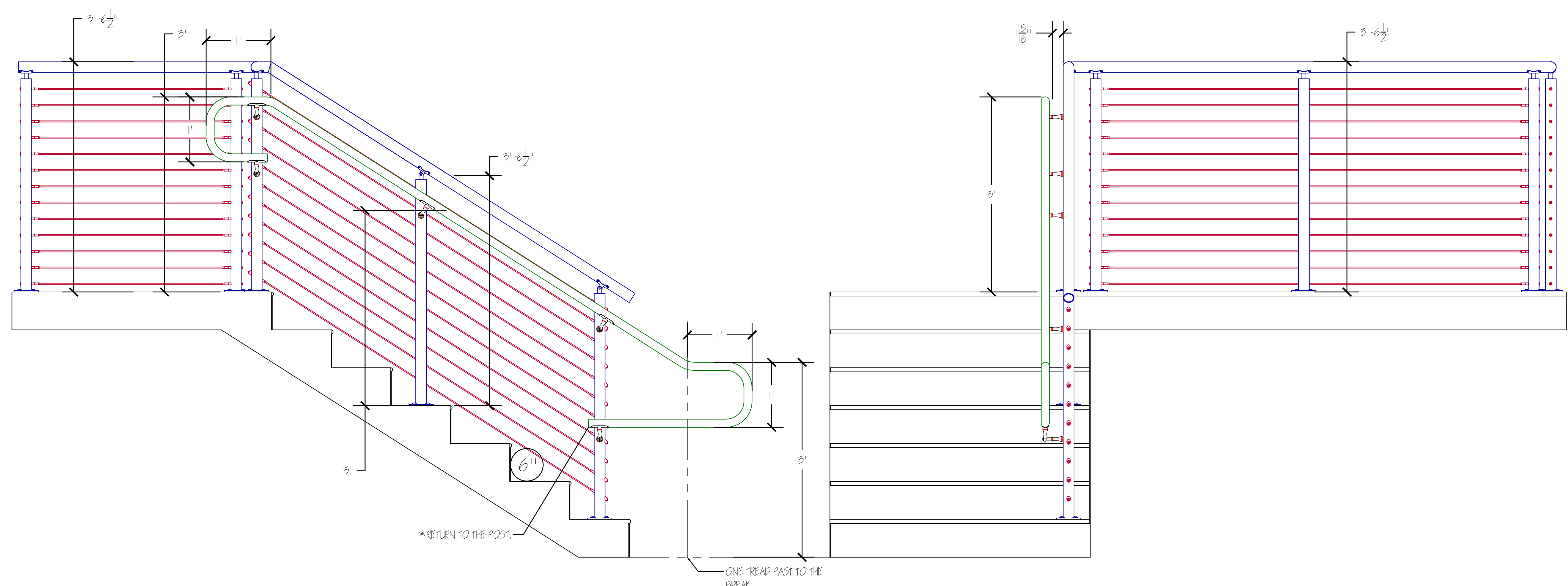


RPI-2000 TYPICAL MOUNTING OPTIONS. SCALE: 3/4" = 1'

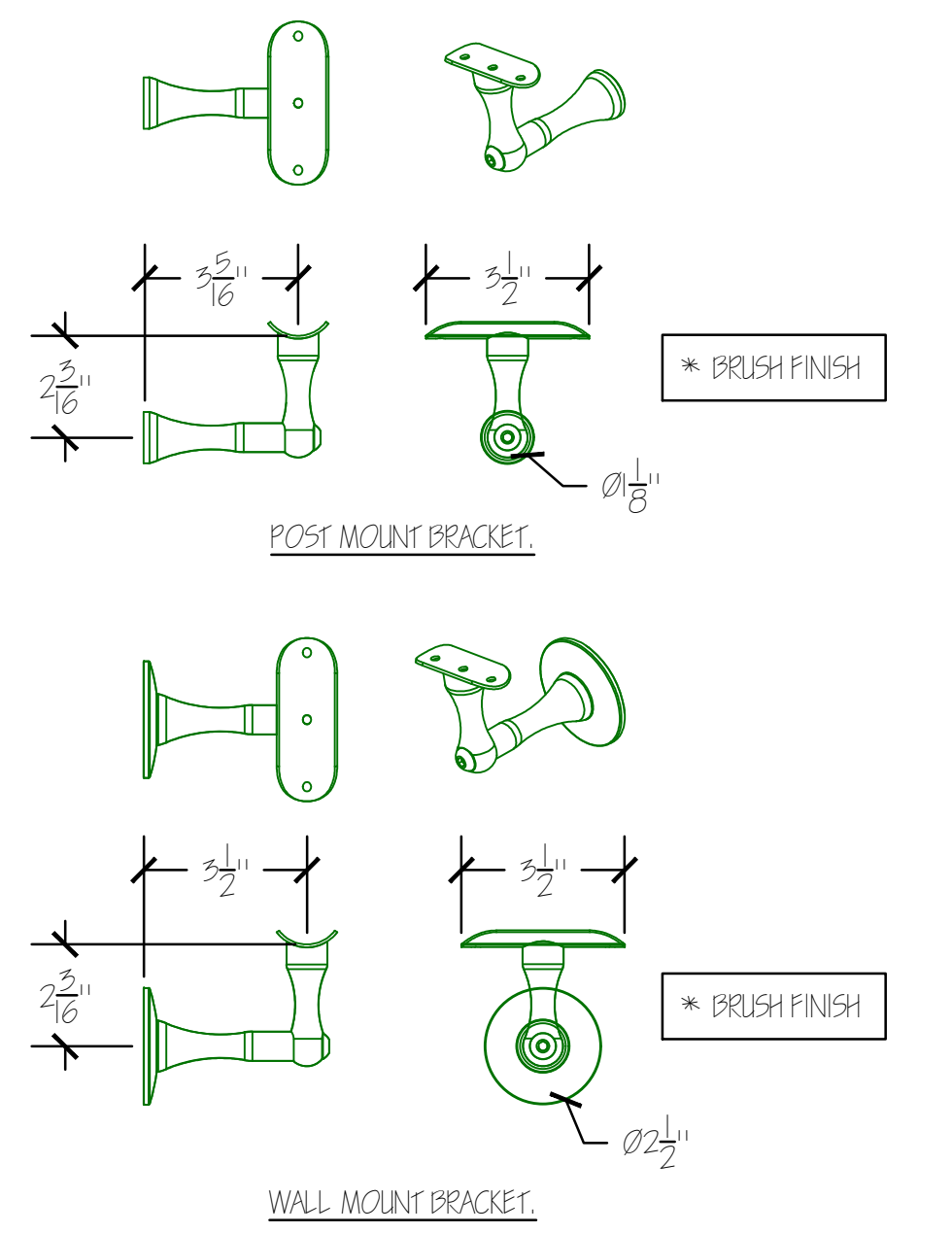


CABLE ATTACHMENT DETAIL. SCALE: 2" = 1'

*NOTE: CABLE INFILL: 3/16" diameter T-316 1X19 S.S. CABLE W/ SWAGE STLD. (1/8" diameter CABLE ALSO AVAILABLE).



RPI-2000 42" STAIR GUARD RAILING. SCALE: 1" = 1'



GRAB RAIL BRACKET DETAIL. SCALE: 3" = 1'

PRODUCT: RPI-2000 STAINLESS STEEL CABLE RAILING SYSTEM.		
CONTENT: STANDARD SYSTEM DETAILS.		
DRAWN BY: WINNI, T. / PRANZ, J.	DATE: 12-03-2018	2811 SW 4TH WAY LAKE OPL 33471 PH: 727-558-1924 FAX: 727-559-6314 SALES@SECOOUTH.COM
<small> THERE IS NO WARRANTY, THE INFORMATION CONTAINED IN THIS DRAWING IS THE SOLE PROPERTY OF SECO SOUTH INC. ANY REPRODUCTION IN PART OR AS A WHOLE WITHOUT THE WRITTEN PERMISSION OF SECO SOUTH INC. IS PROHIBITED. </small>		