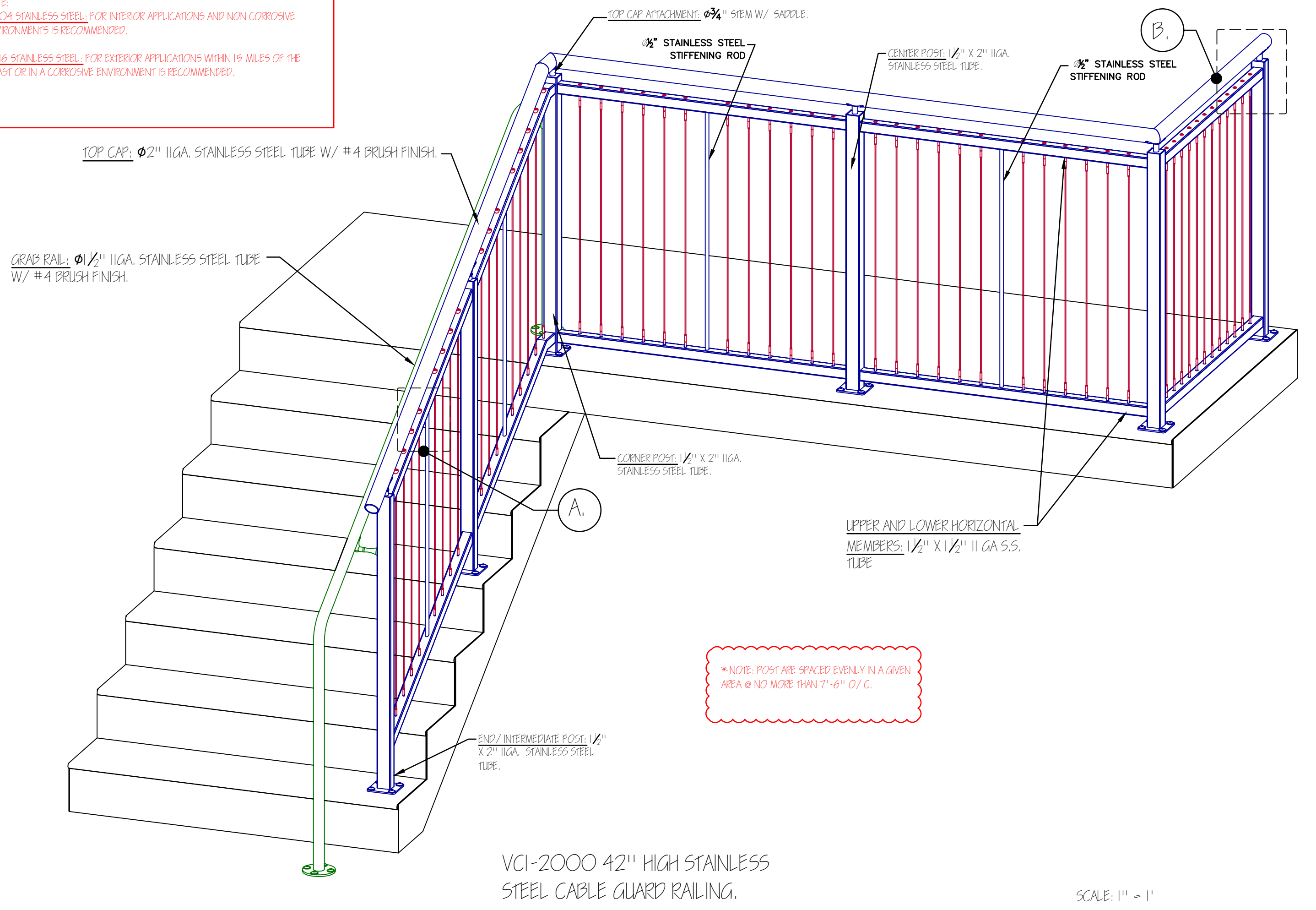
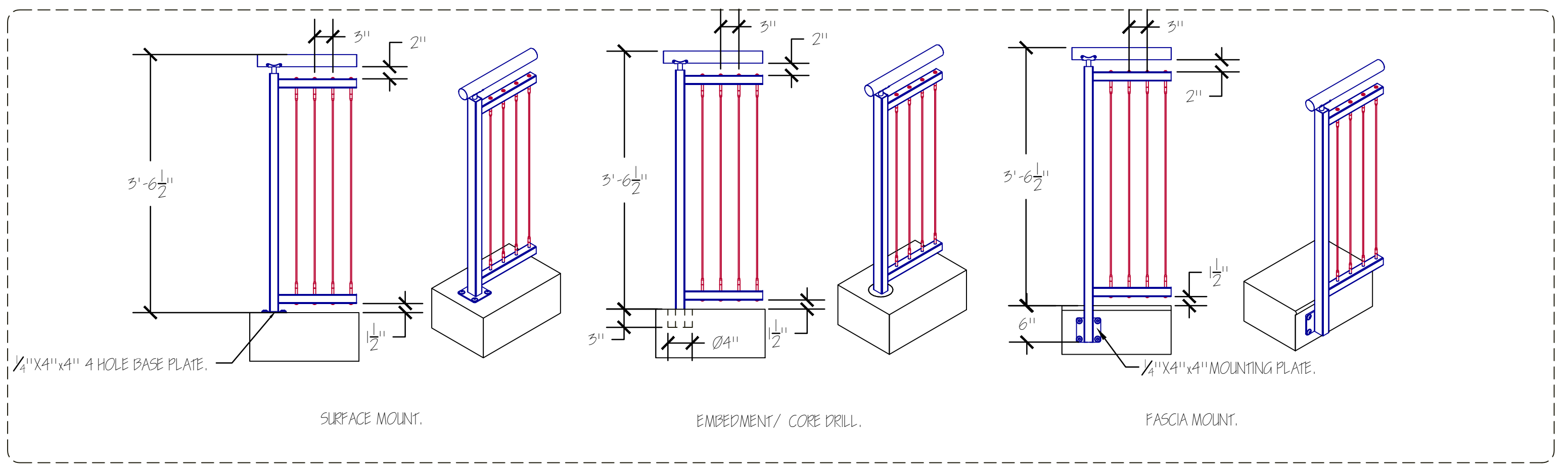


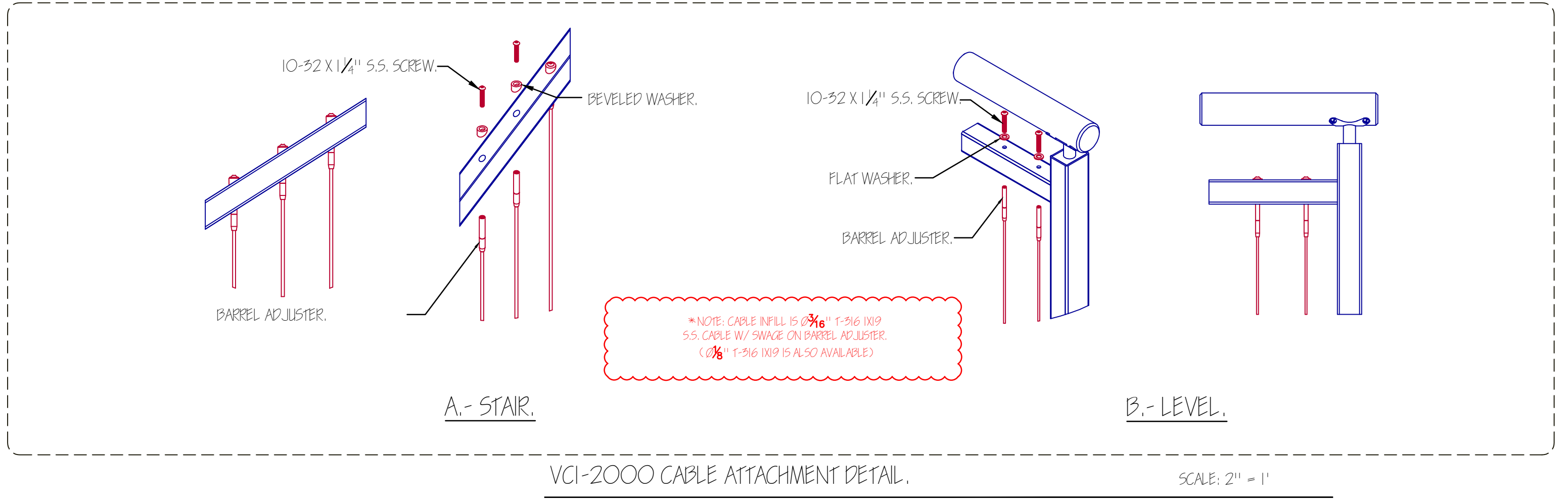
NOTE:  
 1-304 STAINLESS STEEL FOR INTERIOR APPLICATIONS AND NON CORROSIVE ENVIRONMENTS IS RECOMMENDED.  
 1-316 STAINLESS STEEL FOR EXTERIOR APPLICATIONS WITHIN 15 MILES OF THE COAST OR IN A CORROSIVE ENVIRONMENT IS RECOMMENDED.



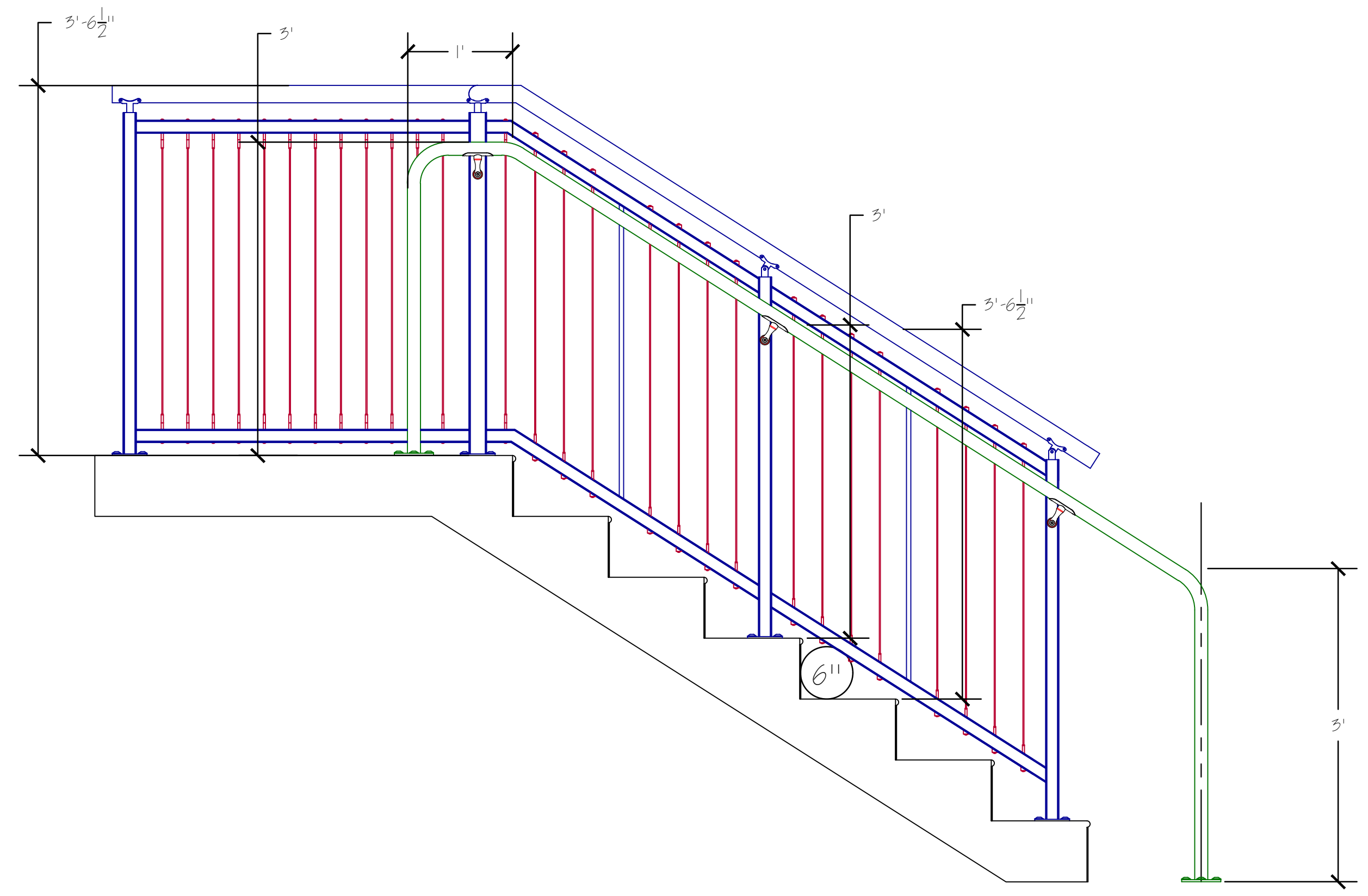
VCI-2000 42" HIGH STAINLESS STEEL CABLE GUARD RAILING. SCALE: 1" = 1'



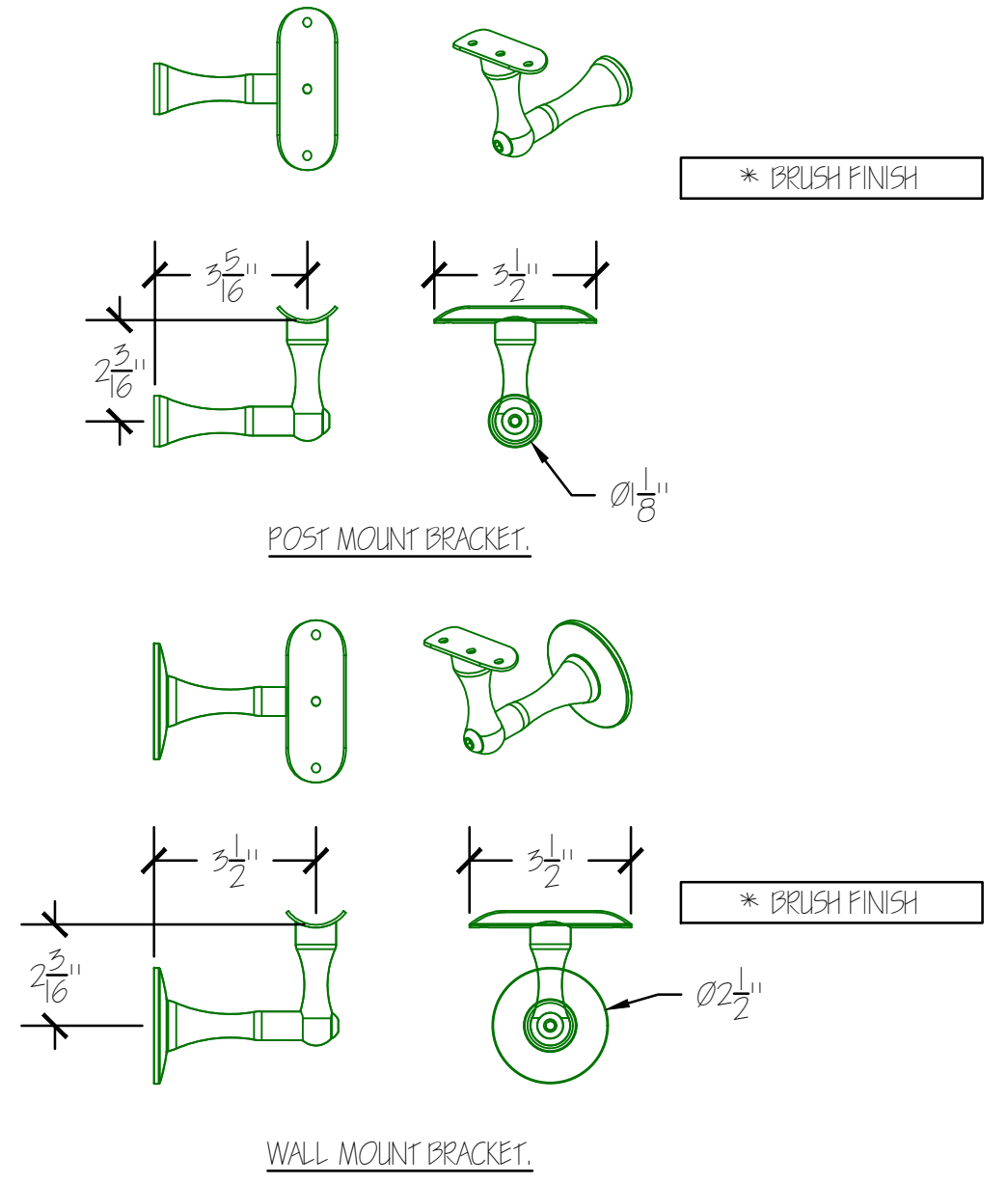
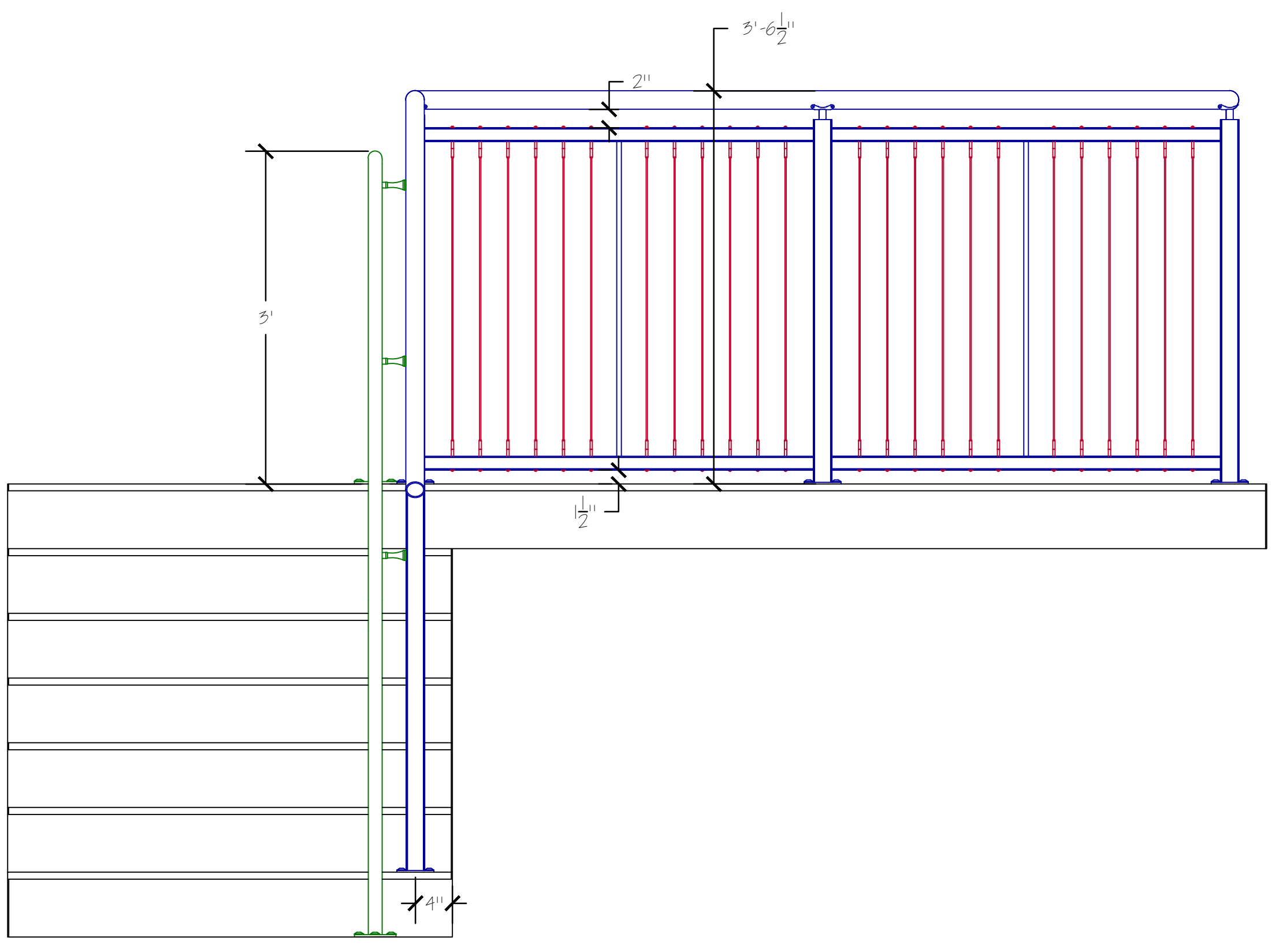
VCI-2000 TYPICAL MOUNTING OPTIONS. SCALE: 3/4" = 1'



VCI-2000 CABLE ATTACHMENT DETAIL. SCALE: 2" = 1'



VCI-2000 42" GUARD RAILING. SCALE: 1" = 1'



GRAB RAIL BRACKET DETAIL. SCALE: 3" = 1'

PRODUCT:  
 VCI-2000 STAINLESS STEEL CABLE GUARD RAILING.

CONTENT:  
 STANDARD SYSTEM DETAILS.

DRAWN BY: KELLER, C. / FRANZ, J.

DATE: 12-03-2018

PROPERTY AND COPYRIGHT:  
 THE INFORMATION CONTAINED IN THIS DRAWING IS THE SOLE PROPERTY OF RECO SOUTH INC. ANY REPRODUCTION IN PART OR AS A WHOLE WITHOUT THE WRITTEN PERMISSION OF RECO SOUTH INC. IS PROHIBITED.

2111 54TH WAY  
 LARGO, FL 34707  
 PH: 727-556-1924  
 FAX: 727-559-6514  
 SALES@RECOSSOUTH.COM