

8

7

6

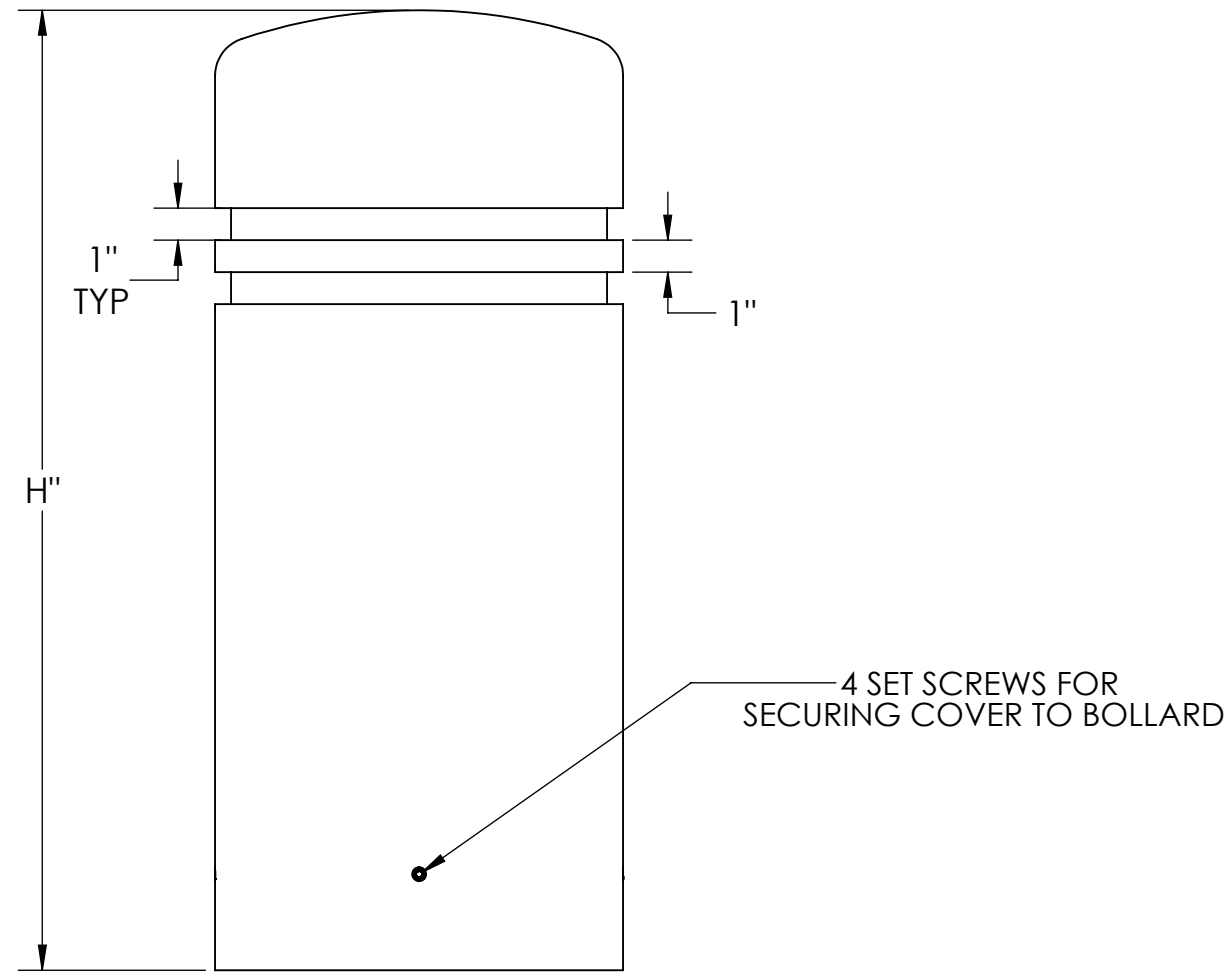
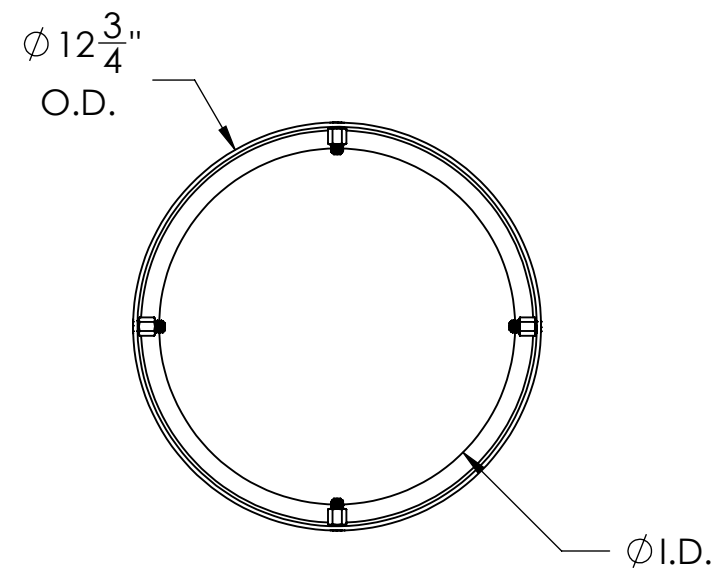
5

4

3

2

1

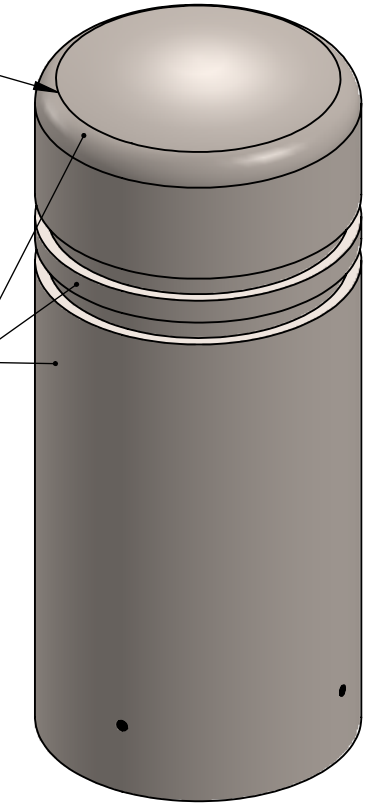


COVER SELECTION

SELECTION	PART NUMBER	HEIGHT (H)	FITS BOLLARD SIZE (I.D.)	MATERIAL
	BCV4D21230-8	30"	8"	304 SS
	BCV4D21236-8	36"		
	BCV4D21240-8	40"		
	BCV4D21242-8	42"		
	BCV4D21230-10	30"	10"	
	BCV4D21236-10	36"		
	BCV4D21240-10	40"		
	BCV4D21242-10	42"		
	BCV6D21230-8	30"	8"	316L SS
	BCV6D21236-8	36"		
	BCV6D21240-8	40"		
	BCV6D21242-8	42"		
	BCV6D21230-10	30"	10"	
	BCV6D21236-10	36"		
	BCV6D21240-10	40"		
	BCV6D21242-10	42"		


TANGENT LINES SHOWN FOR CLARITY

#4 CIRCUMFERENTIAL BRUSHED FINISH TYP ALL EXTERIOR SURFACES



NOTE: OTHER MATERIALS/FINISHES AVAILABLE - CONTACT FOR MORE INFORMATION

NO MANUAL REVISIONS/CHANGES ALLOWED

	NAME	DATE	 <b>BARRIER DEFENSE SYSTEMS</b> <small>A SHAW STAINLESS COMPANY</small>	986 ROSEDALE DR. HIRAM, GA 30141 (678) 915-2080
DRAWN BY	S.J.	12/17/2019		
CHECKED BY	J.HU.	12/17/2019	DESCRIPTION: 12" DOME TOP 2 REVEAL BOLLARD COVER	
PROPRIETARY AND CONFIDENTIAL THE INFORMATION CONTAINED IN THIS DRAWING IS THE SOLE PROPERTY OF SHAW STAINLESS LLC. ANY REPRODUCTION IN PART OR AS A WHOLE WITHOUT THE WRITTEN PERMISSION OF SHAW STAINLESS LLC IS PROHIBITED.			REV.	ITEM NO: SEE SELECTOR
			SHEET 1 OF 1	

8

7

6

5

4

3

2

1