

8

7

6

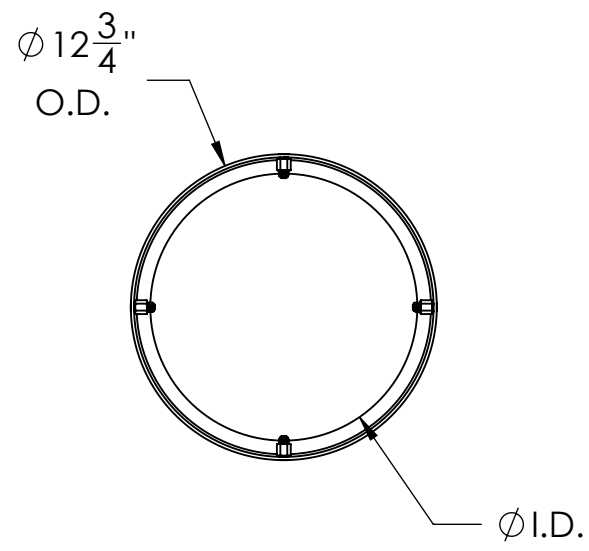
5

4

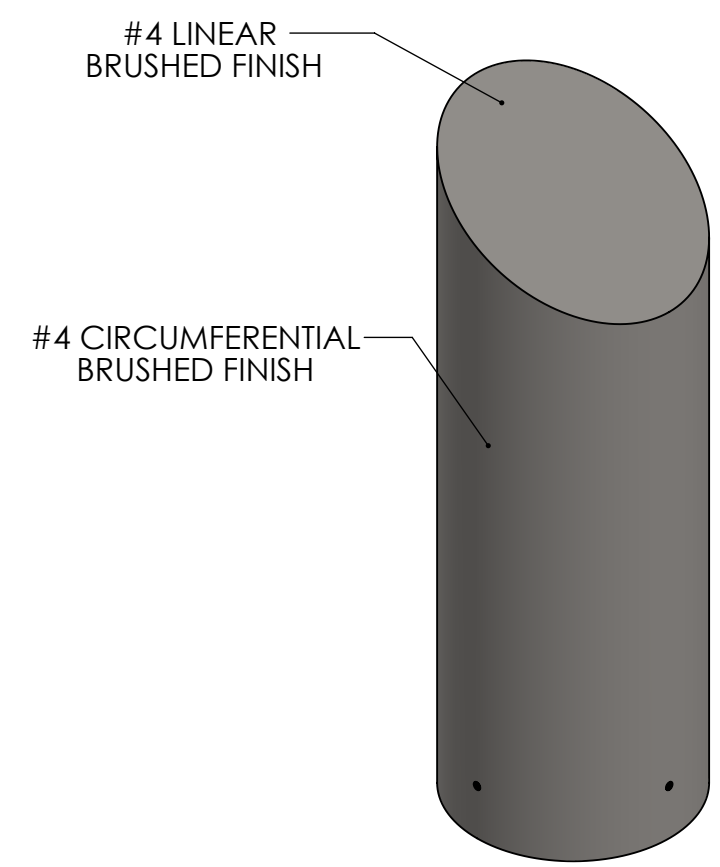
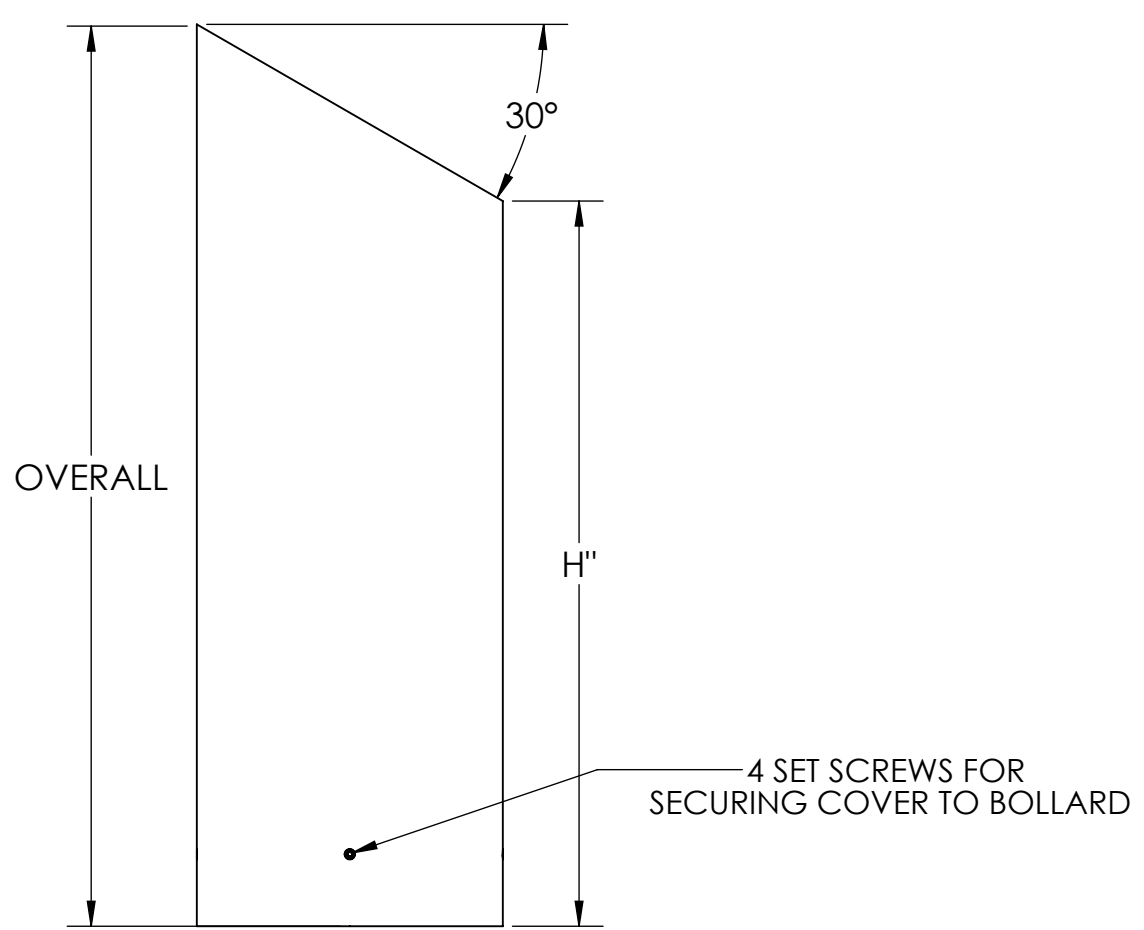
3

2

1



COVER SELECTION					
SELECTION	PART NUMBER	BOLLARD HEIGHT (H)	OVERALL	FITS BOLLARD SIZE (I.D.)	MATERIAL
	BC4T1230-8	30"	37.5"	8"	304 SS
	BC4T1236-8	36"	43.5"		
	BC4T1240-8	40"	47.5"		
	BC4T1242-8	42"	49.5"		
	BC4T1230-10	30"	37.5"	10"	304 SS
	BC4T1236-10	36"	43.5"		
	BC4T1240-10	40"	47.5"		
	BC4T1242-10	42"	49.5"		
	BC6T1230-8	30"	37.5"	8"	316L SS
	BC6T1236-8	36"	43.5"		
	BC6T1240-8	40"	47.5"		
	BC6T1242-8	42"	49.5"		
	BC6T1230-10	30"	37.5"	10"	316L SS
	BC6T1236-10	36"	43.5"		
	BC6T1240-10	40"	47.5"		
	BC6T1242-10	42"	49.5"		



NOTE: OTHER MATERIALS/FINISHES AVAILABLE - CONTACT FOR MORE INFORMATION

NO MANUAL REVISIONS/CHANGES ALLOWED

	NAME	DATE
DRAWN BY	S.J.	2/20/2020
CHECKED BY	J.HU.	2/20/2020

**BARRIER DEFENSE SYSTEMS**  
A SHAW STAINLESS COMPANY

986 ROSEDALE DR.  
HIRAM, GA 30141  
(678) 915-2080

PROPRIETARY AND CONFIDENTIAL  
THE INFORMATION CONTAINED IN THIS DRAWING IS THE SOLE PROPERTY OF SHAW STAINLESS LLC.  
ANY REPRODUCTION IN PART OR AS A WHOLE WITHOUT THE WRITTEN PERMISSION OF SHAW STAINLESS LLC IS PROHIBITED.

DESCRIPTION:  
30 DEGREE 12" SLOPE TOP BOLLARD COVER

REV. ITEM NO:  
SEE SELECTOR

8

7

6

5

4

3

2

1