

8

7

6

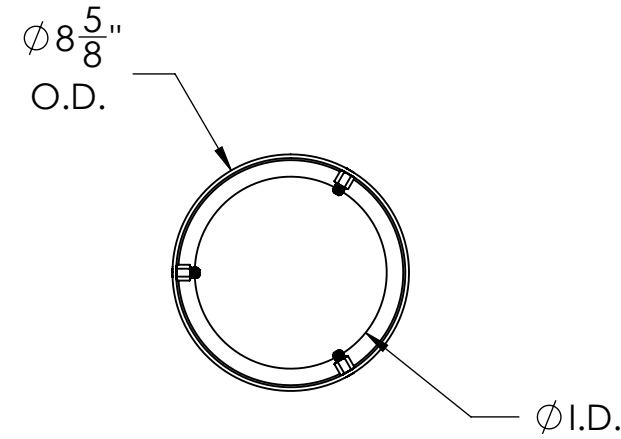
5

4

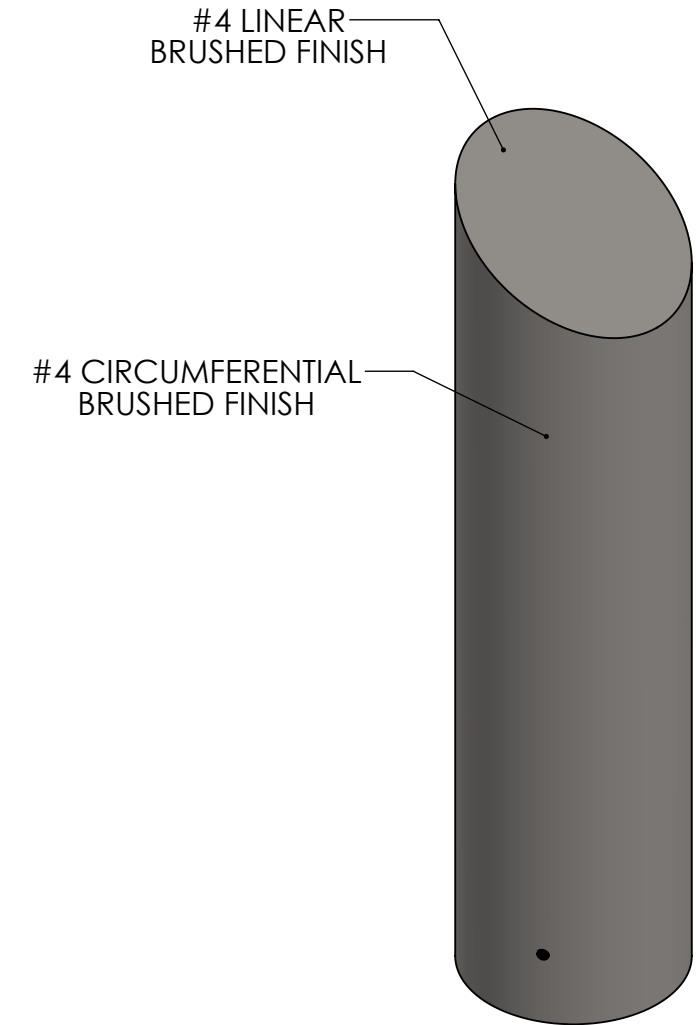
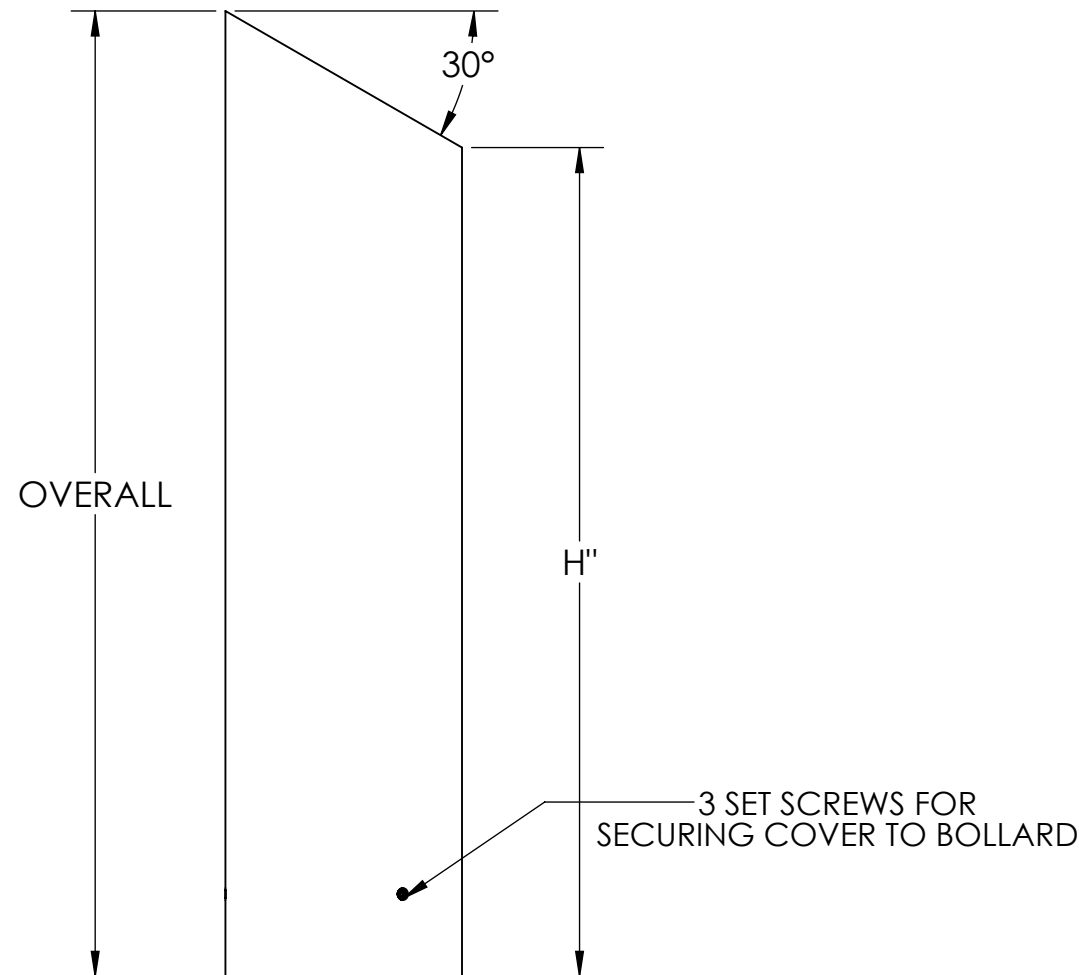
3

2

1



COVER SELECTION					
SELECTION	PART NUMBER	BOLLARD HEIGHT (H)	OVERALL	FITS BOLLARD SIZE (I.D.)	MATERIAL
	BC4T0830-6	30"	35"	6"	304 SS
	BC4T0836-6	36"	41"		
	BC4T0840-6	40"	45"		
	BC4T0842-6	42"	47"		
	BC6T0830-6	30"	35"		316L SS
	BC6T0836-6	36"	41"		
	BC6T0840-6	40"	45"		
	BC6T0842-6	42"	47"		



NOTE: OTHER MATERIALS/FINISHES AVAILABLE - CONTACT FOR MORE INFORMATION

NO MANUAL REVISIONS/CHANGES ALLOWED

	NAME	DATE
DRAWN BY	S.J.	2/20/2020
CHECKED BY	J.HU.	2/20/2020

BARRIER DEFENSE SYSTEMS
A SHAW STAINLESS COMPANY

986 ROSEDALE DR.
HIRAM, GA 30141
(678) 915-2080

DESCRIPTION:
30 DEGREE 8" SLOPE TOP BOLLARD COVER

REV. ITEM NO:
SEE SELECTOR

8

7

6

5

4

3

2

1