

8

7

6

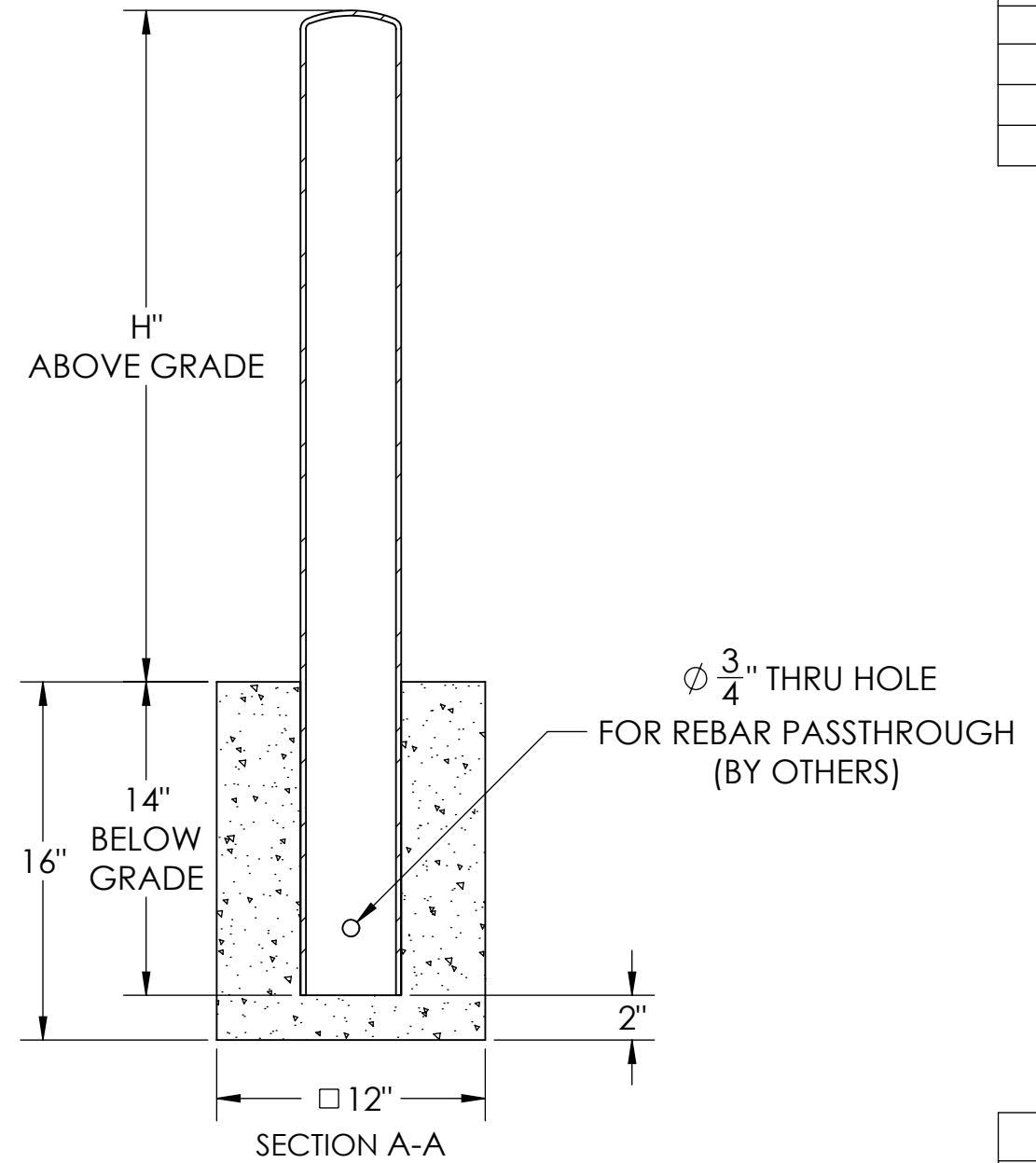
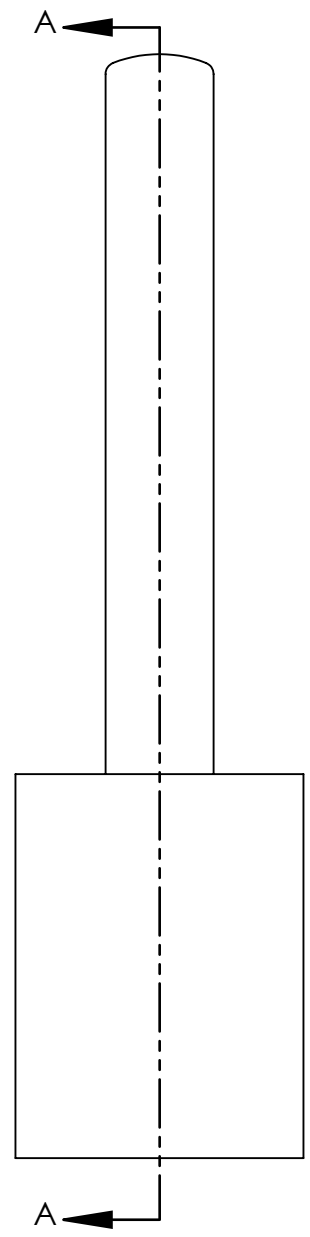
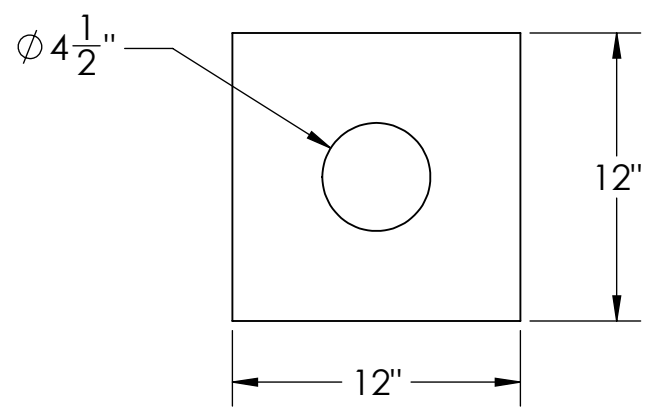
5

4

3

2

1

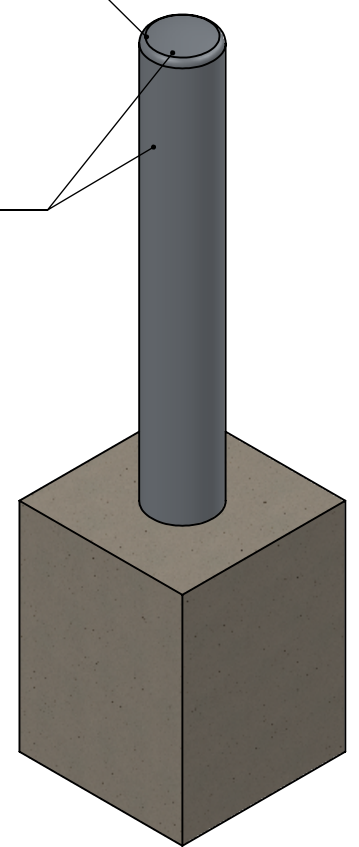


BOLLARD SELECTION

SELECTION	PART NUMBER	ABOVE GRADE HEIGHT (H)	MATERIAL	WEIGHT
	FB4D0430-F	30"	304 SS	40LBS
	FB4D0436-F	36"		47LBS
	FB4D0439-F	39.5"		50LBS
	FB4D0442-F	42"		52LBS
	FB6D0430-F	30"	316L SS	41LBS
	FB6D0436-F	36"		47LBS
	FB6D0439-F	39.5"		50LBS
	FB6D0442-F	42"		52LBS
	FBCD0430-F	30"	CARBON STEEL	40LBS
	FBCD0436-F	36"		45LBS
	FBCD0439-F	39.5"		48LBS
	FBCD0442-F	42"		51LBS

TANGENT LINES SHOWN FOR CLARITY

#4 CIRCUMFERENTIAL BRUSHED FINISH (SS ONLY)



- NOTES:
1. NON-RATED BOLLARD SHOWN
 2. FOUNDATION BY OTHERS
 3. MINIMUM SUGGESTED DIMENSIONS FOR FOUNDATION SHOWN
 4. FOR CARBON STEEL - ZINC RICH PRIME STANDARD FINISH. GALVANIZE OR POWDERCOAT OPTIONS AVAILABLE
 5. FOR STAINLESS STEEL - OPTIONAL UPGRADE TO #6 BRUSHED FINISH AVAILABLE

	NAME	DATE	<p>986 ROSEDALE DR. HIRAM, GA 30141 (678) 915-2080</p>
DRAWN BY	S.J.	12/17/2019	
CHECKED BY	J.HU.	12/17/2019	
PROPRIETARY AND CONFIDENTIAL THE INFORMATION CONTAINED IN THIS DRAWING IS THE SOLE PROPERTY OF SHAW STAINLESS LLC. ANY REPRODUCTION IN PART OR AS A WHOLE WITHOUT THE WRITTEN PERMISSION OF SHAW STAINLESS LLC IS PROHIBITED.			DESCRIPTION: 4" DOME TOP FIXED FOUNDATION BOLLARD
REV.	ITEM NO:		SEE SELECTOR
			SHEET 1 OF 1

NO MANUAL REVISIONS/CHANGES ALLOWED

8

7

6

5

4

3

2

1