

8

7

6

5

4

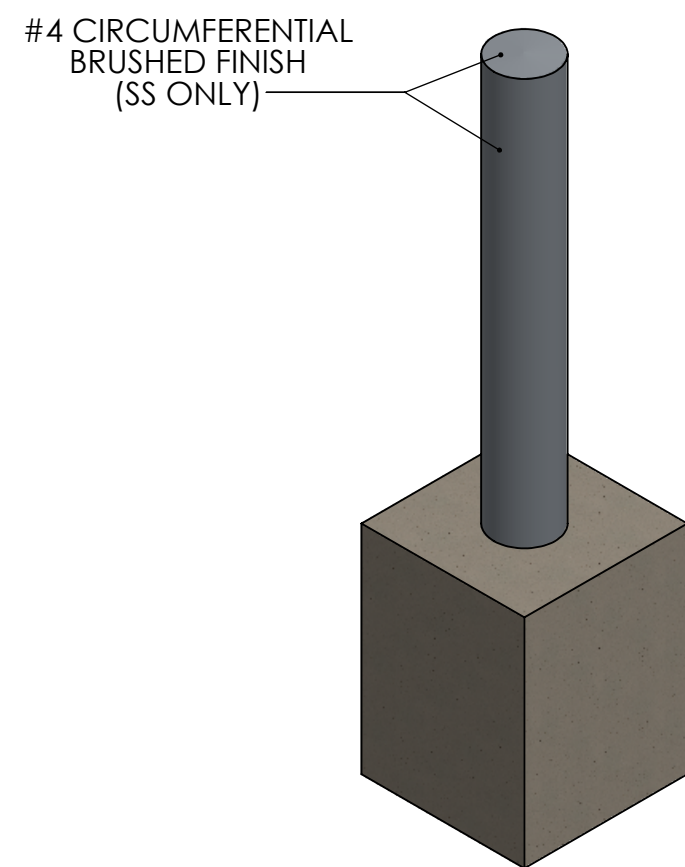
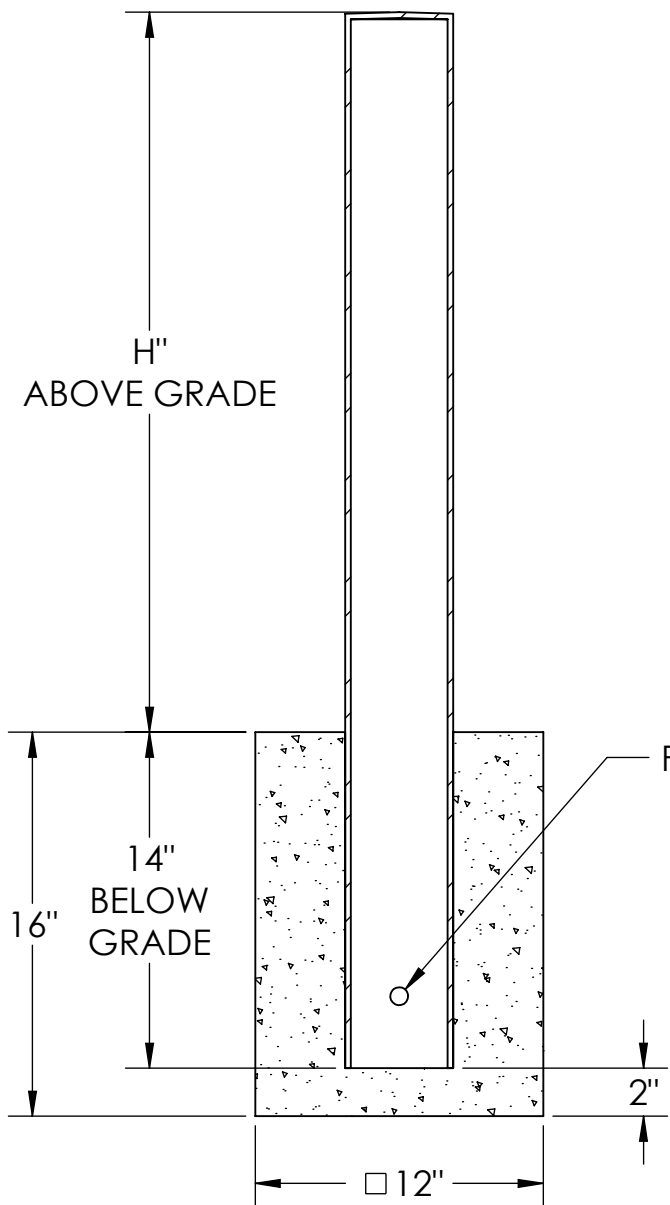
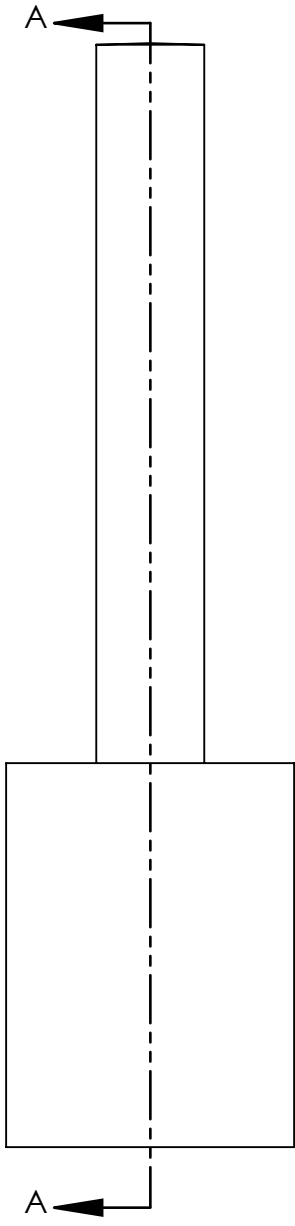
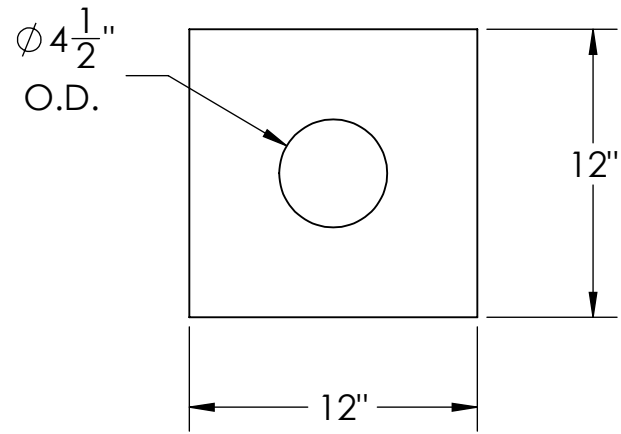
3

2

1


BOLLARD SELECTION

SELECTION	PART NUMBER	ABOVE GRADE HEIGHT (H)	MATERIAL	WEIGHT
	FB4F0430-F	30"	304 SS	41LBS
	FB4F0436-F	36"		47LBS
	FB4F0439-F	39.5"		50LBS
	FB4F0442-F	42"		52LBS
	FB6F0430-F	30"	316L SS	41LBS
	FB6F0436-F	36"		47LBS
	FB6F0439-F	39.5"		50LBS
	FB6F0442-F	42"		52LBS
	FBCF0430-F	30"	CARBON STEEL	40LBS
	FBCF0436-F	36"		46LBS
	FBCF0439-F	39.5"		49LBS
	FBCF0442-F	42"		51LBS



NOTES:

1. NON-RATED BOLLARD SHOWN
2. FOUNDATION BY OTHERS
3. MINIMUM SUGGESTED DIMENSIONS FOR FOUNDATION SHOWN
4. FOR CARBON STEEL - ZINC RICH PRIME STANDARD FINISH. GALVANIZE OR POWDERCOAT OPTIONS AVAILABLE
5. FOR STAINLESS STEEL - OPTIONAL UPGRADE TO #6 BRUSHED FINISH AVAILABLE

	NAME	DATE	 BARRIER DEFENSE SYSTEMS <small>A SHAW STAINLESS COMPANY</small>	986 ROSEDALE DR. HIRAM, GA 30141 (678) 915-2080
DRAWN BY	S.J.	11/25/2019		
CHECKED BY	J.HU.	11/25/2019	DESCRIPTION:	4" FLAT TOP FIXED FOUNDATION BOLLARD
<small>PROPRIETARY AND CONFIDENTIAL THE INFORMATION CONTAINED IN THIS DRAWING IS THE SOLE PROPERTY OF SHAW STAINLESS LLC. ANY REPRODUCTION IN PART OR AS A WHOLE WITHOUT THE WRITTEN PERMISSION OF SHAW STAINLESS LLC IS PROHIBITED.</small>			REV.	ITEM NO:
			SEE SELECTOR	
			SHEET 1 OF 1	

NO MANUAL REVISIONS/CHANGES ALLOWED



8

7

6

5

4

3

2

1