

8

7

6

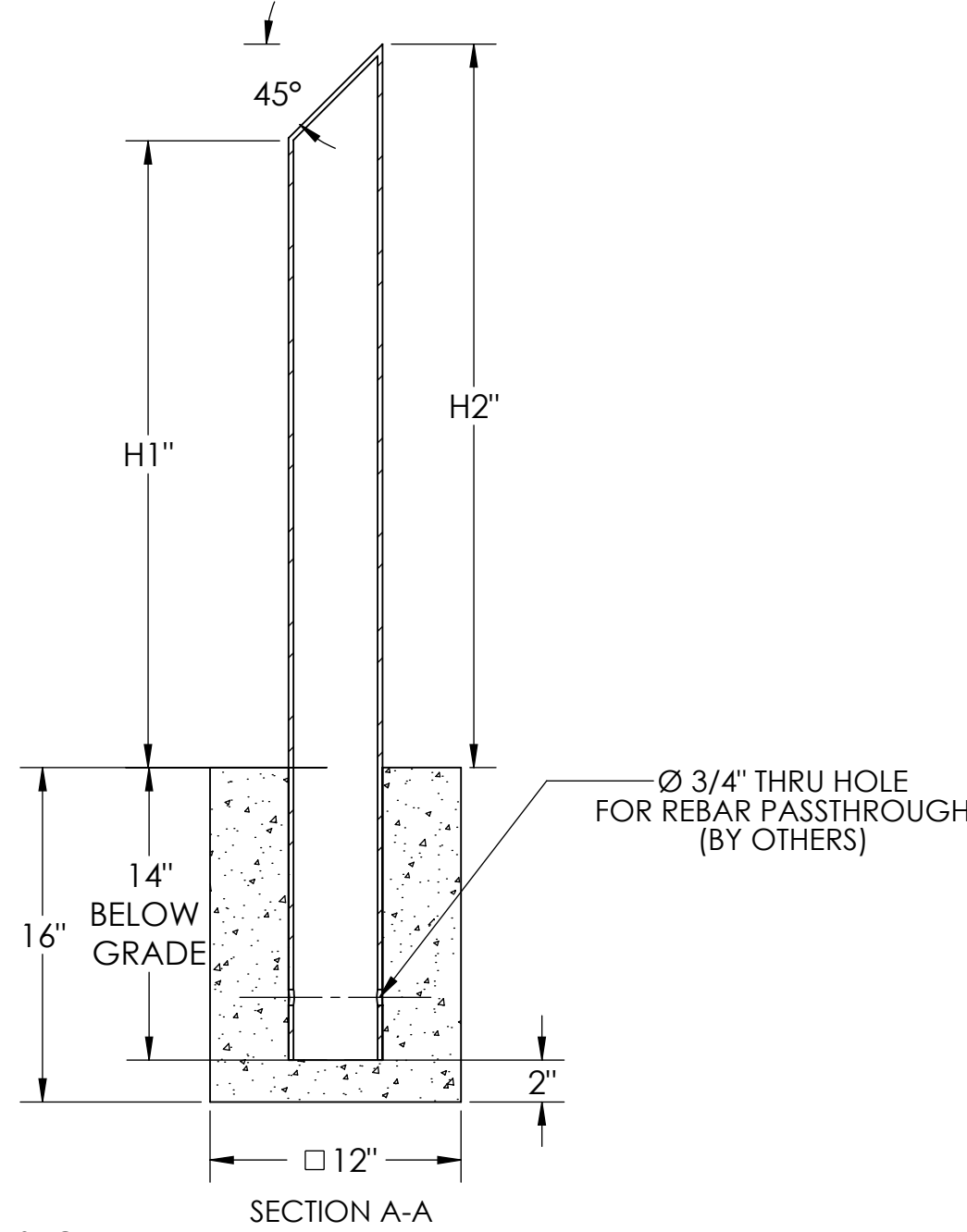
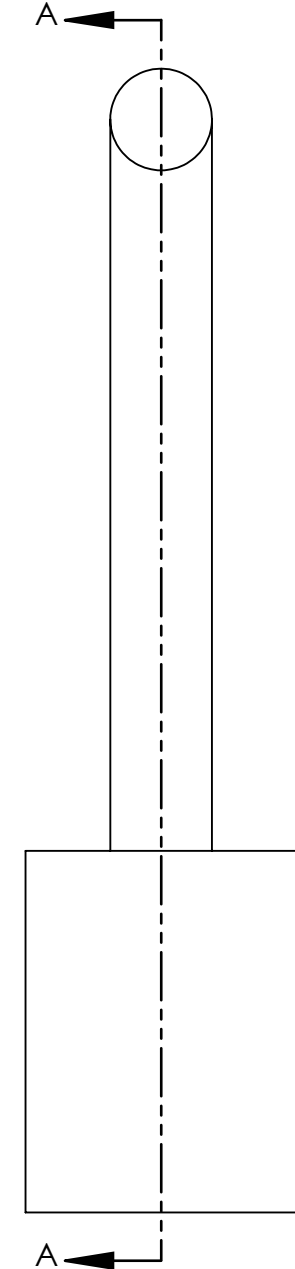
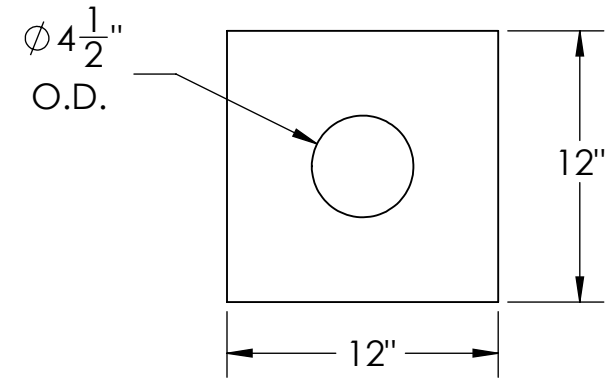
5

4

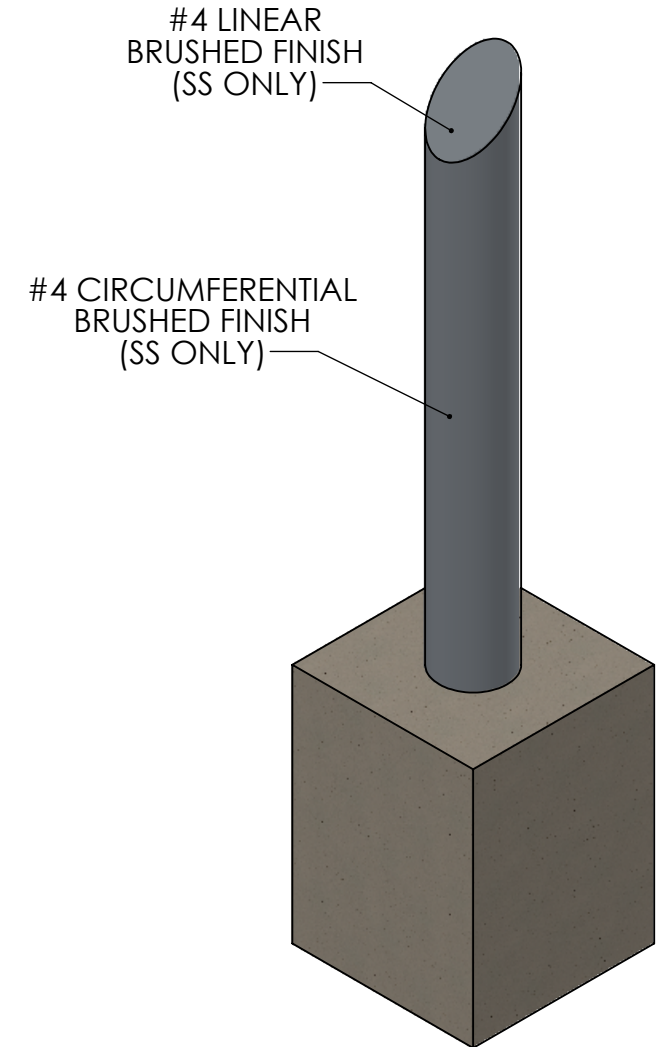
3

2

1



BOLLARD SELECTION					
SELECTION	PART NUMBER	H1	H2	MATERIAL	WEIGHT
	FB4S0430-F	30"	34.625"	304 SS	44LBS
	FB4S0436-F	36"	40.625"		50LBS
	FB4S0439-F	39.5"	44.125"		53LBS
	FB4S0442-F	42"	46.625"		55LBS
	FB6S0430-F	30"	34.625"	316L SS	44LBS
	FB6S0436-F	36"	40.625"		50LBS
	FB6S0439-F	39.5"	44.125"		53LBS
	FB6S0442-F	42"	46.625"		55LBS
	FBCS0430-F	30"	34.625"	CARBON STEEL	43LBS
	FBCS0436-F	36"	40.625"		48LBS
	FBCS0439-F	39.5"	44.125"		51LBS
	FBCS0442-F	42"	46.625"		54LBS



- NOTES:
1. NON-RATED BOLLARD SHOWN
 2. FOUNDATION BY OTHERS
 3. MINIMUM SUGGESTED DIMENSIONS FOR FOUNDATION SHOWN
 4. FOR CARBON STEEL - ZINC RICH PRIME STANDARD FINISH. GALVANIZE OR POWDERCOAT OPTIONS AVAILABLE
 5. FOR STAINLESS STEEL - OPTIONAL UPGRADE TO #6 BRUSHED FINISH AVAILABLE



	NAME	DATE	<p>986 ROSEDALE DR. HIRAM, GA 30141 (678) 915-2080</p>
DRAWN BY	S.J.	12/18/2019	
CHECKED BY	J.HU.	12/18/2019	
PROPRIETARY AND CONFIDENTIAL THE INFORMATION CONTAINED IN THIS DRAWING IS THE SOLE PROPERTY OF SHAW STAINLESS LLC. ANY REPRODUCTION IN PART OR AS A WHOLE WITHOUT THE WRITTEN PERMISSION OF SHAW STAINLESS LLC IS PROHIBITED.			DESCRIPTION: 4" SLOPE TOP FIXED FOUNDATION BOLLARD
REV.	ITEM NO:		SEE SELECTOR
			SHEET 1 OF 1

NO MANUAL REVISIONS/CHANGES ALLOWED

8

7

6

5

4

3

2

1