

8

7

6

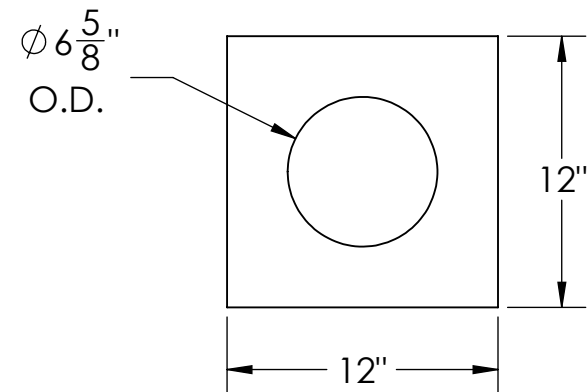
5

4

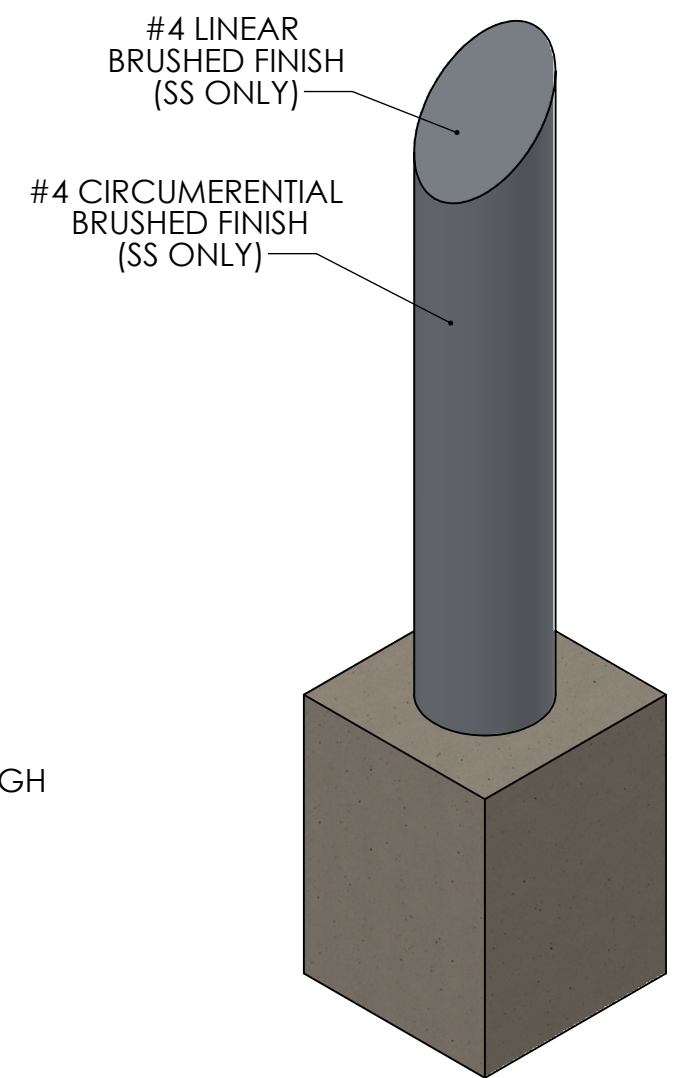
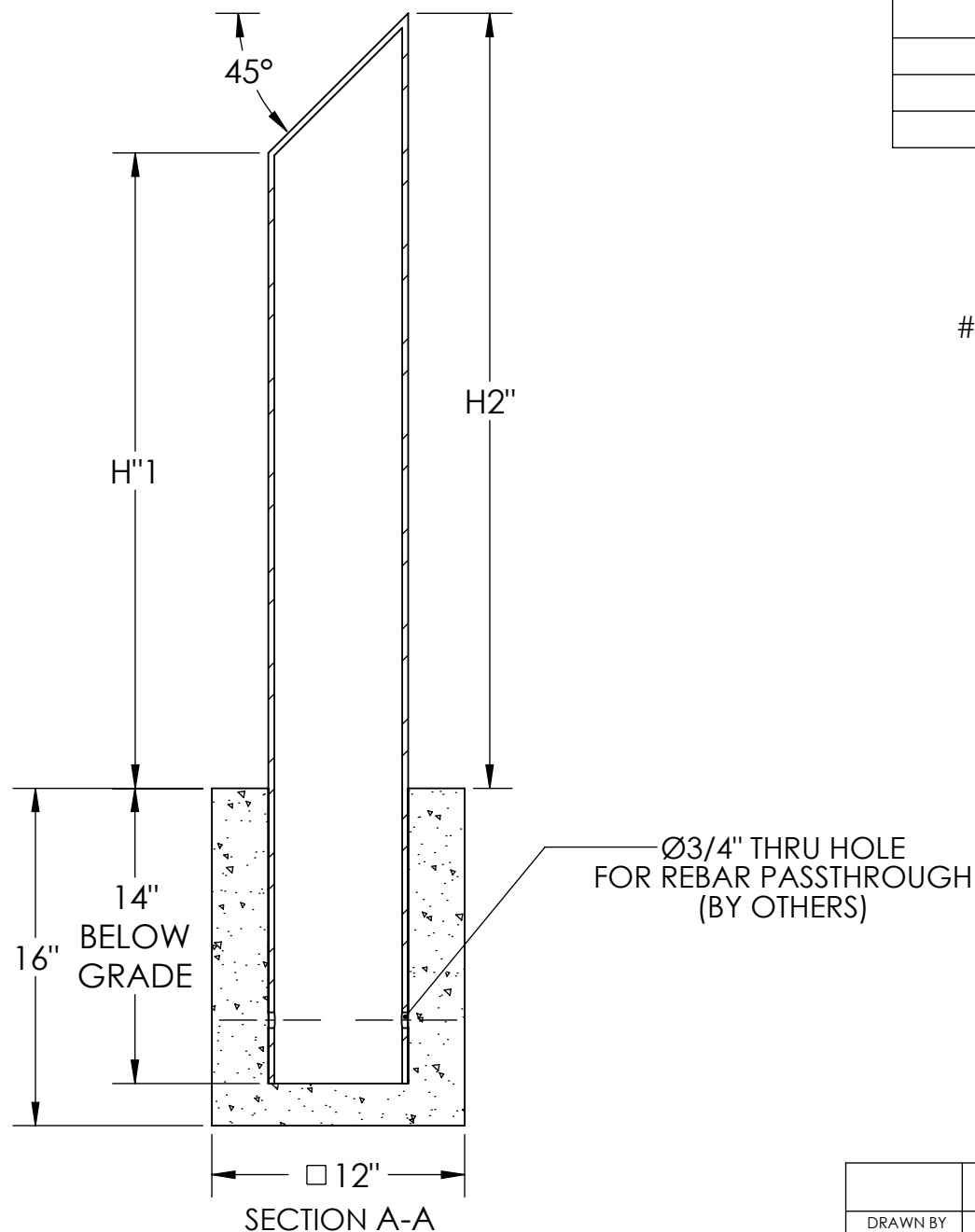
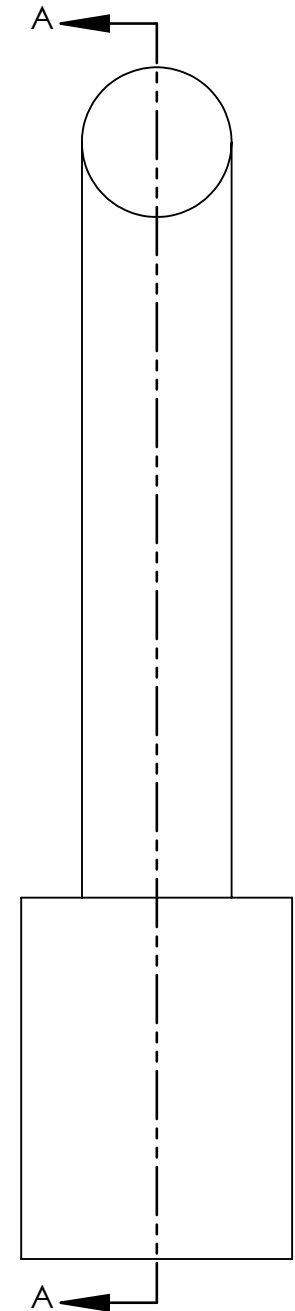
3

2

1



BOLLARD SELECTION					
SELECTION	PART NUMBER	H1"	H2"	MATERIAL	WEIGHT
	FB4S0630-F	30"	36.625"	304 SS	79LBS
	FB4S0636-F	36"	42.625"		89LBS
	FB4S0639-F	39.5"	46.125"		94LBS
	FB4S0642-F	42"	48.625"		98LBS
	FB6S0630-F	30"	36.625"	316L SS	79LBS
	FB6S0636-F	36"	42.625"		89LBS
	FB6S0639-F	39.5"	46.125"		95LBS
	FB6S0642-F	42"	48.625"		99LBS
	FBCS0630-F	30"	36.625"	CARBON STEEL	77LBS
	FBCS0636-F	36"	42.625"		86LBS
	FBCS0639-F	39.5"	46.125"		92LBS
	FBCS0642-F	42"	48.625"		96LBS



- NOTES:
1. NON-RATED BOLLARD SHOWN
 2. FOUNDATION BY OTHERS
 3. MINIMUM SUGGESTED DIMENSIONS FOR FOUNDATION SHOWN
 4. FOR CARBON STEEL - ZINC RICH PRIME STANDARD FINISH. GALVANIZE OR POWDERCOAT OPTIONS AVAILABLE
 5. FOR STAINLESS STEEL - OPTIONAL UPGRADE TO #6 BRUSHED FINISH AVAILABLE

	NAME	DATE	<p>986 ROSEDALE DR. HIRAM, GA 30141 (678) 915-2080</p>
DRAWN BY	S.J.	12/18/2019	
CHECKED BY	J.HU.	12/18/2019	
PROPRIETARY AND CONFIDENTIAL THE INFORMATION CONTAINED IN THIS DRAWING IS THE SOLE PROPERTY OF SHAW STAINLESS LLC. ANY REPRODUCTION IN PART OR AS A WHOLE WITHOUT THE WRITTEN PERMISSION OF SHAW STAINLESS LLC IS PROHIBITED.			DESCRIPTION: 6" SLOPE TOP FIXED FOUNDATION BOLLARD
REV.	ITEM NO:		SEE SELECTOR
			SHEET 1 OF 1



8

7

6

5

4

3

2

1