

8

7

6

5

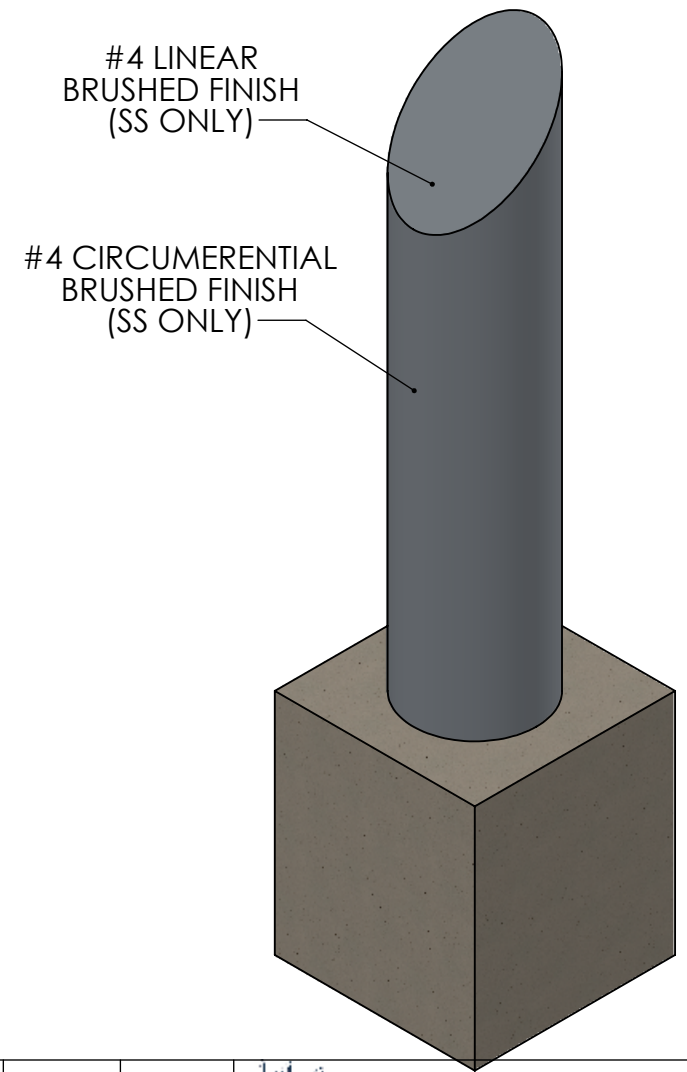
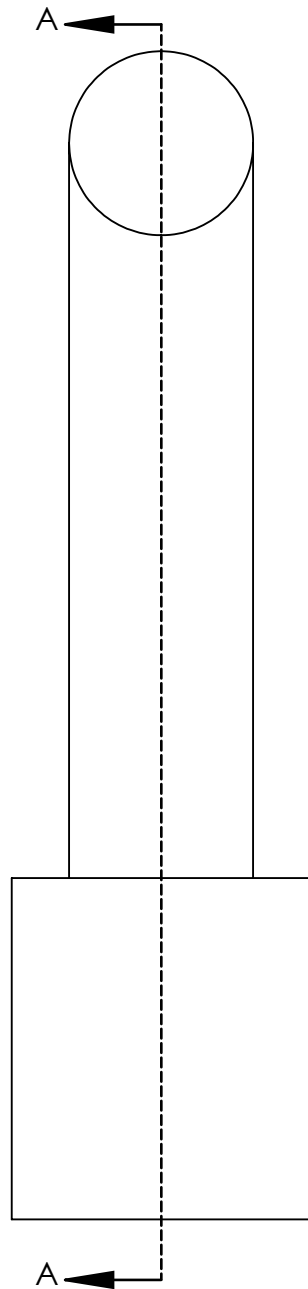
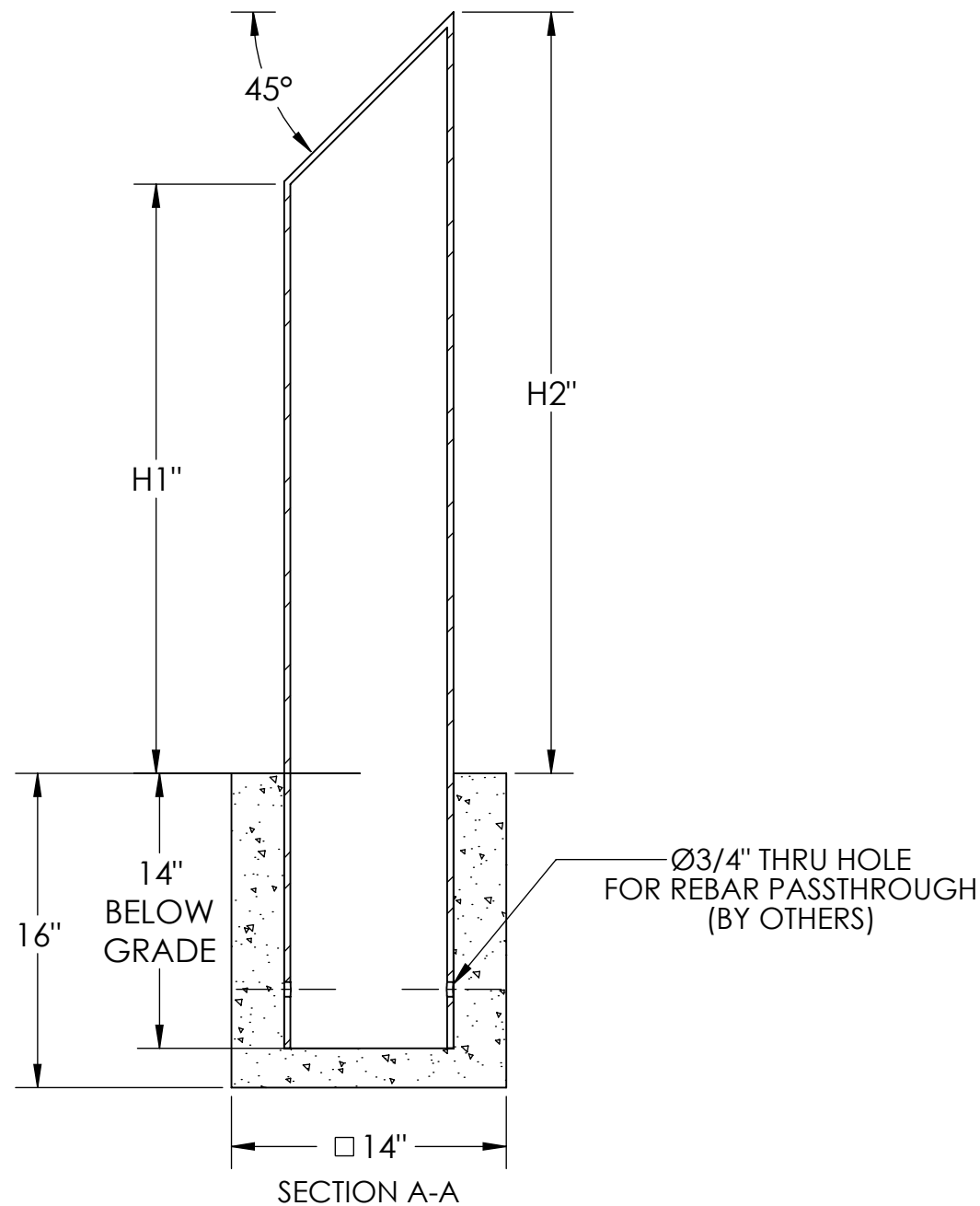
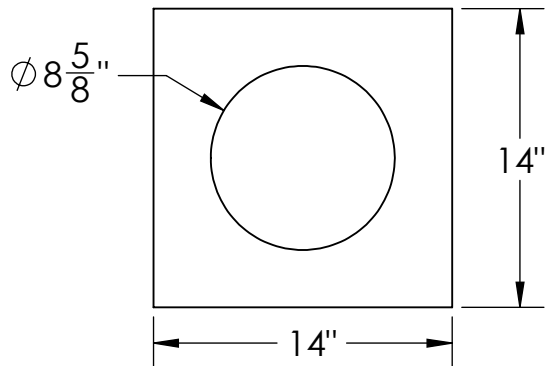
4

3

2

1

BOLLARD SELECTION					
SELECTION	PART NUMBER	H1"	H2"	MATERIAL	WEIGHT
	FB4S0630-F	30"	38.75"	304 SS	122LBS
	FB4S0636-F	36"	44.75"		136LBS
	FB4S0639-F	39.5"	48.25"		145LBS
	FB4S0642-F	42"	50.75"		151LBS
	FB6S0630-F	30"	38.75"	316L SS	122LBS
	FB6S0636-F	36"	44.75"		137LBS
	FB6S0639-F	39.5"	48.25"		145LBS
	FB6S0642-F	42"	50.75"		151LBS
	FBCS0630-F	30"	38.75"	CARBON STEEL	119LBS
	FBCS0636-F	36"	44.75"		133LBS
	FBCS0639-F	39.5"	48.25"		141LBS
	FBCS0642-F	42"	50.75"		147LBS



- NOTES:
- NON-RATED BOLLARD SHOWN
 - FOUNDATION BY OTHERS
 - MINIMUM SUGGESTED DIMENSIONS FOR FOUNDATION SHOWN
 - FOR CARBON STEEL - ZINC RICH PRIME STANDARD FINISH. GALVANIZE OR POWDERCOAT OPTIONS AVAILABLE
 - FOR STAINLESS STEEL - OPTIONAL UPGRADE TO #6 BRUSHED FINISH AVAILABLE

	NAME	DATE	 BARRIER DEFENSE SYSTEMS <small>A SHAW STAINLESS COMPANY</small>	986 ROSEDALE DR. HIRAM, GA 30141 (678) 915-2080
DRAWN BY	S.J.	12/18/2019		
CHECKED BY	J.HU.	12/18/2019	DESCRIPTION: 8" SLOPE TOP FIXED FOUNDATION BOLLARD	
PROPRIETARY AND CONFIDENTIAL THE INFORMATION CONTAINED IN THIS DRAWING IS THE SOLE PROPERTY OF SHAW STAINLESS LLC. ANY REPRODUCTION IN PART OR AS A WHOLE WITHOUT THE WRITTEN PERMISSION OF SHAW STAINLESS LLC IS PROHIBITED.			REV.	ITEM NO: SEE SELECTOR
NO MANUAL REVISIONS/CHANGES ALLOWED			SHEET 1 OF 1	



8

7

6

5

4

3

2

1