

8

7

6

5

4

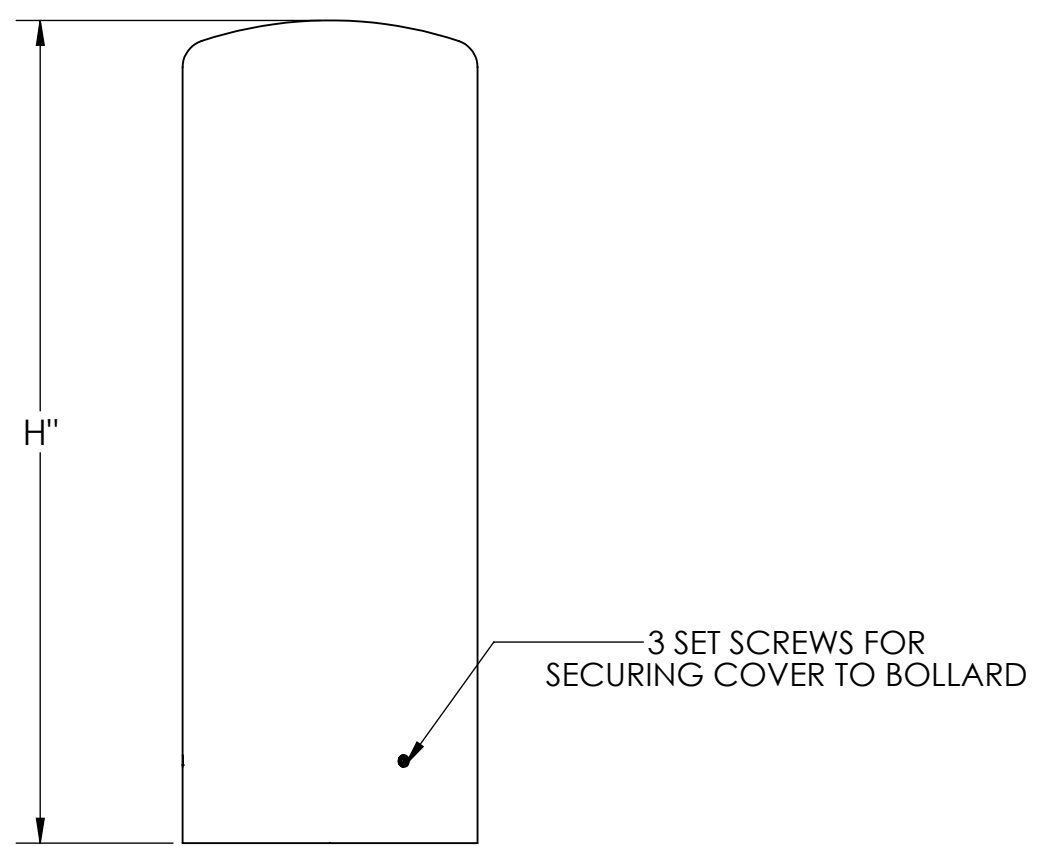
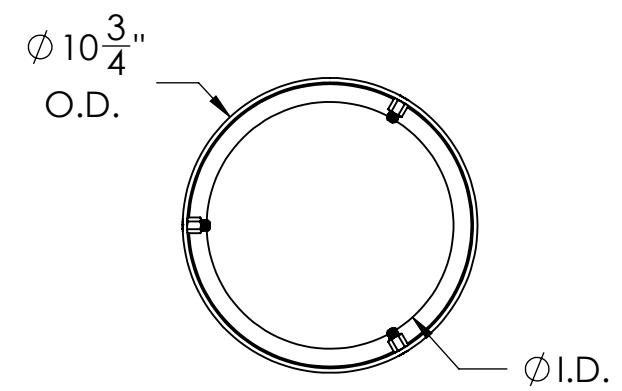
3

2

1

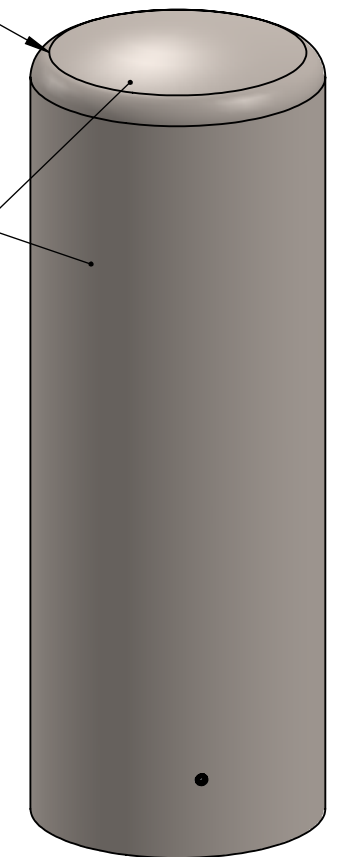
COVER SELECTION

SELECTION	PART NUMBER	HEIGHT (H)	FITS BOLLARD SIZE (I.D.)	MATERIAL
	BC4D1030-6	30"	6"	304 SS
	BC4D1036-6	36"		
	BC4D1040-6	40"		
	BC4D1042-6	42"	8"	
	BC4D1030-8	30"		
	BC4D1036-8	36"		
	BC4D1040-8	40"	6"	316L SS
	BC4D1042-8	42"		
	BC6D1030-6	30"		
	BC6D1036-6	36"	8"	
	BC6D1040-6	40"		
	BC6D1042-6	42"		
	BC6D1030-8	30"	6"	316L SS
	BC6D1036-8	36"		
	BC6D1040-8	40"		
	BC6D1042-8	42"	8"	




TANGENT LINES SHOWN FOR CLARITY

#4 CIRCUMFERENTIAL BRUSHED FINISH



NOTE: OTHER MATERIALS/FINISHES AVAILABLE - CONTACT FOR MORE INFORMATION

NO MANUAL REVISIONS/CHANGES ALLOWED

	NAME	DATE	 <b>BARRIER DEFENSE SYSTEMS</b> <small>A SHAW STAINLESS COMPANY</small>	986 ROSEDALE DR. HIRAM, GA 30141 (678) 915-2080
DRAWN BY	S.J.	11/21/2019		
CHECKED BY	J.HU.	11/22/2019	DESCRIPTION: 10" DOME TOP BOLLARD COVER	
PROPRIETARY AND CONFIDENTIAL THE INFORMATION CONTAINED IN THIS DRAWING IS THE SOLE PROPERTY OF SHAW STAINLESS LLC. ANY REPRODUCTION IN PART OR AS A WHOLE WITHOUT THE WRITTEN PERMISSION OF SHAW STAINLESS LLC IS PROHIBITED.			REV.	ITEM NO: SEE SELECTOR
			SHEET 1 OF 1	

8

7

6

5

4

3

2

1