

8

7

6

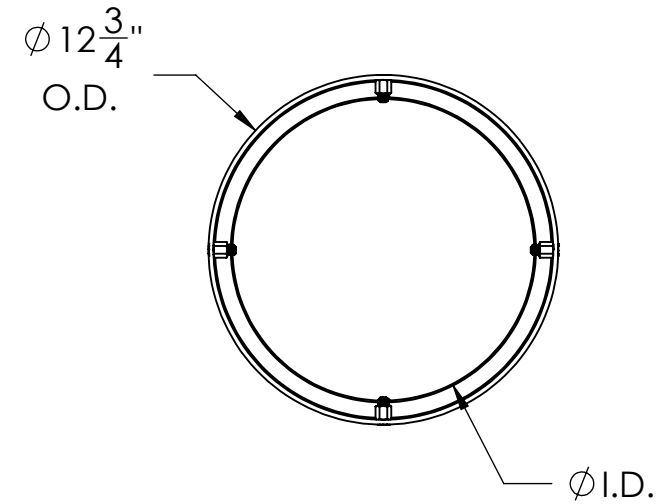
5

4

3

2

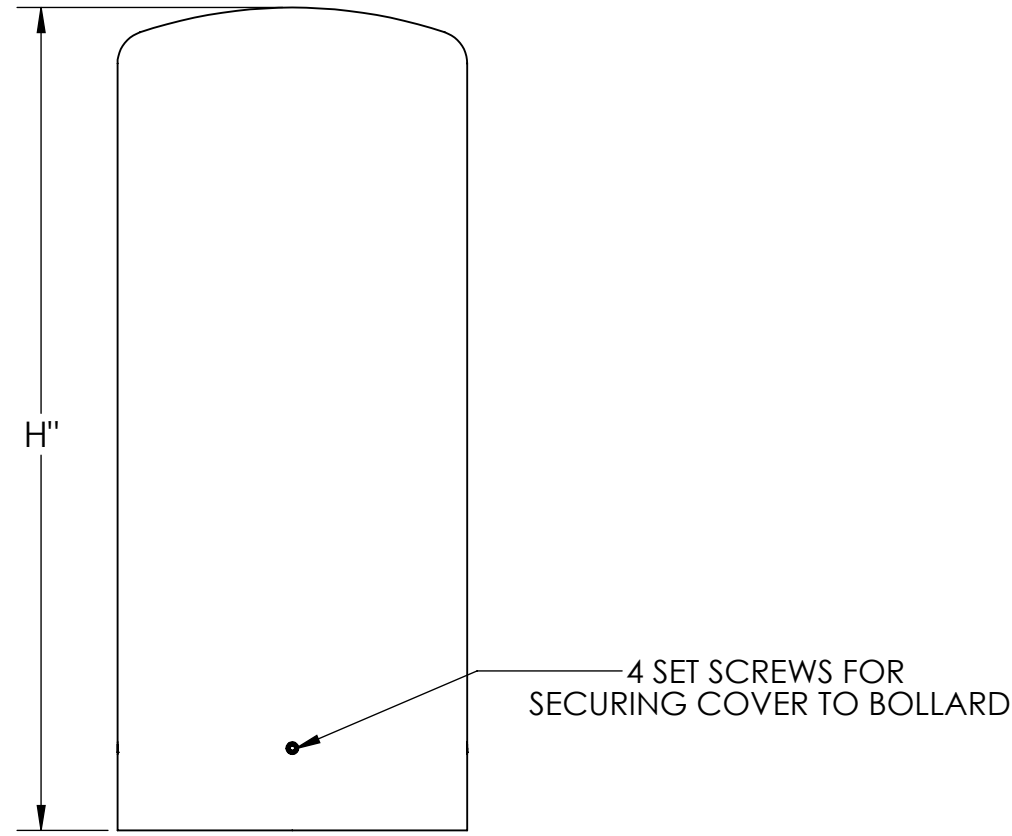
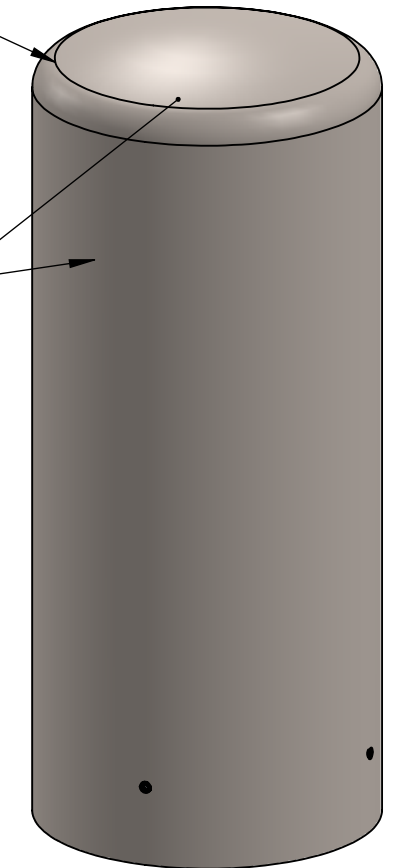
1



COVER SELECTION				
SELECTION	PART NUMBER	HEIGHT (H)	FITS BOLLARD SIZE (I.D.)	MATERIAL
	BC4D1230-8	30"	8"	304 SS
	BC4D1236-8	36"		
	BC4D1240-8	40"		
	BC4D1242-8	42"		
	BC4D1230-10	30"	10"	
	BC4D1236-10	36"		
	BC4D1240-10	40"		
	BC4D1242-10	42"		
	BC6D1230-8	30"	8"	316L SS
	BC6D1236-8	36"		
	BC6D1240-8	40"		
	BC6D1242-8	42"		
	BC6D1230-10	30"	10"	
	BC6D1236-10	36"		
	BC6D1240-10	40"		
	BC6D1242-10	42"		

TANGENT LINES SHOWN FOR CLARITY


#4 CIRCUMFERENTIAL BRUSHED FINISH



NOTE: OTHER MATERIALS/FINISHES AVAILABLE - CONTACT FOR MORE INFORMATION

NO MANUAL REVISIONS/CHANGES ALLOWED



	NAME	DATE	 <b>BARRIER DEFENSE SYSTEMS</b> <small>A SHAW STAINLESS COMPANY</small>	986 ROSEDALE DR. HIRAM, GA 30141 (678) 915-2080	
DRAWN BY	S.J.	11/21/2019			
CHECKED BY	J.HU.	11/26/2019	DESCRIPTION: 12" DOME TOP BOLLARD COVER		
PROPRIETARY AND CONFIDENTIAL THE INFORMATION CONTAINED IN THIS DRAWING IS THE SOLE PROPERTY OF SHAW STAINLESS LLC. ANY REPRODUCTION IN PART OR AS A WHOLE WITHOUT THE WRITTEN PERMISSION OF SHAW STAINLESS LLC IS PROHIBITED.			REV.	ITEM NO: SEE SELECTOR	
			SHEET 1 OF 1		

8

7

6

5

4

3

2

1