

8

7

6

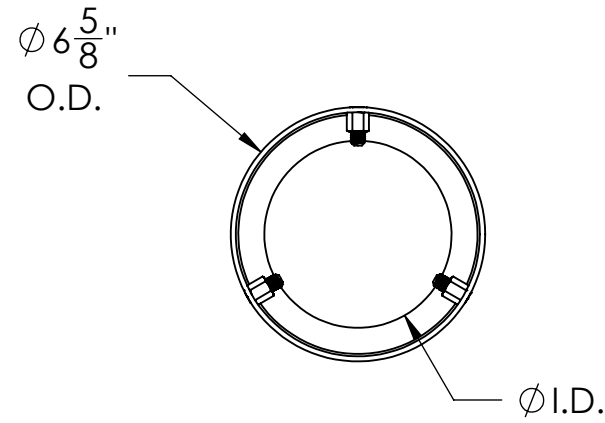
5

4

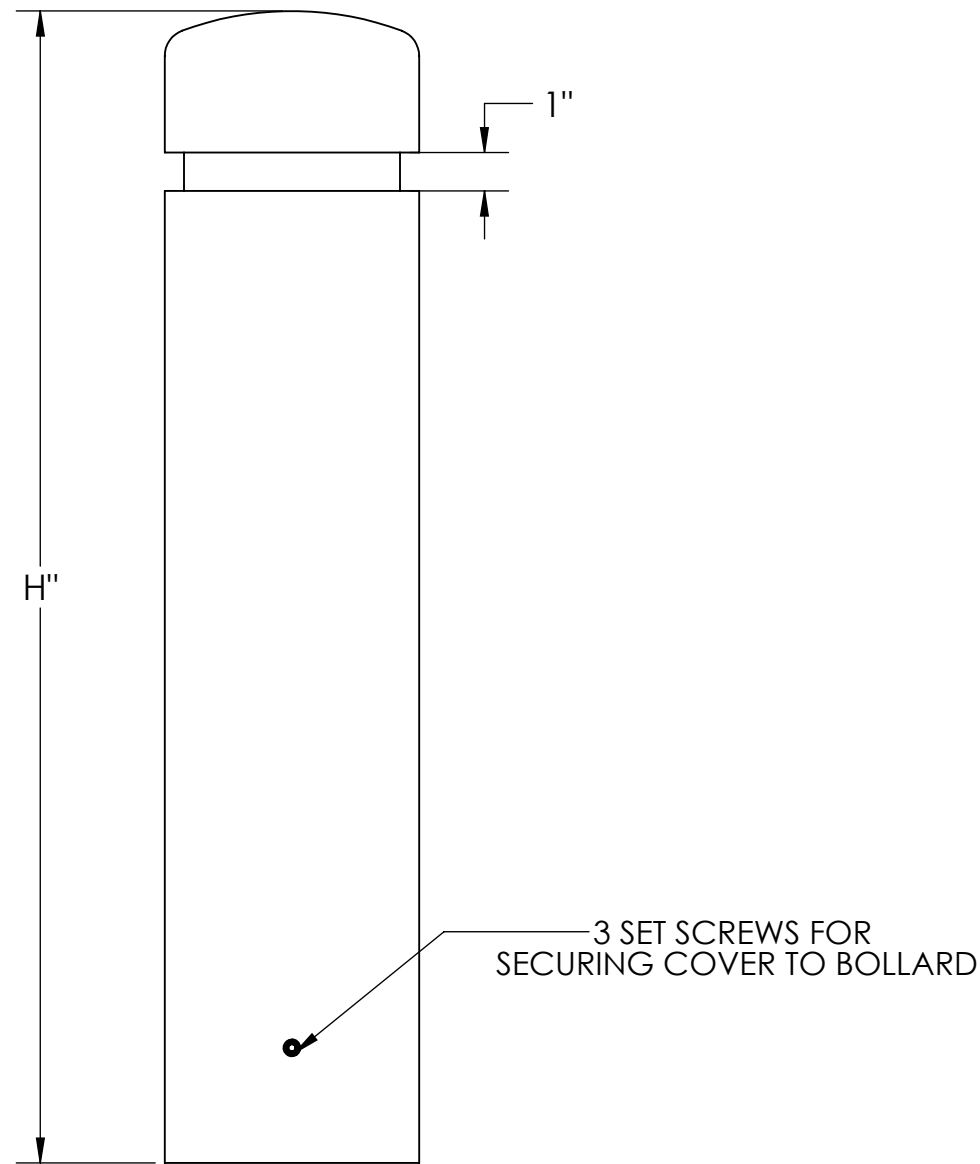
3

2

1

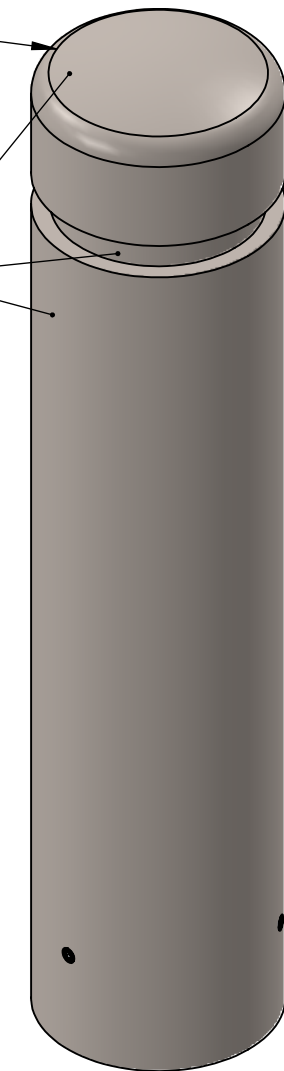


COVER SELECTION				
SELECTION	PART NUMBER	HEIGHT (H)	FITS BOLLARD SIZE (I.D.)	MATERIAL
	BCV4D10630-4	30"	4"	304 SS
	BCV4D10636-4	36"		
	BCV4D10640-4	40"		
	BCV4D10642-4	42"		
	BCV6D10630-4	30"	4"	316L SS
	BCV6D10636-4	36"		
	BCV6D10640-4	40"		
	BCV6D10642-4	42"		




TANGENT LINES SHOWN FOR CLARITY

#4 CIRCUMFERENTIAL BRUSHED FINISH ALL EXTERIOR SURFACES



NOTE: OTHER MATERIALS/FINISHES AVAILABLE - CONTACT FOR MORE INFORMATION

NO MANUAL REVISIONS/CHANGES ALLOWED

	NAME	DATE	 BARRIER DEFENSE SYSTEMS <small>A SHAW STAINLESS COMPANY</small>	986 ROSEDALE DR. HIRAM, GA 30141 (678) 915-2080
DRAWN BY	S.J.	12/10/2019		
CHECKED BY	J.HU.	12/10/2019	DESCRIPTION: 6" DOME TOP 1 REVEAL BOLLARD COVER	
PROPRIETARY AND CONFIDENTIAL THE INFORMATION CONTAINED IN THIS DRAWING IS THE SOLE PROPERTY OF SHAW STAINLESS LLC. ANY REPRODUCTION IN PART OR AS A WHOLE WITHOUT THE WRITTEN PERMISSION OF SHAW STAINLESS LLC IS PROHIBITED.			REV.	ITEM NO: SEE SELECTOR
			SHEET 1 OF 1	

8

7

6

5

4

3

2

1