

8

7

6

5

4

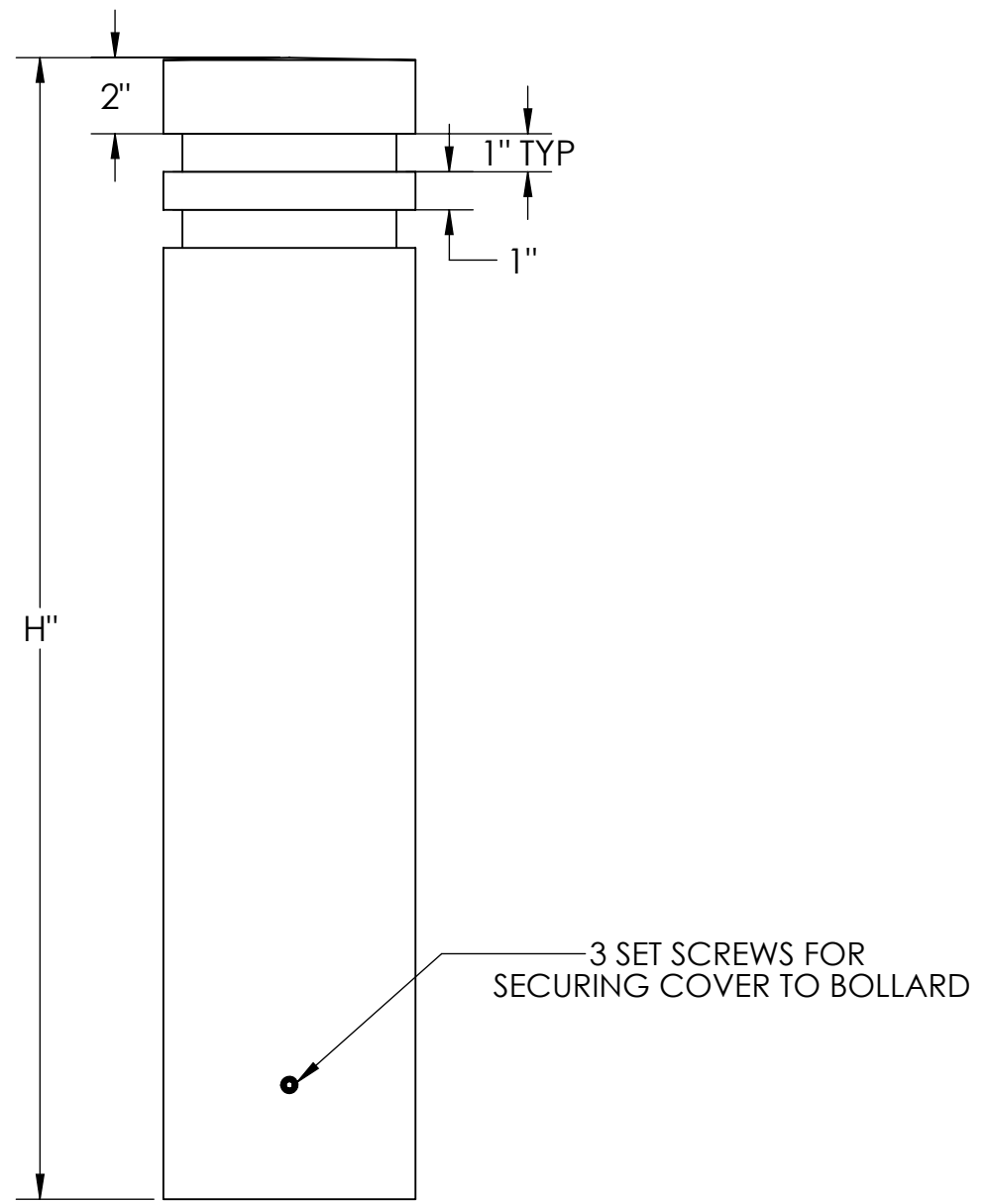
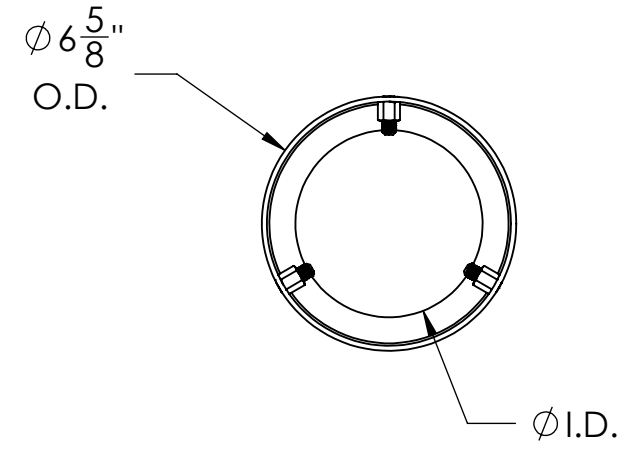
3

2

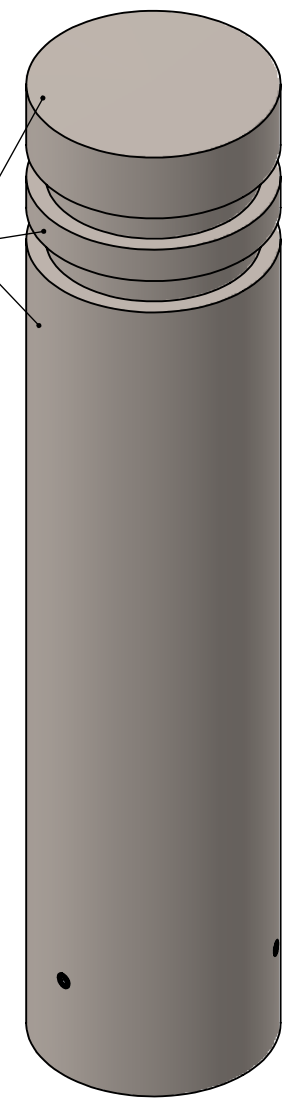
1

COVER SELECTION

SELECTION	PART NUMBER	HEIGHT (H)	FITS BOLLARD SIZE (I.D.)	MATERIAL
	BCV4F20630-4	30"	4"	304 SS
	BCV4F20636-4	36"		
	BCV4F20640-4	40"		
	BCV4F20642-4	42"		
	BCV6F20630-4	30"		316L SS
	BCV6F20636-4	36"		
	BCV6F20640-4	40"		
	BCV6F20642-4	42"		



#4 CIRCUMFERENTIAL BRUSHED FINISH TYP ALL EXTERIOR SURFACES



NOTE: OTHER MATERIALS/FINISHES AVAILABLE - CONTACT FOR MORE INFORMATION

NO MANUAL REVISIONS/CHANGES ALLOWED

	NAME	DATE	BARRIER DEFENSE SYSTEMS <small>A SHAW STAINLESS COMPANY</small>	986 ROSEDALE DR. HIRAM, GA 30141 (678) 915-2080
DRAWN BY	S.J.	12/10/2019		
CHECKED BY	J.HU.	12/10/2019	DESCRIPTION:	6" FLAT TOP 2 REVEAL BOLLAD COVER
PROPRIETARY AND CONFIDENTIAL THE INFORMATION CONTAINED IN THIS DRAWING IS THE SOLE PROPERTY OF SHAW STAINLESS LLC. ANY REPRODUCTION IN PART OR AS A WHOLE WITHOUT THE WRITTEN PERMISSION OF SHAW STAINLESS LLC IS PROHIBITED.			REV.	ITEM NO: SEE SELECTOR
				SHEET 1 OF 1

8

7

6

5

4

3

2

1