

8

7

6

5

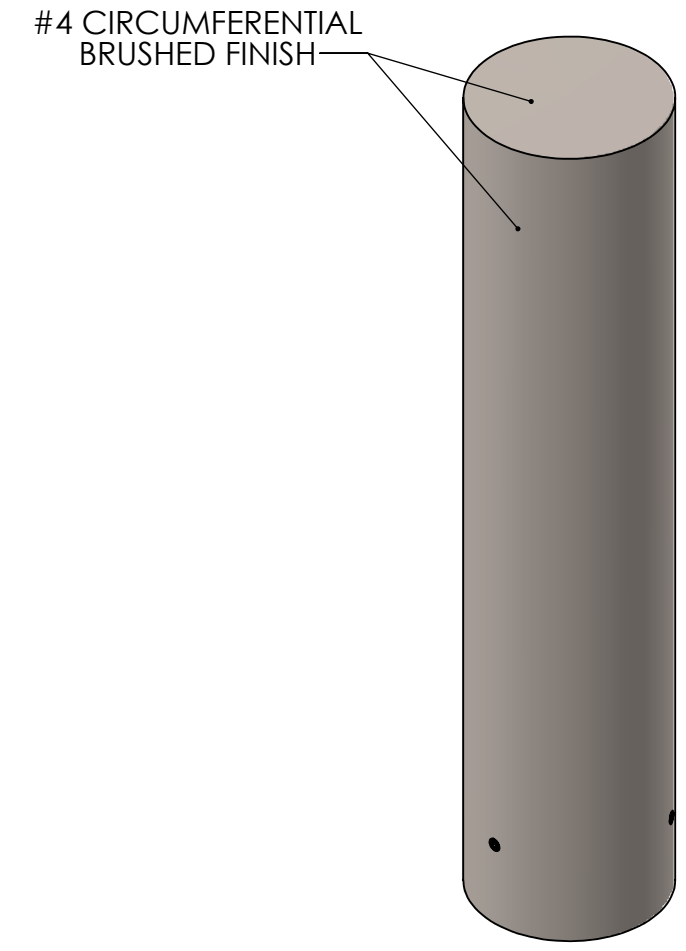
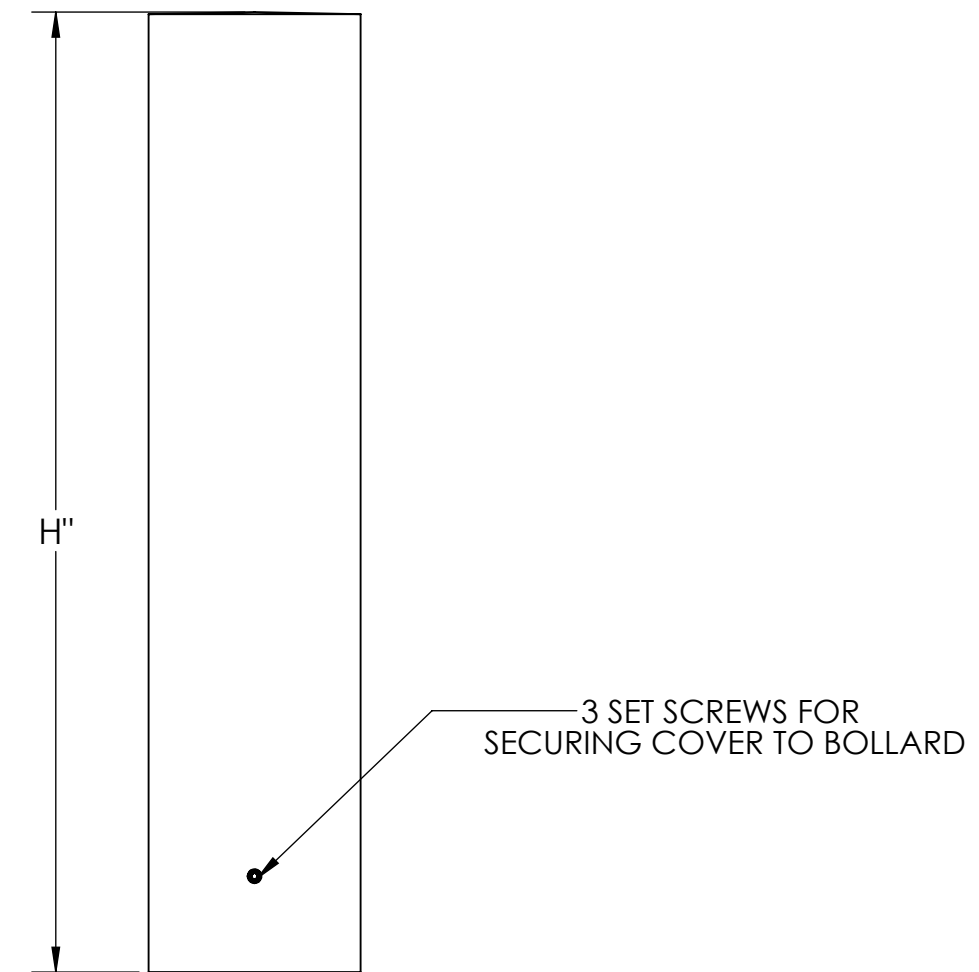
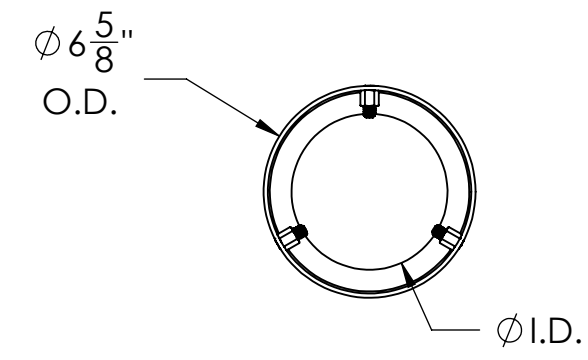
4

3

2


1

COVER SELECTION				
SELECTION	PART NUMBER	HEIGHT (H)	FITS BOLLARD SIZE (I.D.)	MATERIAL
	BC4F0630-4	30"	4"	304 SS
	BC4F0636-4	36"		
	BC4F0640-4	40"		
	BC4F0642-4	42"		
	BC6F0630-4	30"		316L SS
	BC6F0636-4	36"		
	BC6F0640-4	40"		
	BC6F0642-4	42"		



NOTE: OTHER MATERIALS/FINISHES AVAILABLE - CONTACT FOR MORE INFORMATION

NO MANUAL REVISIONS/CHANGES ALLOWED

	NAME	DATE	 BARRIER DEFENSE SYSTEMS <small>A SHAW STAINLESS COMPANY</small>	986 ROSEDALE DR. HIRAM, GA 30141 (678) 915-2080
DRAWN BY	S.J.	11/5/2019		
CHECKED BY	J.HU.	11/26/2019	DESCRIPTION:	
			6" FLAT TOP BOLLARD COVER	
PROPRIETARY AND CONFIDENTIAL THE INFORMATION CONTAINED IN THIS DRAWING IS THE SOLE PROPERTY OF SHAW STAINLESS LLC. ANY REPRODUCTION IN PART OR AS A WHOLE WITHOUT THE WRITTEN PERMISSION OF SHAW STAINLESS LLC IS PROHIBITED.			REV.	ITEM NO:
			SEE SELECTOR	
			SHEET 1 OF 1	

8

7

6

5

4

3

2

1