

8

7

6

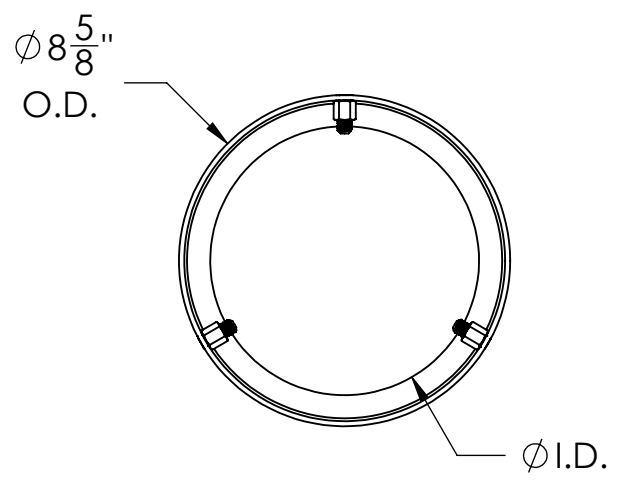
5

4

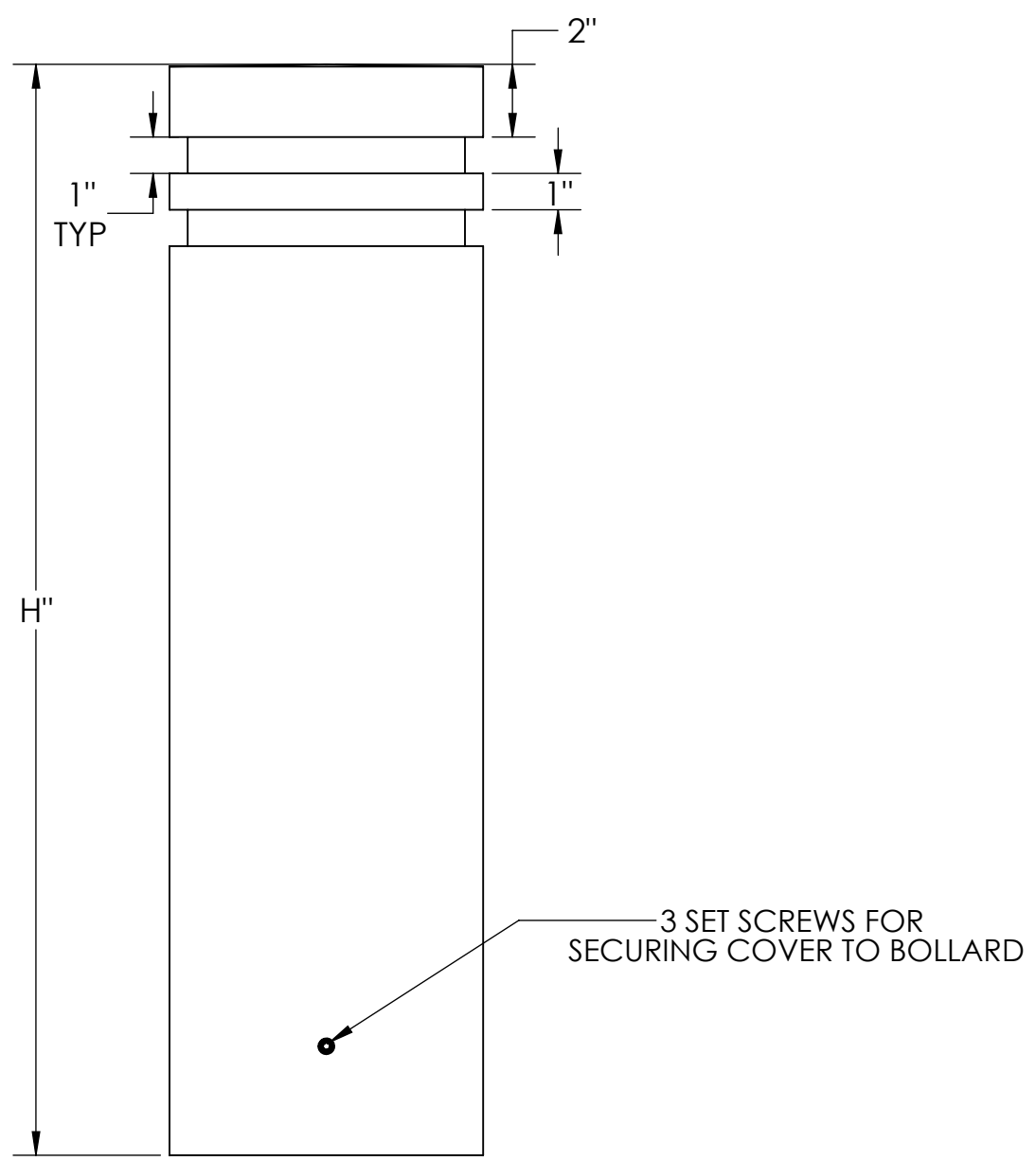
3

2

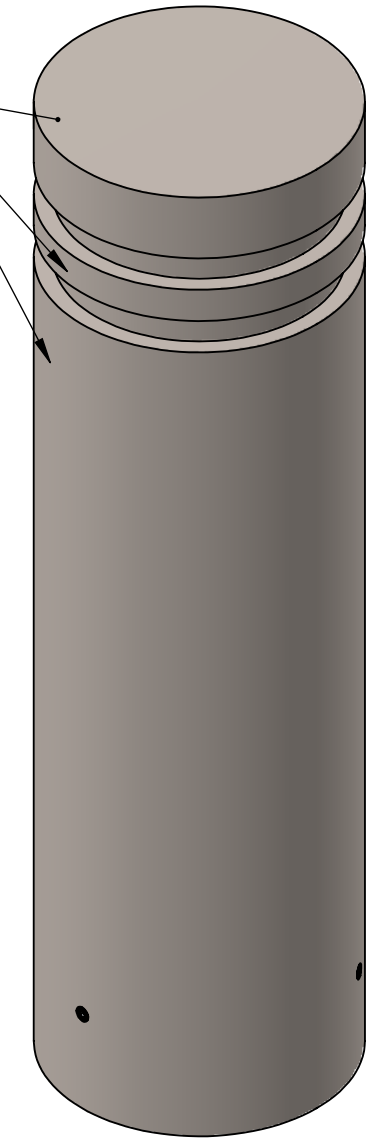
1




COVER SELECTION				
SELECTION	PART NUMBER	HEIGHT (H)	FITS BOLLARD SIZE (I.D.)	MATERIAL
	BCV4D10630-4	30"	4"	304 SS
	BCV4D10636-4	36"		
	BCV4D10640-4	40"		
	BCV4D10642-4	42"		
	BCV6D10630-4	30"		316L SS
	BCV6D10636-4	36"		
	BCV6D10640-4	40"		
	BCV6D10642-4	42"		



#4 CIRCUMFERENTIAL BRUSHED FINISH TYP ALL EXTERIOR SURFACES



NOTE: OTHER MATERIALS/FINISHES AVAILABLE - CONTACT FOR MORE INFORMATION

	NAME	DATE	 BARRIER DEFENSE SYSTEMS <small>A SHAW STAINLESS COMPANY</small>	986 ROSEDALE DR. HIRAM, GA 30141 (678) 915-2080	
DRAWN BY	S.J.	12/12/2019			
CHECKED BY	J.HU.	12/12/2019	DESCRIPTION:		
			8" FLAT TOP 2 REVEAL BOLLARD COVER		
			REV.	ITEM NO:	SEE SELECTOR
			SHEET 1 OF 1		

NO MANUAL REVISIONS/CHANGES ALLOWED

8

7

6

5

4

3

2

1