

8

7

6

5

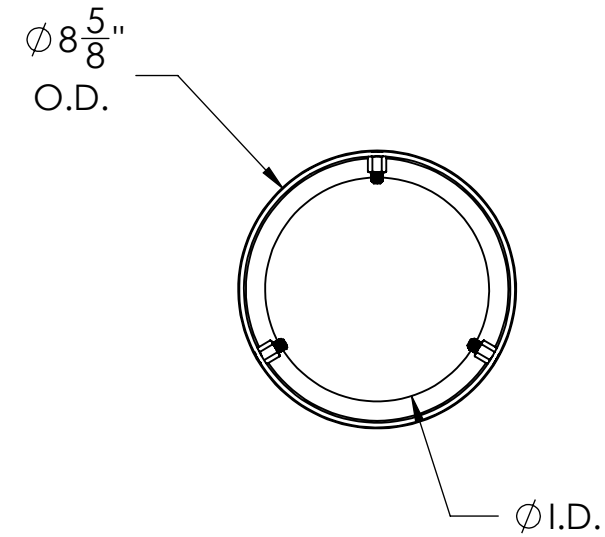
4

3

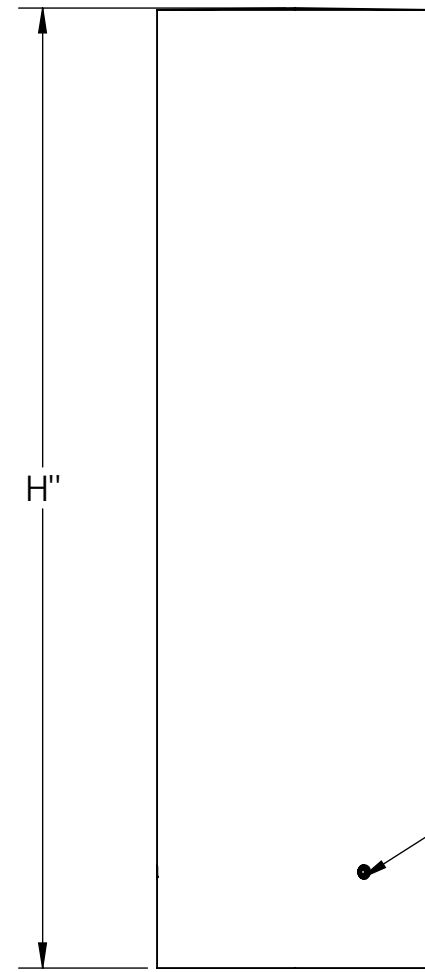
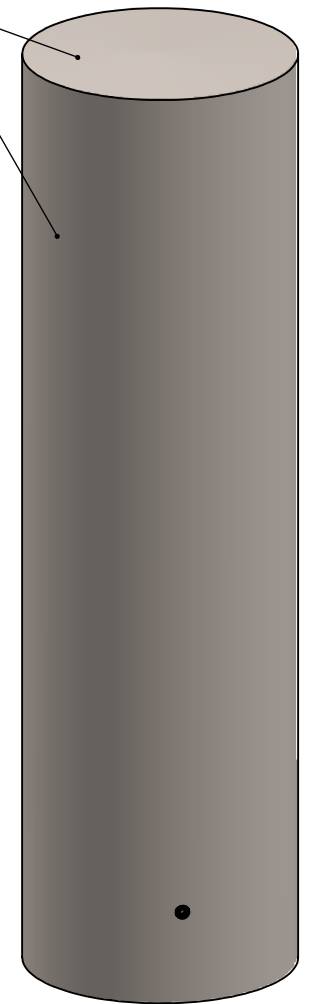
2

1

COVER SELECTION				
SELECTION	PART NUMBER	HEIGHT (H)	FITS BOLLARD SIZE (I.D.)	MATERIAL
	BC4F0830-6	30"	6"	304 SS
	BC4F0836-6	36"		
	BC4F0840-6	40"		
	BC4F0842-6	42"		
	BC6F0830-6	30"		316L SS
	BC6F0836-6	36"		
	BC6F0840-6	40"		
	BC6F0842-6	42"		




#4 CIRCUMFERENTIAL BRUSHED FINISH



3 SET SCREWS FOR SECURING COVER TO BOLLARD

NOTE: OTHER MATERIALS/FINISHES AVAILABLE - CONTACT FOR MORE INFORMATION

NO MANUAL REVISIONS/CHANGES ALLOWED

	NAME	DATE	 BARRIER DEFENSE SYSTEMS <small>A SHAW STAINLESS COMPANY</small>	986 ROSEDALE DR. HIRAM, GA 30141 (678) 915-2080
DRAWN BY	S.J.	11/21/2019		
CHECKED BY	J.HU.	11/26/2019	DESCRIPTION:	
			8" FLAT TOP BOLLARD COVER	
PROPRIETARY AND CONFIDENTIAL THE INFORMATION CONTAINED IN THIS DRAWING IS THE SOLE PROPERTY OF SHAW STAINLESS LLC. ANY REPRODUCTION IN PART OR AS A WHOLE WITHOUT THE WRITTEN PERMISSION OF SHAW STAINLESS LLC IS PROHIBITED.			REV.	ITEM NO:
			SEE SELECTOR	
			SHEET 1 OF 1	



8

7

6

5

4

3

2

1