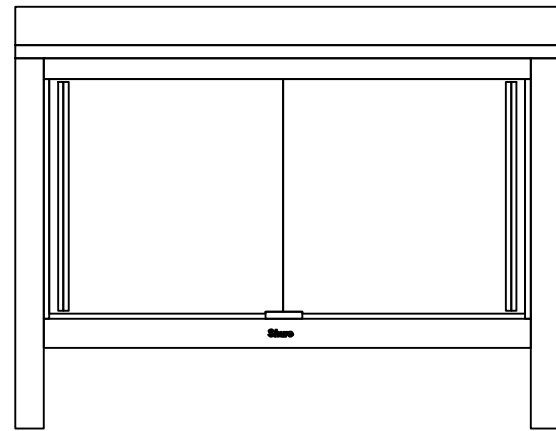
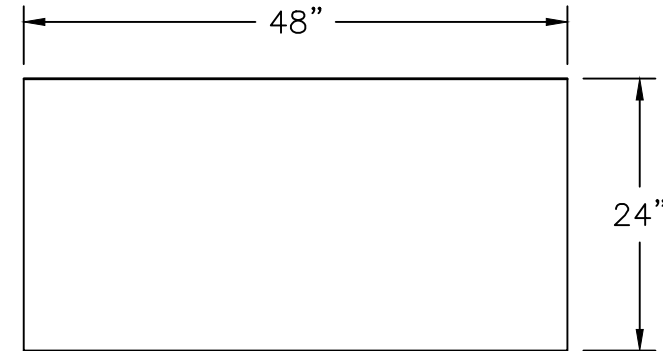


SHURE MODEL# 780032 48" WORKBENCH

FRONT VIEW

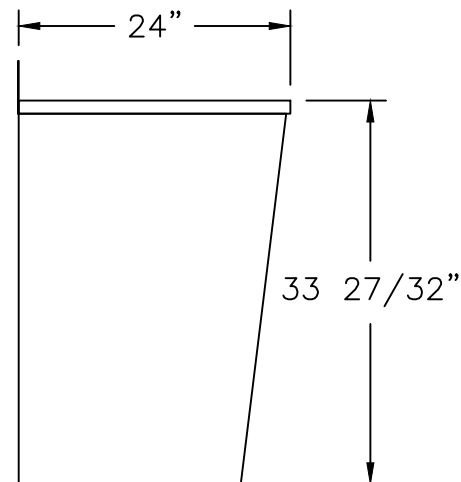


TOP VIEW



UNIT SHOWN WITH 1 5/32"H ST. ST. TOP
W/CORE, USE 1 3/4"H FOR HARDWOOD
TOP & 1 1/2"H FOR STEEL TOP

VARIOUS SIZES AND OPTIONS AVAILABLE



SIDE VIEW

STANDARD TOLERANCES INCHES
(EXCEPT AS NOTED)

DECIMAL	FRACTIONAL	ANGULAR
±0.1	±1/16"	±2°

Shure® Shure Manufacturing Corporation
1901 West Main Street
Washington, Missouri 63090 U.S.A.

This drawing is and includes information proprietary to Shure Manufacturing Corporation. All use is prohibited except by written consent.

DRAWN BY:
JP 5/2/18

DRAWING NO.
780032