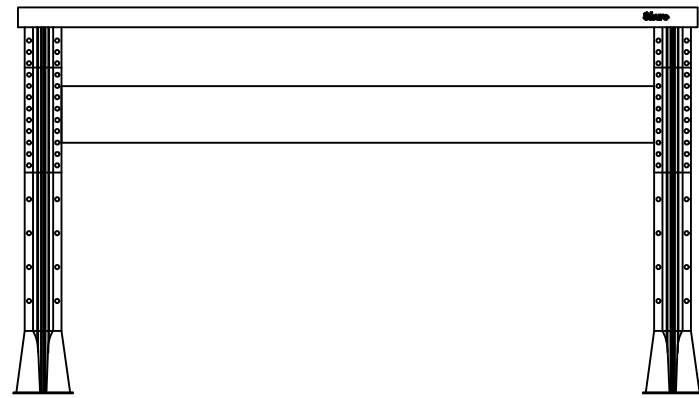
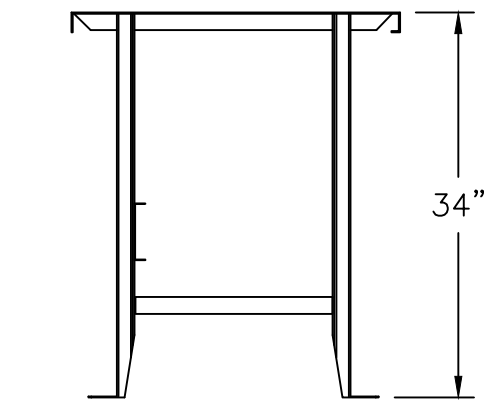
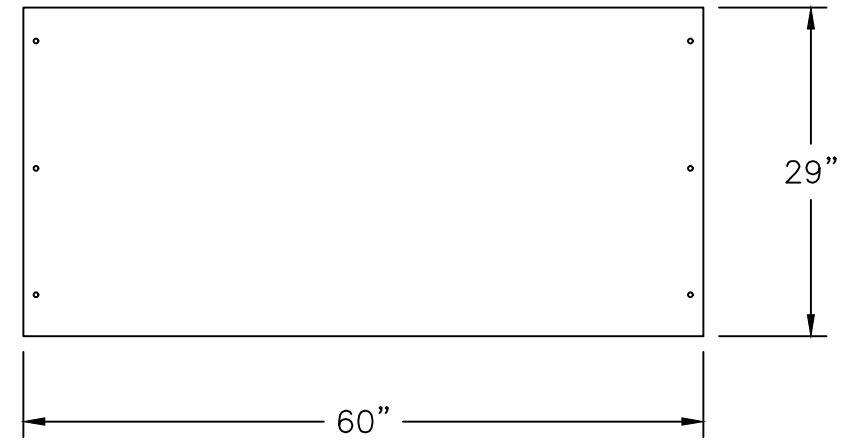


SHURE MODEL# 811039 60" WORKBENCH

FRONT VIEW



TOP VIEW



SIDE VIEW

VARIOUS SIZES AND OPTIONS AVAILABLE

STANDARD TOLERANCES INCHES
(EXCEPT AS NOTED)

DECIMAL	FRACTIONAL	ANGULAR
±0.1	±1/16"	±2°

Shure® *Shure Manufacturing Corporation
1901 West Main Street
Washington, Missouri 63090 U.S.A.*

This drawing is and includes information proprietary to Shure Manufacturing Corporation. All use is prohibited except by written consent.

DRAWN BY:
JP 5/2/18

DRAWING NO.
811039