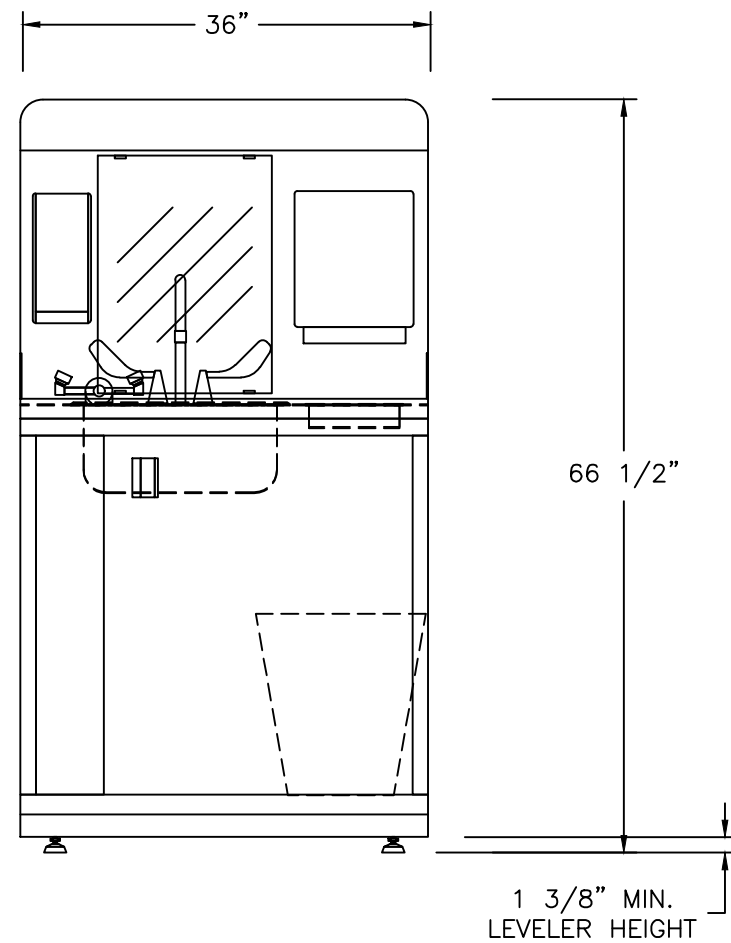
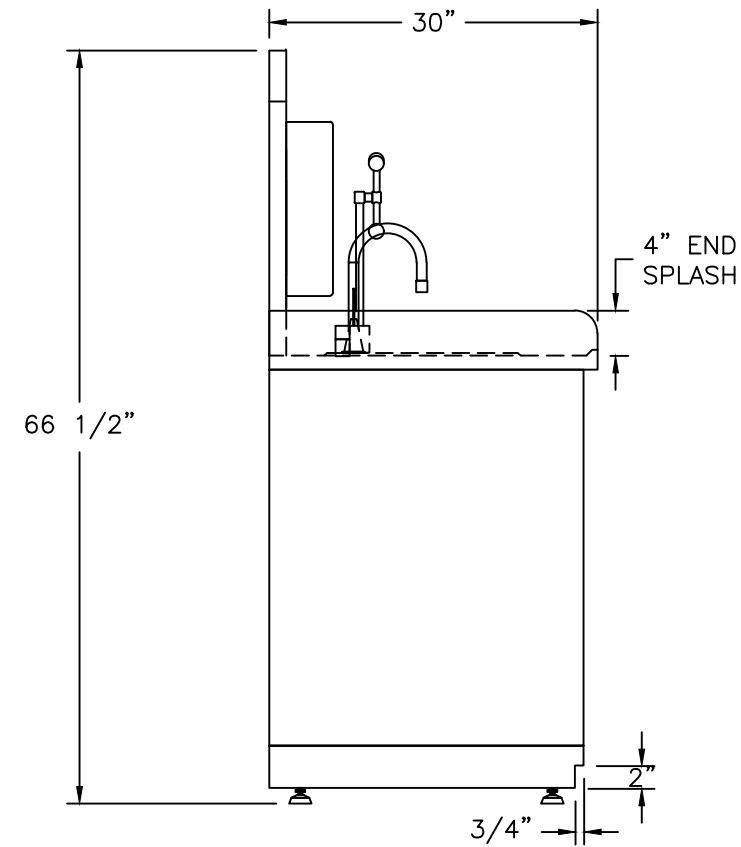


# SHURE MODEL# 811164 36" BASIC SAFETY STATION

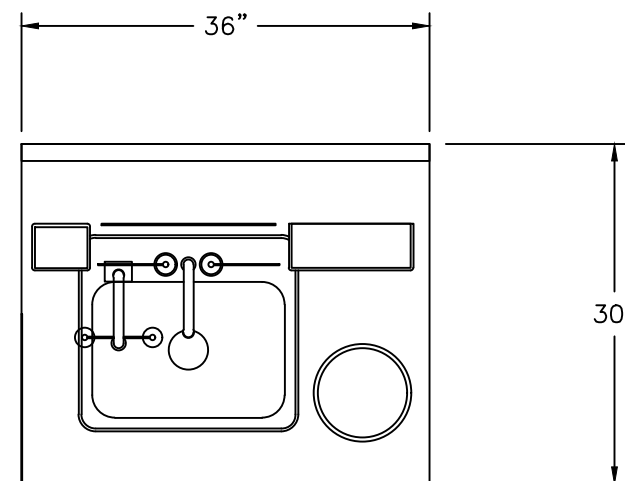
FRONT VIEW



SIDE VIEW



TOP VIEW



STANDARD TOLERANCES INCHES  
(EXCEPT AS NOTED)

DECIMAL	FRACTIONAL	ANGULAR
±0.1	±1/16"	±2°

**Shure**® Shure Manufacturing Corporation  
1901 West Main Street  
Washington, Missouri 63090 U.S.A.

This drawing is and includes information proprietary to Shure Manufacturing Corporation. All use is prohibited except by written consent.

DRAWN BY:

JP 5/2/18

DRAWING NO.

811164