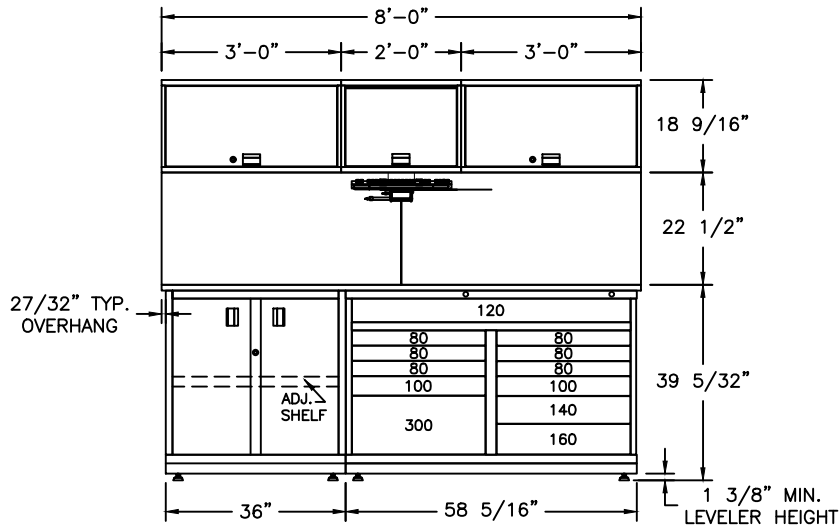
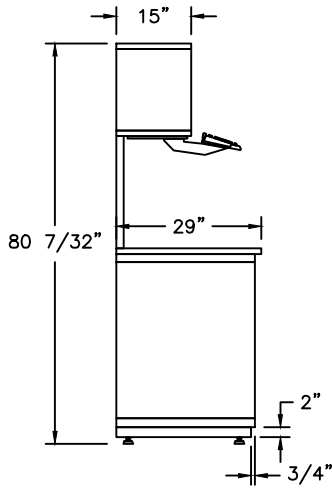
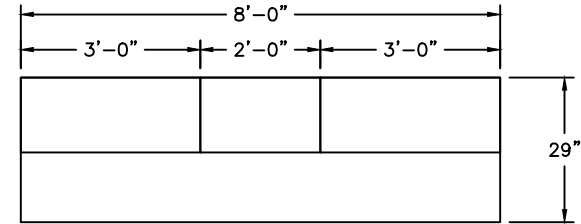


SHURE MODEL# STS-S1 8' PRE-CONFIGURED WORKSTATION

FRONT VIEW



TOP VIEW



SIDE VIEW

VARIOUS SIZES AND OPTIONS AVAILABLE

STANDARD TOLERANCES INCHES
(EXCEPT AS NOTED)

DECIMAL	FRACTIONAL	ANGULAR
±0.1	±1/16"	±2°

Shure Shure Manufacturing Corporation
1901 West Main Street
Washington, Missouri 63090 U.S.A.

This drawing is and includes information proprietary to Shure Manufacturing Corporation. All use is prohibited except by written consent.

DRAWN BY: JP 5/2/18	DRAWING NO. STS-S1
------------------------	-----------------------