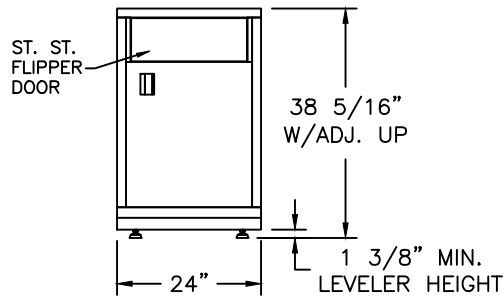
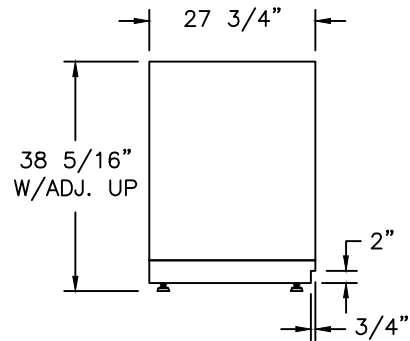
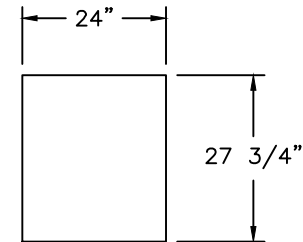


SHURE MODEL# TC-24 TRASH CABINET

FRONT VIEW



TOP VIEW



SIDE VIEW

VARIOUS SIZES AND OPTIONS AVAILABLE

CABINET DOES NOT INCLUDE A TOP, MUST BE ORDERED SEPARATELY

TRASH CAN INCLUDED

STANDARD TOLERANCES INCHES
(EXCEPT AS NOTED)

DECIMAL	FRACTIONAL	ANGULAR
±0.1	±1/16"	±2°

Shure Shure Manufacturing Corporation
1901 West Main Street
Washington, Missouri 63090 U.S.A.

This drawing is and includes information proprietary to Shure Manufacturing Corporation. All use is prohibited except by written consent.

DRAWN BY:
JP 5/2/18

DRAWING NO.
TC-24