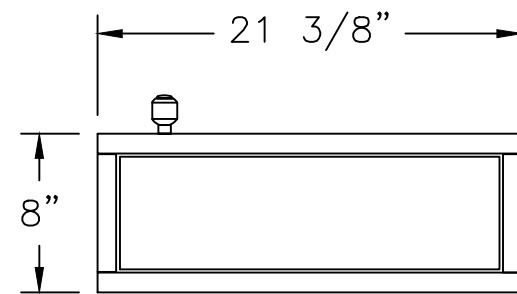
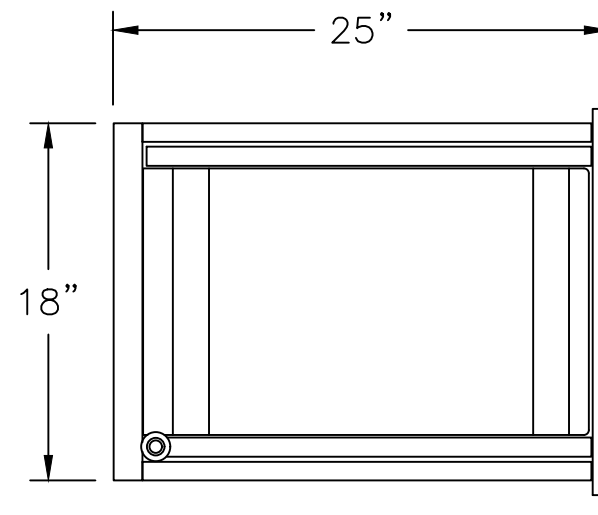


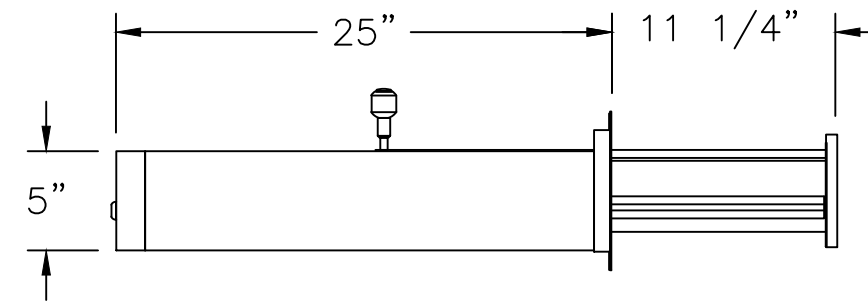
Model SPT150 Thru-Wall Drawer w/full Length Deal Tray




FRONT VIEW



TOP VIEW



SIDE VIEW

STANDARD TOLERANCES INCHES (EXCEPT AS NOTED)		
DECIMAL	FRACTIONAL	ANGULAR
±0.1	±1/16"	±2°
 <i>Shure Manufacturing Corporation 1901 West Main Street Washington, Missouri 63090 U.S.A.</i>		
<small>This drawing is and includes information proprietary to Shure Manufacturing Corporation. All use is prohibited except by written consent.</small>		
DRAWN BY: MN 01-20-09		DRAWING NO. SPT150_LINE