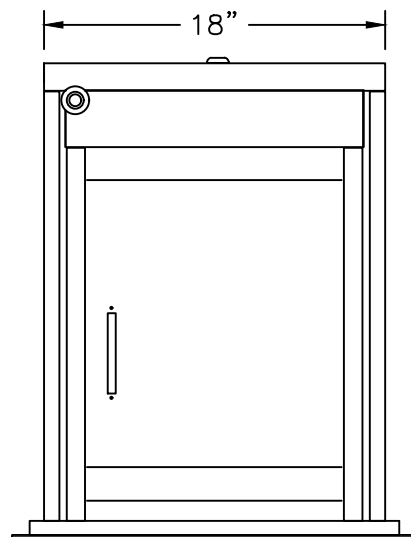
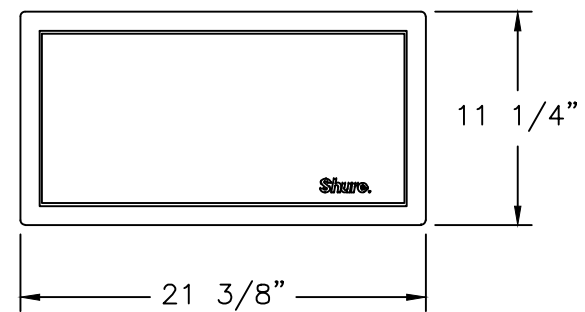


Model SPT198 Thru-Wall Drawer

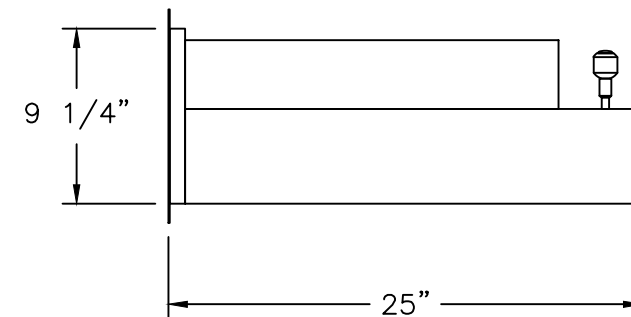
TOP VIEW



FRONT VIEW



SIDE VIEW



STANDARD TOLERANCES INCHES
(EXCEPT AS NOTED)

DECIMAL	FRACTIONAL	ANGULAR
±0.1	±1/16"	±2°

Shure® Shure Manufacturing Corporation
1901 West Main Street
Washington, Missouri 63090 U.S.A.

This drawing is and includes information proprietary to Shure Manufacturing Corporation. All use is prohibited except by written consent.

DRAWN BY: SM 02-21-17	DRAWING NO. SPT198_LINE
--------------------------	----------------------------