

### EXTERIOR ELEVATION

NOT TO SCALE

~ SOLAR INNOVATIONS' CLEAR GLASS WALL SYSTEM ~

"INTERIOR"



"EXTERIOR"

### PLAN VIEW

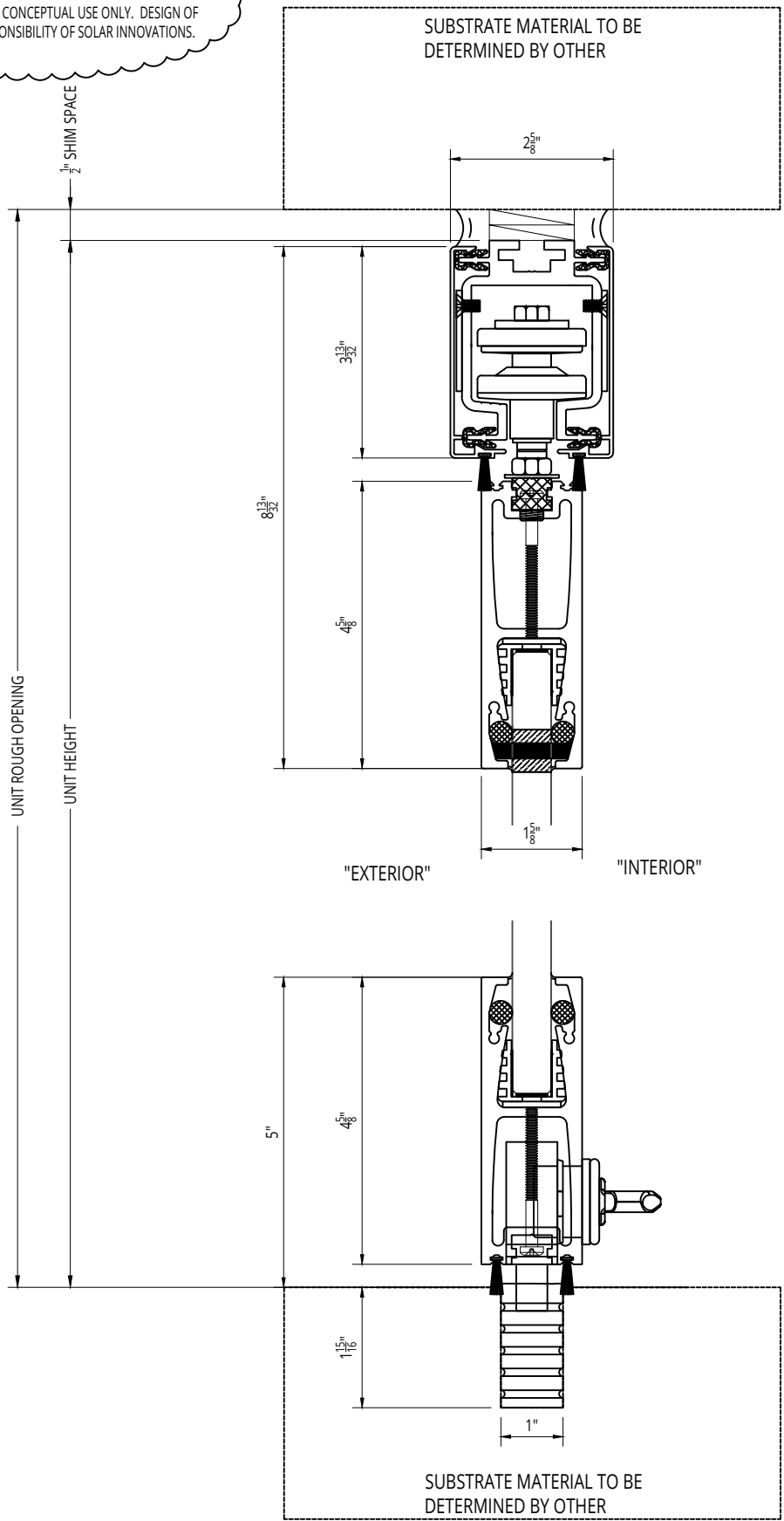
NOT TO SCALE



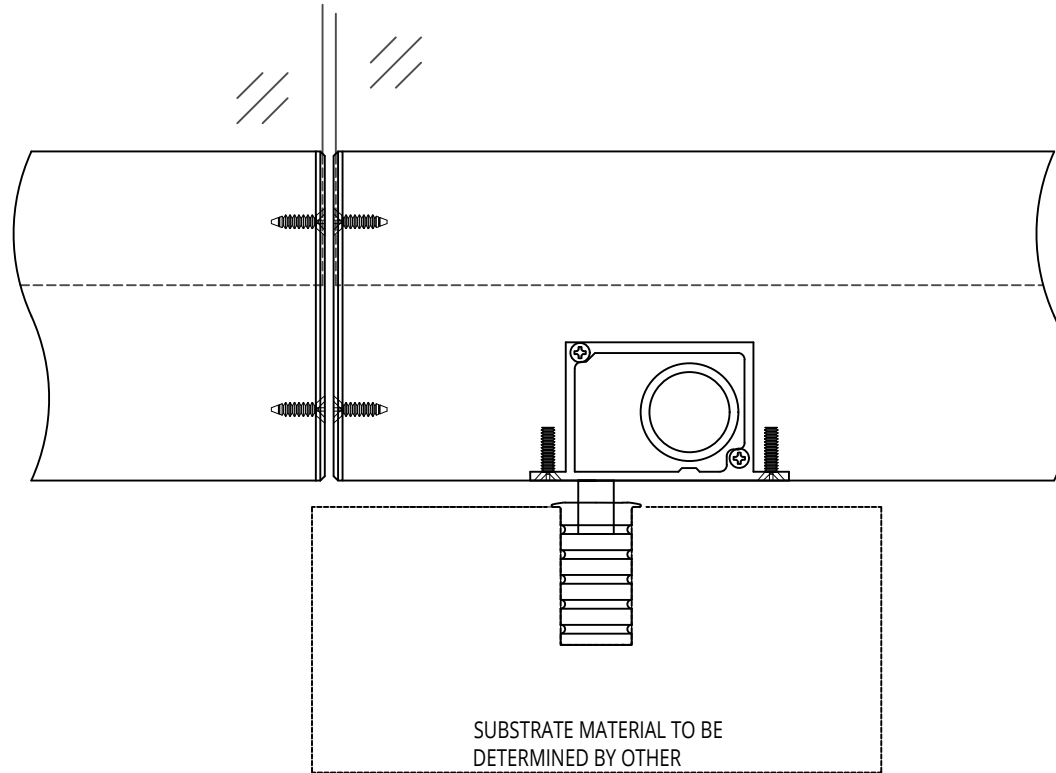
UNIT INFORMATION
FRAMING TYPE: Clear Glass Wall
GLAZING SET UP: Opening for $\frac{1}{4}$ " - $\frac{5}{8}$ " Single Pane or Laminated Glazing, Polycarbonate, or Solid Panel Infill
Decorative interior and exterior low profile grid option.
Maximum Panel Height Dimension 108". Larger Panels may be available upon Engineering Approval
Designed and Manufactured in the U.S.A.

© 2017 Solar Innovations, Inc. - All Rights Reserved. These plans are the property of Solar Innovations, Inc. Any use or reproduction of these plans, in whole or in part, without the written permission of Solar Innovations, Inc. is forbidden.

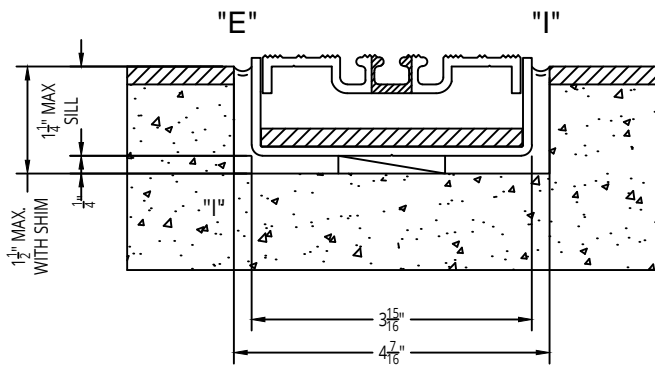
STRUCTURAL HEADER NOTE:  
 STRUCTURAL HEADER [ NOT BY SOLAR INNOVATIONS ]  
 REQUIRED TO SUPPORT WEIGHT OF SLIDE AND STACK WALL.  
 HEAD DETAIL SHOWN FOR CONCEPTUAL USE ONLY. DESIGN OF  
 HEADER IS NOT THE RESPONSIBILITY OF SOLAR INNOVATIONS.



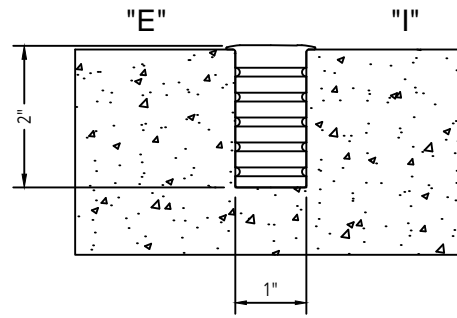
© 2017 Solar Innovations, Inc. - All Rights Reserved. These plans are the property of Solar Innovations, Inc. Any use or reproduction of these plans, in whole or in part, without the written permission of Solar Innovations, Inc. is forbidden.



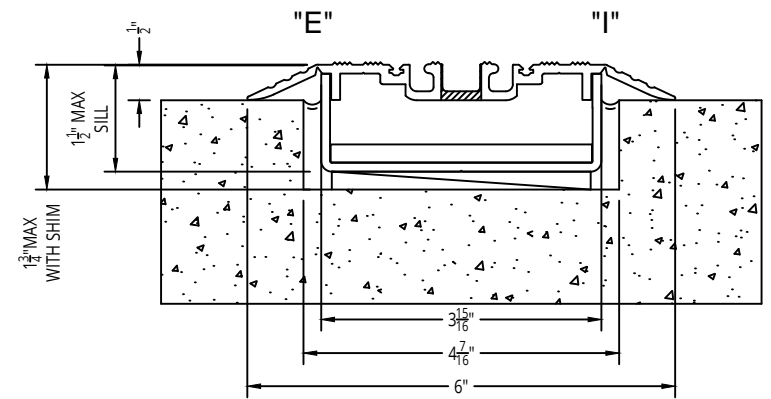
© 2017 Solar Innovations, Inc. - All Rights Reserved. These plans are the property of Solar Innovations, Inc. Any use or reproduction of these plans, in whole or in part, without the written permission of Solar Innovations, Inc. is forbidden.



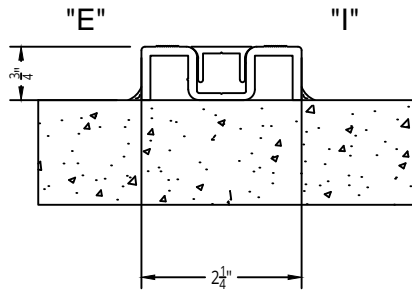
**TANK SILL**  
 LIMITED TO NO AIR AND WATER  
 MEETS ADA REQUIREMENTS  
 CLR OR DK BRZ ANODIZED



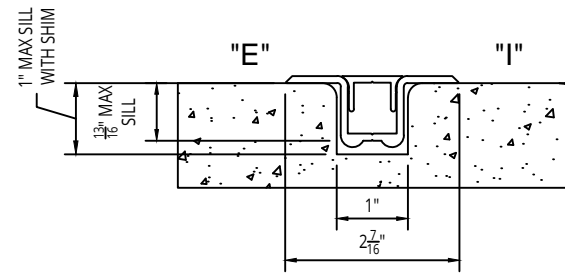
**DUST PROOF STRIKE**  
 LIMITED TO NO AIR AND WATER  
 MEETS ADA REQUIREMENTS  
 CLR OR DK BRZ ANODIZED



**TANK SILL WITH RAMPS**  
 LIMITED TO NO AIR AND WATER  
 MEETS ADA REQUIREMENTS  
 CLR OR DK BRZ ANODIZED

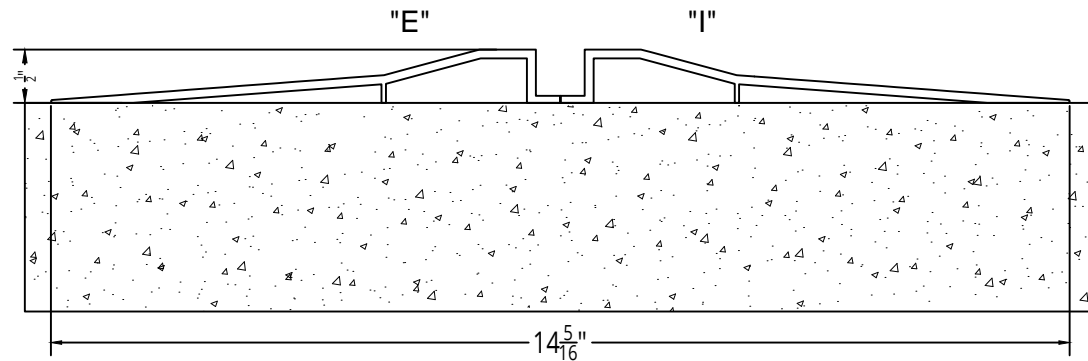


**SURFACE MOUNTED SILL**  
 LIMITED AIR AND WATER  
 SIMILAR TO COMMERCIAL DOOR  
 MUST CHOOSE PAINT COLOR



**RECESSED FLUSH HAT SILL**  
 LIMITED TO NO AIR AND WATER  
 MEETS ADA REQUIREMENTS  
 CLR OR DK BRZ ANODIZED

**ADA SURFACE MOUNT SILL**  
 LIMITED WATER RESISTANCE  
 SIMILAR TO COMMERCIAL DOOR  
 CLR OR DK BRZ ANODIZED



© 2017 Solar Innovations, Inc. - All Rights Reserved. These plans are the property of Solar Innovations, Inc. Any use or reproduction of these plans, in whole or in part, without the written permission of Solar Innovations, Inc. is forbidden.