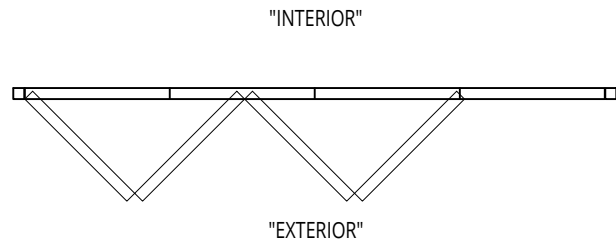


## EXTERIOR ELEVATION

NOT TO SCALE

~ SOLAR INNOVATIONS' ALL WALL SYSTEM ~

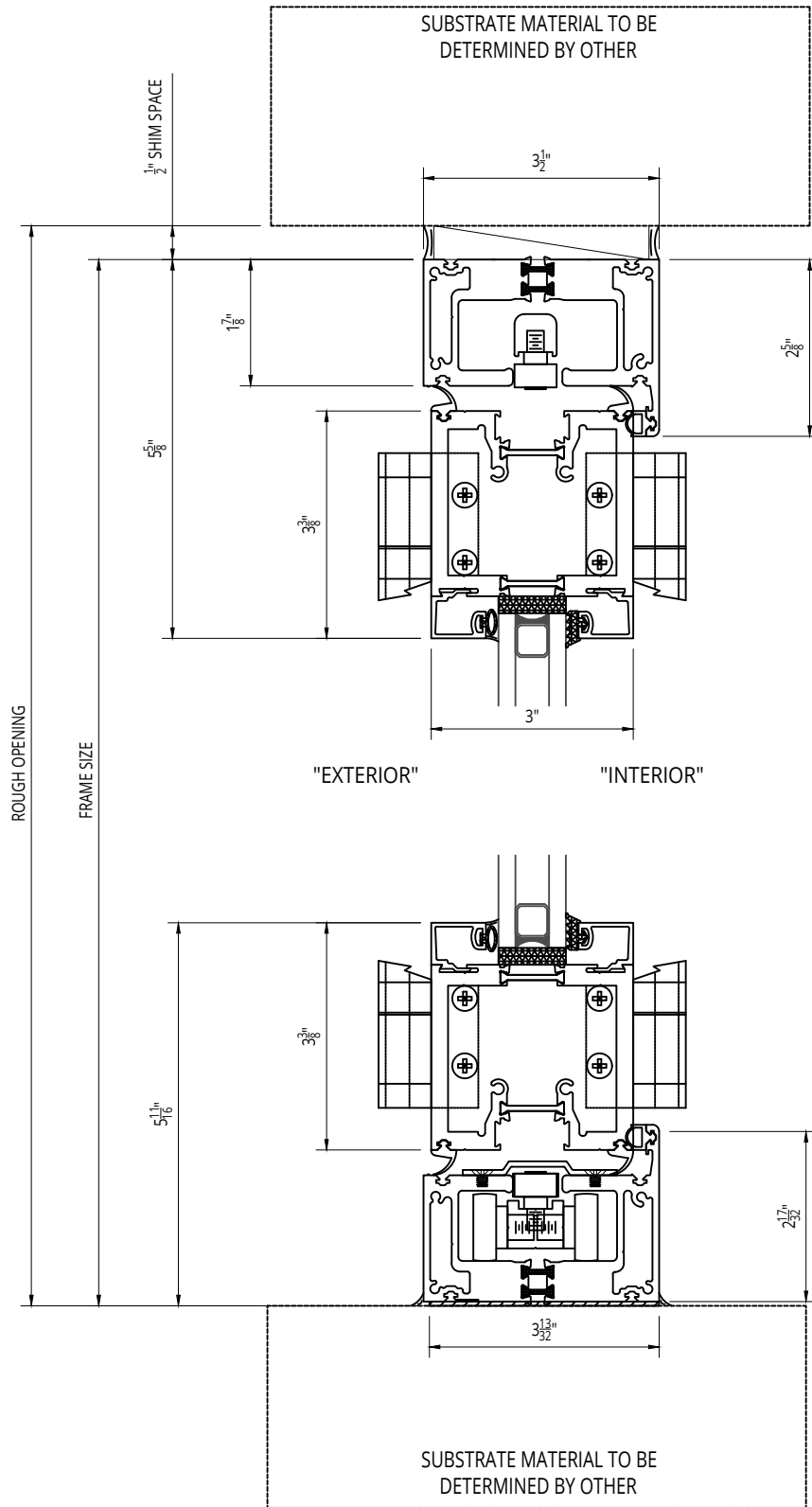


## PLAN VIEW

NOT TO SCALE

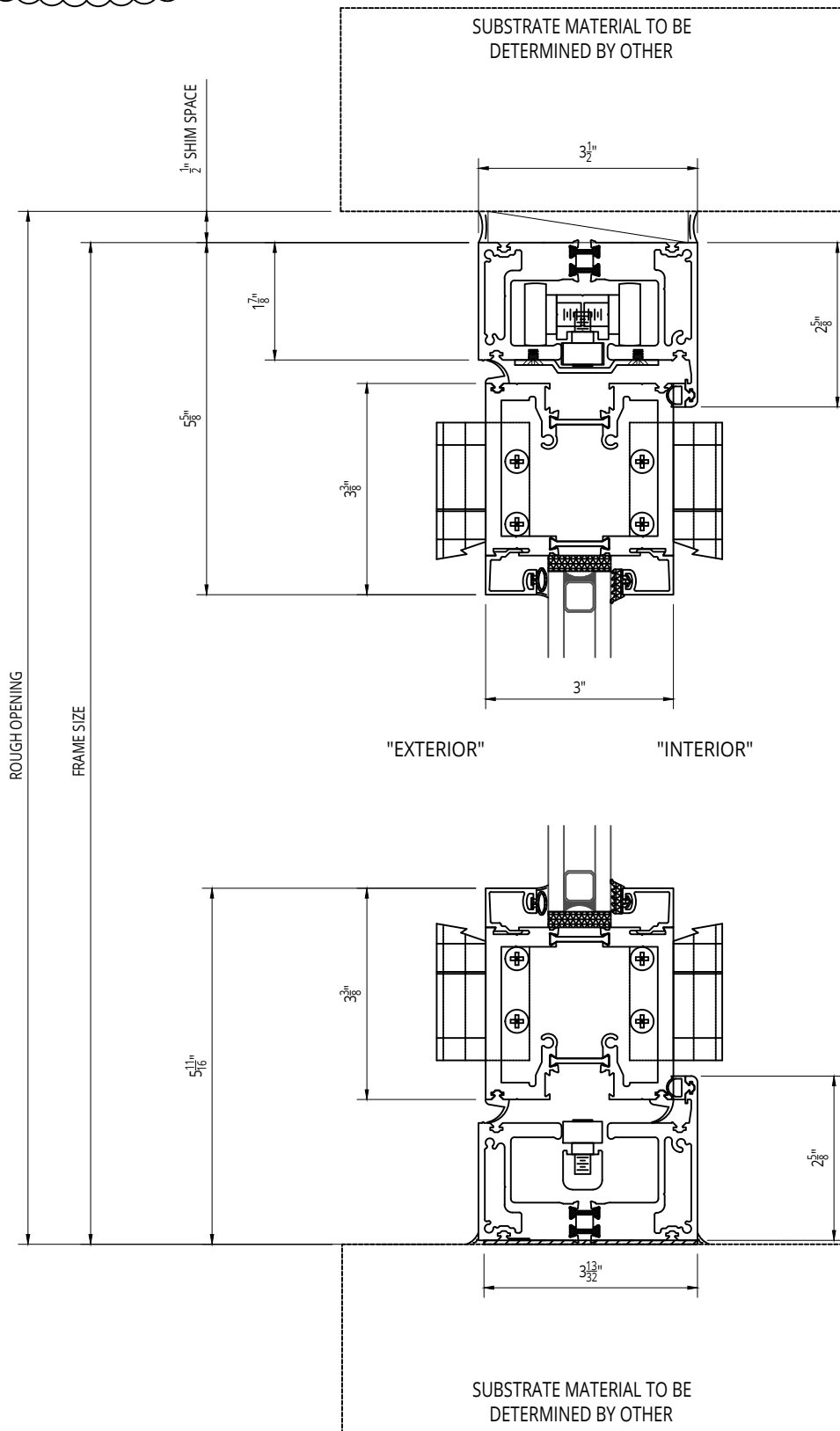
UNIT INFORMATION
FRAMING TYPE: G3 Standard Framing with Insular Thermal Break
GLAZING SET UP: Opening for $\frac{3}{16}$ " Monolithic Glazing to $1\frac{1}{4}$ " Insulated Glazing, Polycarbonate, or Solid Panel Infill
Zero Maintenance Extruded Aluminum Hinges with Stainless Steel Pin
Decorative Interior and Exterior Grid Options
Horizontal and Vertical Mullion Options
Minimum Panel Dimension 24" x 48". Smaller Panels may be available upon Engineering Approval
Maximum Panel Dimension 60" x 120". Larger Panels may be available upon Engineering Approval
Designed and Manufactured in the U.S.A.

© 2017 Solar Innovations, Inc. - All Rights Reserved. These plans are the property of Solar Innovations, Inc. Any use or reproduction of these plans, in whole or in part, without the written permission of Solar Innovations, Inc. is forbidden. PRELIMINARY DETAILS ONLY, NOT FOR CONSTRUCTION USE.

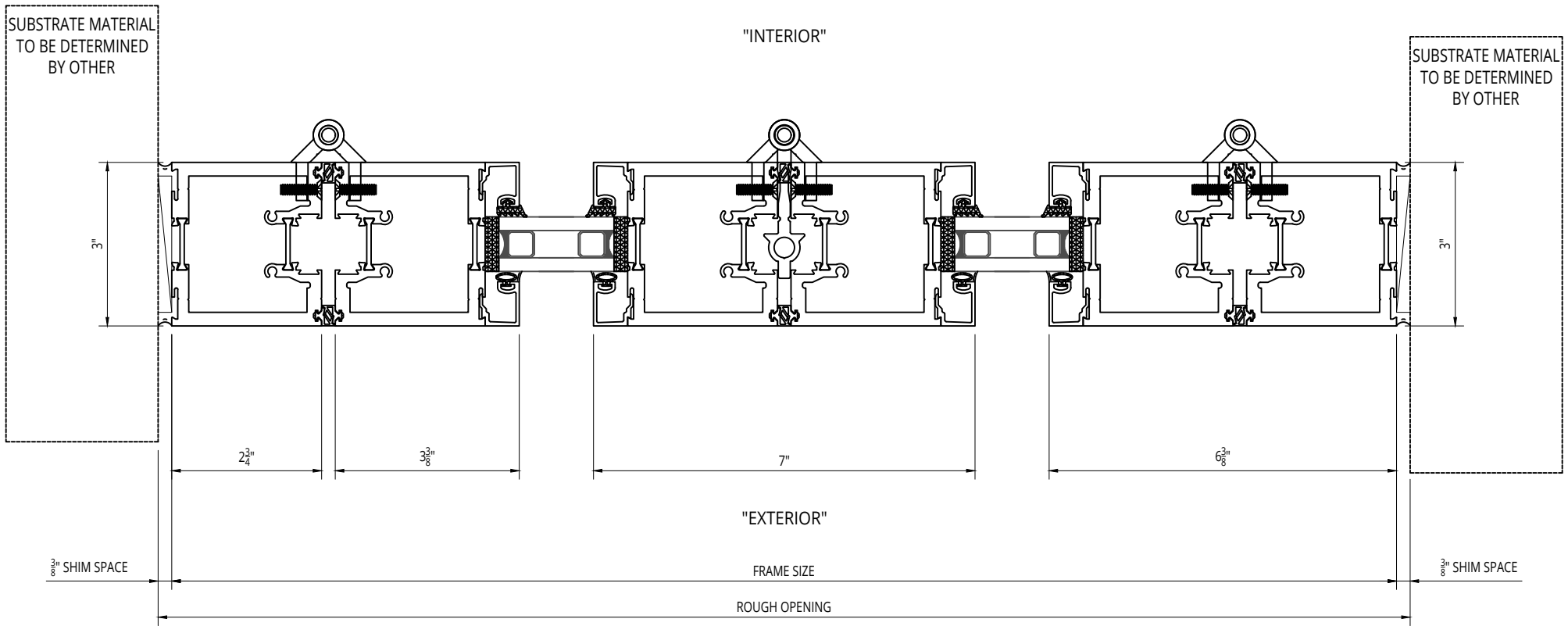


© 2017 Solar Innovations, Inc. - All Rights Reserved. These plans are the property of Solar Innovations, Inc. Any use or reproduction of these plans, in whole or in part, without the written permission of Solar Innovations, Inc. is forbidden. PRELIMINARY DETAILS ONLY, NOT FOR CONSTRUCTION USE

STRUCTURAL HEADER NOTE:  
 STRUCTURAL HEADER [ NOT BY SOLAR INNOVATIONS ]  
 REQUIRED TO SUPPORT WEIGHT OF FOLDING GLASS WALL.  
 HEAD DETAIL SHOWN FOR CONCEPTUAL USE ONLY. DESIGN OF  
 HEADER IS NOT THE RESPONSIBILITY OF SOLAR INNOVATIONS.



© 2017 Solar Innovations, Inc. - All Rights Reserved. These plans are the property of Solar Innovations, Inc. Any use or reproduction of these plans, in whole or in part, without the written permission of Solar Innovations, Inc. is forbidden. PRELIMINARY DETAILS ONLY, NOT FOR CONSTRUCTION USE



© 2017 Solar Innovations, Inc. - All Rights Reserved. These plans are the property of Solar Innovations, Inc. Any use or reproduction of these plans, in whole or in part, without the written permission of Solar Innovations, Inc. is forbidden. PRELIMINARY DETAILS ONLY, NOT FOR CONSTRUCTION USE.



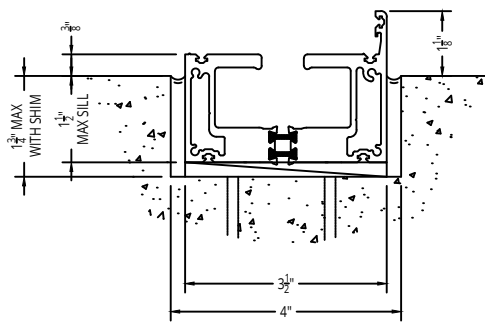
## SI3000 G3 Thermally Broken Folding Glass Wall, Outfold, Top/Bottom Load, Standard Dual Wheel Sill - Jamb Details

ALL DATA CONTAINED HERE IN IS CONSIDERED COMPANY CONFIDENTIAL INFORMATION AND IS SUBJECT TO OUR CONFIDENTIALITY AGREEMENT AS SET FORTH ON OUR WEBSITE AT <http://www.solarinnovations.com/contact/>

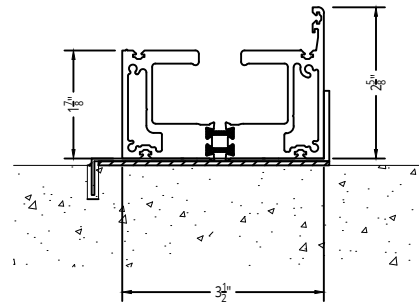
ALL DRAWINGS ARE VIEWED FROM THE EXTERIOR LOOKING IN.

DRAWING SCALE: NOT TO SCALE

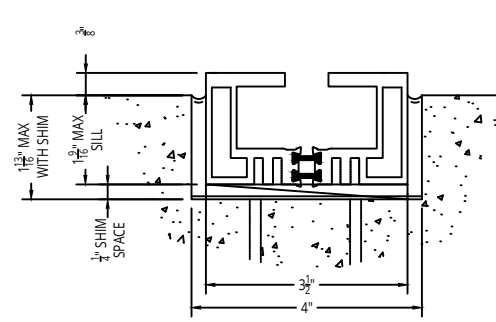
# SI3000 G3 FOLDING GLASS WALL SILLS



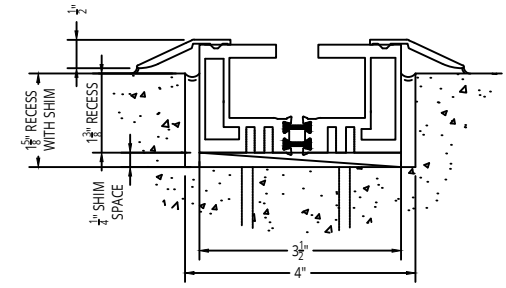
**RECESSED STANDARD SILL**  
12.0 PSF NO LEAKAGE  
HURRICANE CERTIFIED  
NOT ADA  
**MUST CHOOSE PAINT COLOR**



**STANDARD SILL**  
12.0 PSF NO LEAKAGE  
HURRICANE CERTIFIED  
NOT ADA  
**MUST CHOOSE PAINT COLOR**

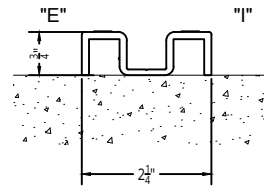


**RECESSED FLUSH SILL**  
LIMITED AIR & WATER PERFORMANCE  
SIMILAR TO COMMERCIAL DOOR OR BETTER  
BECAUSE OF TANK  
HURRICANE CERTIFIED AT 9.0PSF NO LEAKAGE  
**CLR OR DK BRZ ANODIZED**

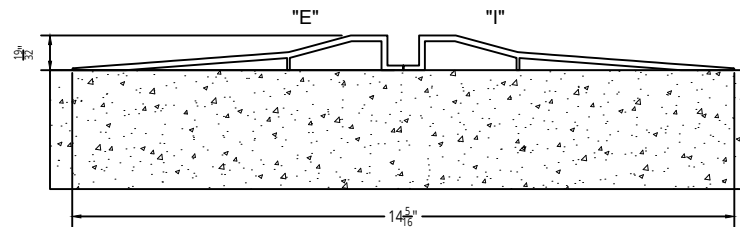


**RECESSED SILL w/ DOUBLE RAMP**  
LIMITED WATER RESISTANCE SIMILAR  
TO COMMERCIAL DOOR  
HURRICANE CERTIFIED AT 9.0PSF NO LEAKAGE  
MEETS ADA  
**CLR OR DK BRZ ANODIZED**

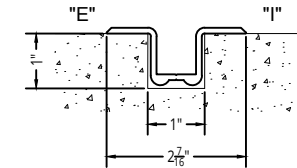
## TOP LOAD ONLY (REQUIRES STRUCTURAL HEADER BY OTHERS) NO TRANSOM BY S.I.



**SURFACE MOUNTED SILL (TOP LOAD ONLY)**  
LIMITED AIR AND WATER  
SIMILAR TO COMMERCIAL DOOR  
NOT HURRICANE CERTIFIED  
**MUST CHOOSE PAINT COLOR**

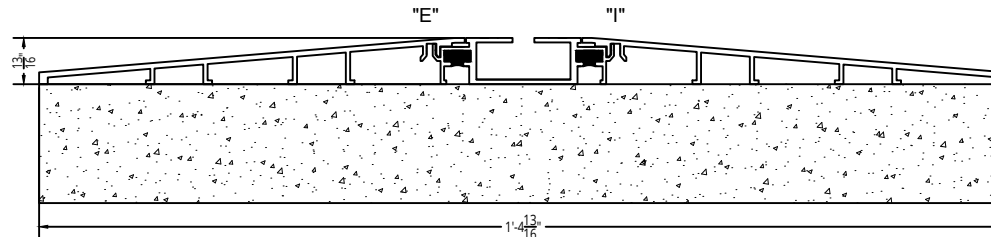


**SURFACE ADA SILL (TOP LOAD ONLY)**  
LIMITED WATER RESISTANCE SIMILAR  
TO COMMERCIAL DOOR  
MEETS ADA  
NOT HURRICANE CERTIFIED  
**CLR OR DK BRZ ANODIZED**



**RECESSED FLUSH HAT SILL (TOP LOAD ONLY)**  
LIMITED TO NO WATER RESISTANCE  
MEETS ADA  
NOT HURRICANE CERTIFIED  
**CLR OR DK BRZ ANODIZED**

**THERMAL ADA RAMP SILL (TOP LOAD ONLY)**  
LIMITED WATER RESISTANCE SIMILAR  
TO COMMERCIAL DOOR  
NOT HURRICANE CERTIFIED  
**CLR OR DK BRZ ANODIZED**



**PLEASE NOTE:**  
All recessed sills require a 1 1/2" drain pipe  
to be located at two points under the sill.  
Locations to be determined and show on  
shop drawings.

© 2017 Solar Innovations, Inc. - All Rights Reserved. These plans are the property of Solar Innovations, Inc. Any use or reproduction of these plans, in whole or in part, without the written permission of Solar Innovations, Inc. is forbidden.