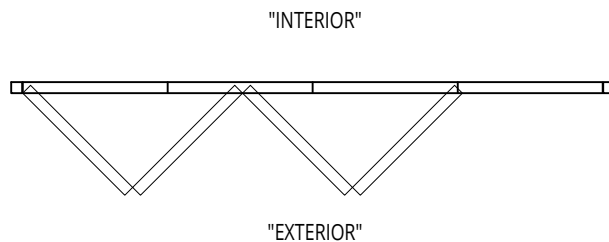


EXTERIOR ELEVATION

NOT TO SCALE

□ SOLAR INNOVATIONS' ALL WALL SYSTEM □



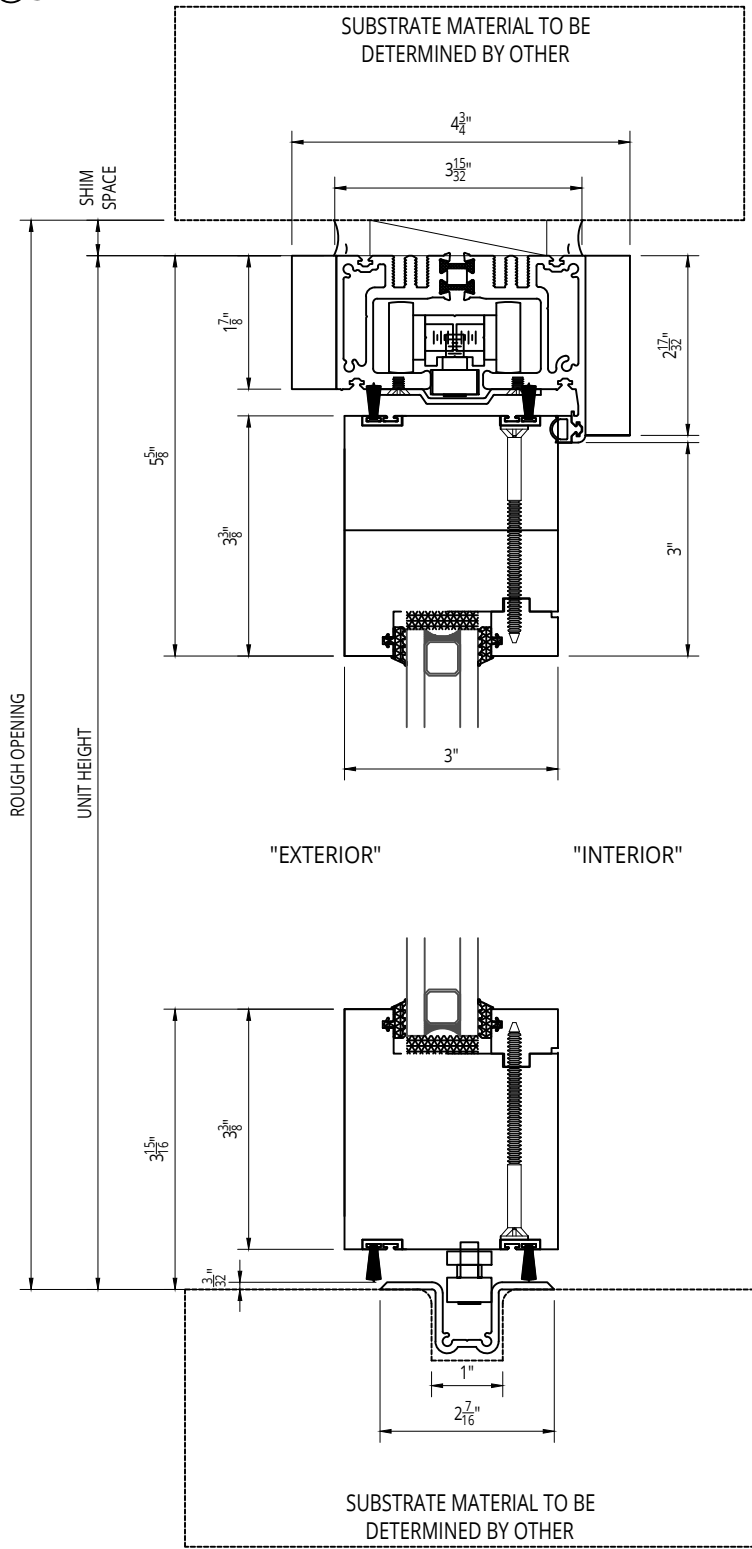
PLAN VIEW

NOT TO SCALE

UNIT INFORMATION
FRAMING TYPE: G3 True Wood Folding Glass Wall
GLAZING SET UP: Opening for $\frac{3}{8}$ " Monolithic Glazing to 1 $\frac{1}{2}$ " Insulated Glazing, Polycarbonate, or Solid Panel Infill
Top or Bottom Weight Bearing
Zero Maintenance Extruded Aluminum Hinges with Stainless Steel Pin
Minimum Horizontal Panel Dimension 1". Smaller Panels may be available upon Engineering Approval
Designed and Manufactured in the U.S.A.

© 2017 Solar Innovations, Inc. - All Rights Reserved. These plans are the property of Solar Innovations, Inc. Any use or reproduction of these plans, in whole or in part, without the written permission of Solar Innovations, Inc. is forbidden.

STRUCTURAL HEADER NOTE:
 STRUCTURAL HEADER IS NOT BY SOLAR INNOVATIONS &
 REQUIRED TO SUPPORT WEIGHT OF FOLDING GLASS WALL.
 HEAD DETAIL SHOWN FOR CONCEPTUAL USE ONLY. DESIGN OF
 HEADER IS NOT THE RESPONSIBILITY OF SOLAR INNOVATIONS.



© 2017 Solar Innovations, Inc. - All Rights Reserved. These plans are the property of Solar Innovations, Inc. Any use or reproduction of these plans, in whole or in part, without the written permission of Solar Innovations, Inc. is forbidden.

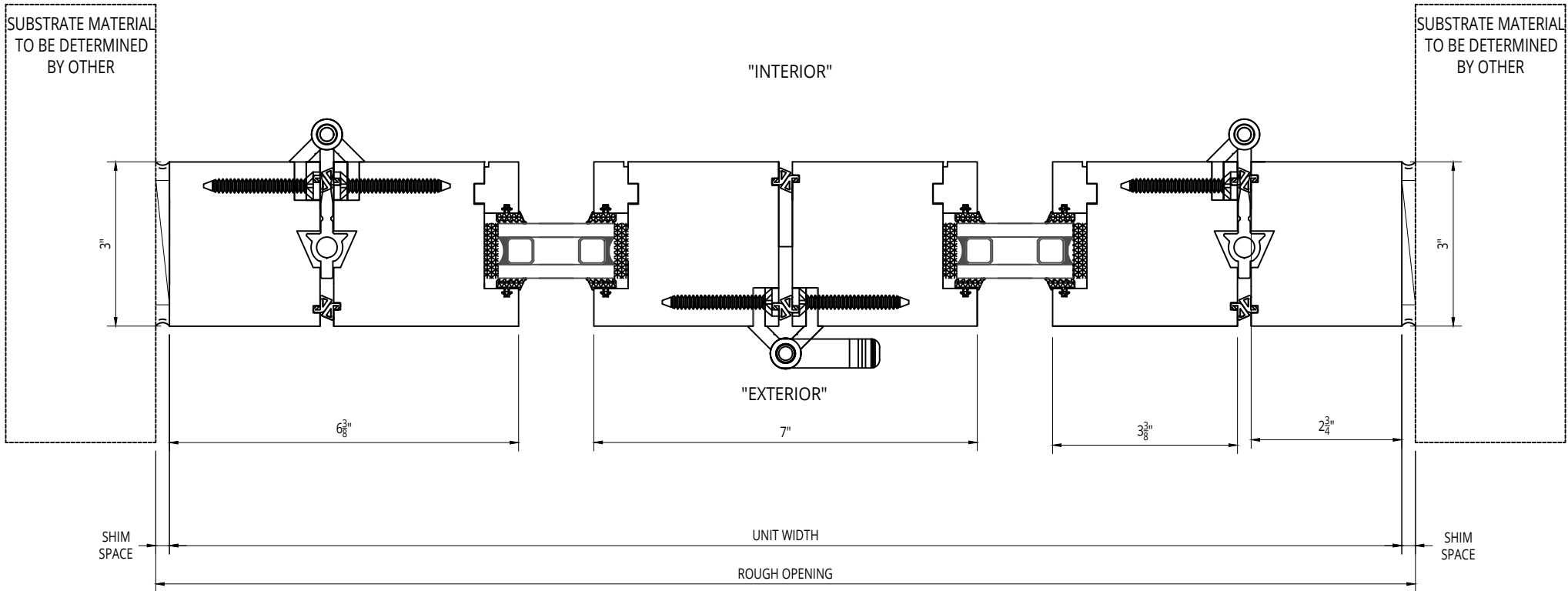


SI3000W G3 True Wood Folding Glass Wall, Outfold, Top Load, Recessed Flush Hat Sill - Head and Sill Section

ALL DRAWINGS ARE VIEWED FROM THE EXTERIOR LOOKING IN.

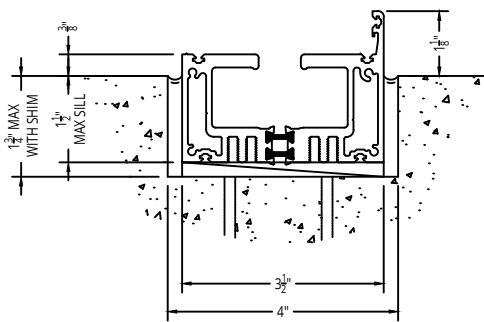
DRAWING SCALE: NOT TO SCALE

ALL DATA CONTAINED HEREIN IS CONSIDERED COMPANY CONFIDENTIAL INFORMATION AND IS SUBJECT TO OUR CONFIDENTIALITY AGREEMENT AS SET FORTH ON OUR WEBSITE AT <http://www.solarinnovations.com/contact/>

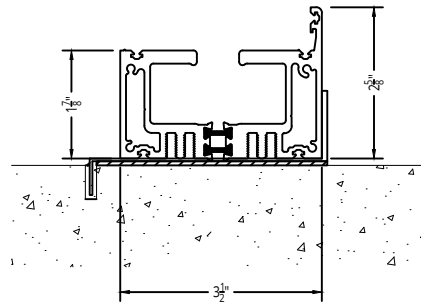


© 2017 Solar Innovations, Inc. - All Rights Reserved. These plans are the property of Solar Innovations, Inc. Any use or reproduction of these plans, in whole or in part, without the written permission of Solar Innovations, Inc. is forbidden.

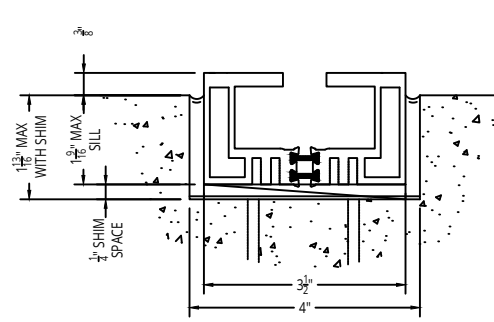
SI3000W G3 TRUE WOOD FOLDING GLASS WALL SILLS



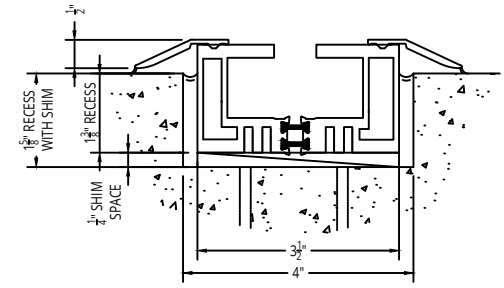
RECESSED STANDARD SILL
 12.0 PSF NO LEAKAGE
 HURRICANE CERTIFIED
 NOT ADA
MUST CHOOSE PAINT COLOR



STANDARD SILL
 12.0 PSF NO LEAKAGE
 HURRICANE CERTIFIED
 NOT ADA
MUST CHOOSE PAINT COLOR

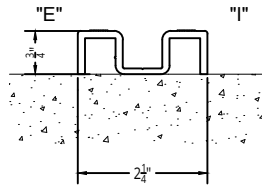


RECESSED FLUSH SILL
 LIMITED AIR & WATER PERFORMANCE
 SIMILAR TO COMMERCIAL DOOR OR BETTER
 BECAUSE OF TANK
 HURRICANE CERTIFIED AT 9.0PSF NO LEAKAGE
CLR OR DK BRZ ANODIZED

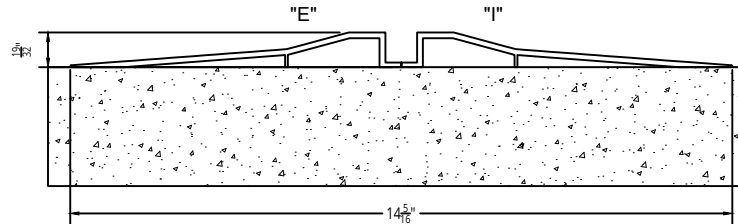


RECESSED SILL w/ DOUBLE RAMPS
 LIMITED WATER RESISTANCE SIMILAR
 TO COMMERCIAL DOOR
 HURRICANE CERTIFIED AT 9.0PSF NO LEAKAGE
 MEETS ADA
CLR OR DK BRZ ANODIZED

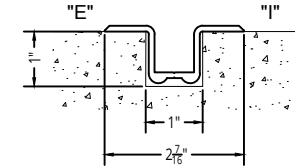
TOP LOAD ONLY (REQUIRES STRUCTURAL HEADER BY OTHERS) NO TRANSOM BY S.I.



SURFACE MOUNTED SILL (TOP LOAD ONLY)
 LIMITED AIR AND WATER
 SIMILAR TO COMMERCIAL DOOR
 NOT HURRICANE CERTIFIED
MUST CHOOSE PAINT COLOR

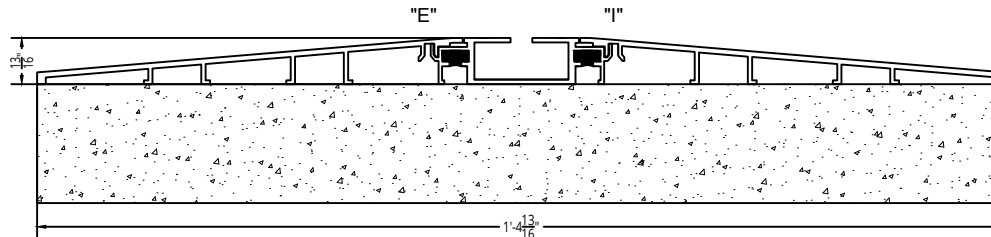


SURFACE ADA SILL (TOP LOAD ONLY)
 LIMITED WATER RESISTANCE SIMILAR
 TO COMMERCIAL DOOR
 MEETS ADA
 NOT HURRICANE CERTIFIED
CLR OR DK BRZ ANODIZED



RECESSED FLUSH HAT SILL (TOP LOAD ONLY)
 LIMITED TO NO WATER RESISTANCE
 MEETS ADA
 NOT HURRICANE CERTIFIED
CLR OR DK BRZ ANODIZED

THERMAL ADA RAMP SILL (TOP LOAD ONLY)
 LIMITED WATER RESISTANCE SIMILAR
 TO COMMERCIAL DOOR
 NOT HURRICANE CERTIFIED
CLR OR DK BRZ ANODIZED



PLEASE NOTE:
 All recessed sills require a 1 1/2" drain pipe
 to be located at two points under the sill.
 Locations to be determined and show on
 shop drawings.

© 2017 Solar Innovations, Inc. - All Rights Reserved. These plans are the property of Solar Innovations, Inc. Any use or reproduction of these plans, in whole or in part, without the written permission of Solar Innovations, Inc. is forbidden.