

EXTERIOR ELEVATION

NOT TO SCALE

~ SOLAR INNOVATIONS' VINYL TILT TURN WINDOW ~

UNIT INFORMATION

FRAMING TYPE: Vinyl (EU) Tilt Turn Window

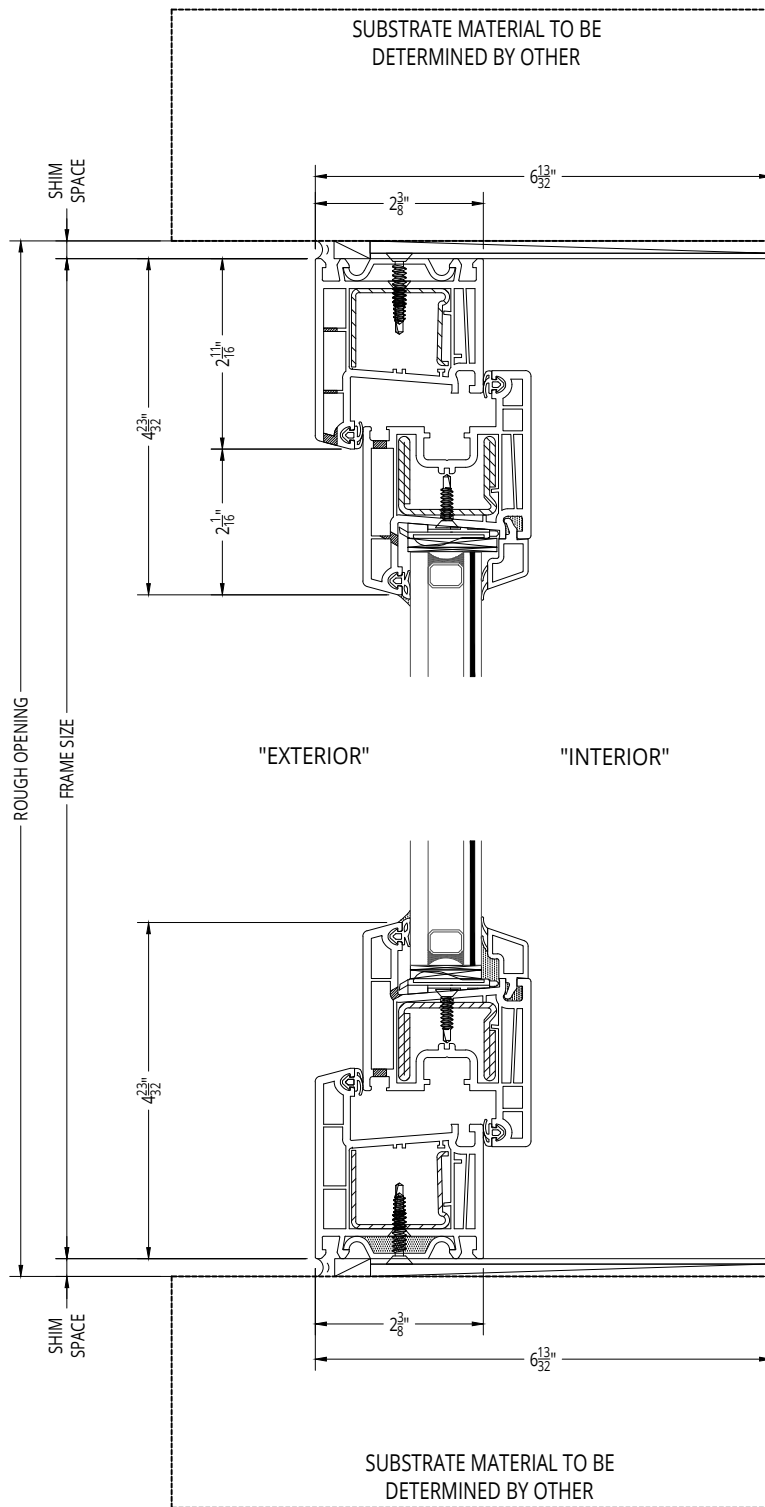
GLAZING SET UP: Opening typical for 1" Insulated Glazing, Polycarbonate, or Solid Panel Infill

Interior and Exterior Foil Options

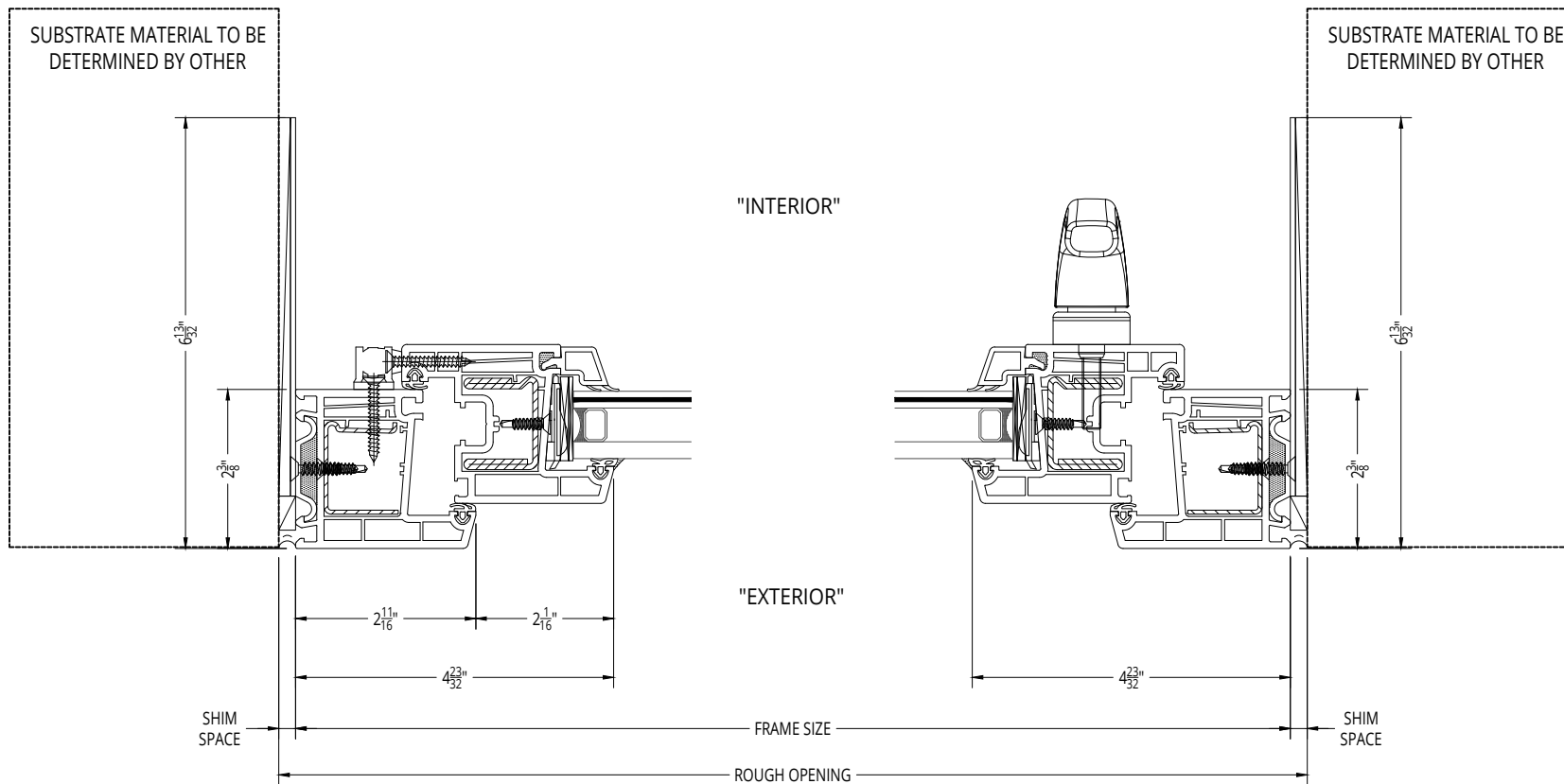
Decorative interior and exterior grid option

Designed and Manufactured in the U.S.A.

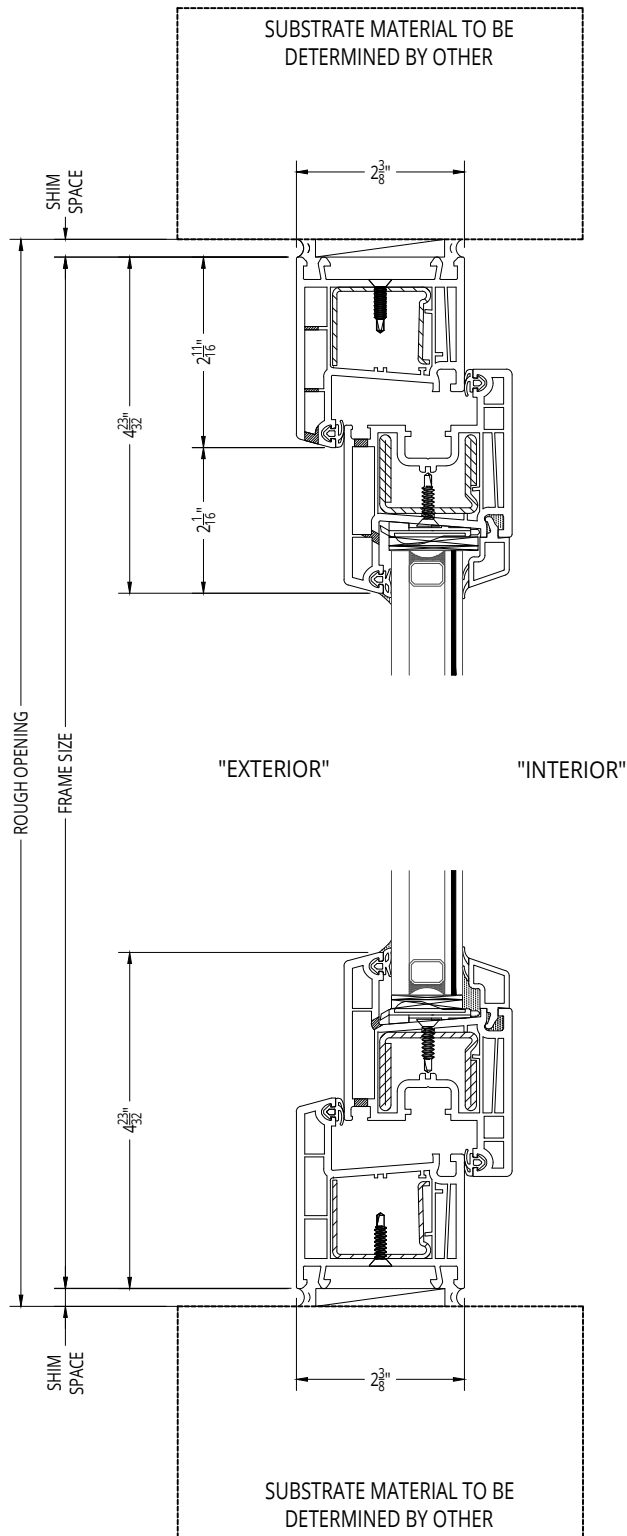
© 2017 Solar Innovations, Inc. - All Rights Reserved. These plans are the property of Solar Innovations, Inc. Any use or reproduction of these plans, in whole or in part, without the written permission of Solar Innovations, Inc. is forbidden.



© 2017 Solar Innovations, Inc. - All Rights Reserved. These plans are the property of Solar Innovations, Inc. Any use or reproduction of these plans, in whole or in part, without the written permission of Solar Innovations, Inc. is forbidden.

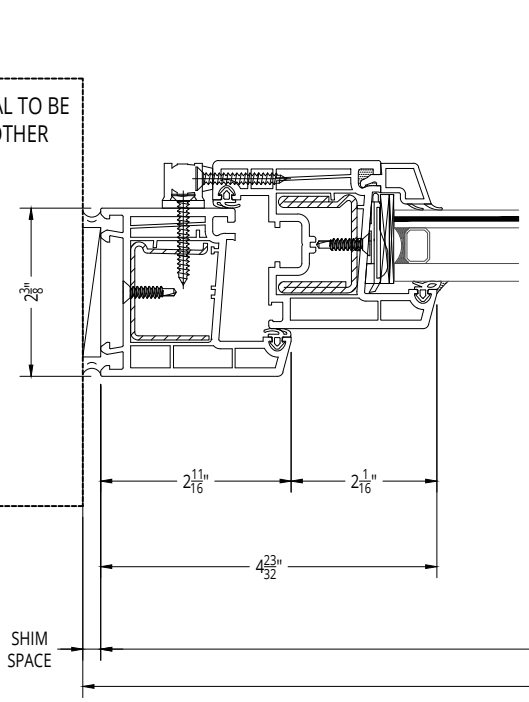


© 2017 Solar Innovations, Inc. - All Rights Reserved. These plans are the property of Solar Innovations, Inc. Any use or reproduction of these plans, in whole or in part, without the written permission of Solar Innovations, Inc. is forbidden.



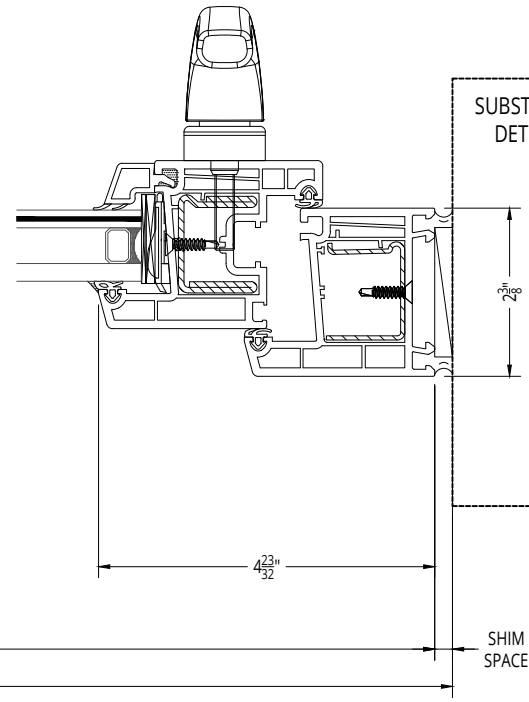
© 2017 Solar Innovations, Inc. - All Rights Reserved. These plans are the property of Solar Innovations, Inc. Any use or reproduction of these plans, in whole or in part, without the written permission of Solar Innovations, Inc. is forbidden.

SUBSTRATE MATERIAL TO BE DETERMINED BY OTHER

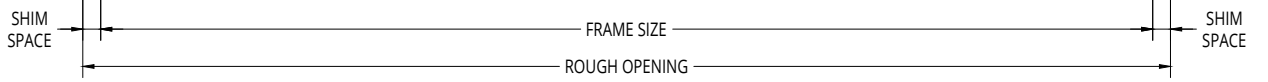


"INTERIOR"

SUBSTRATE MATERIAL TO BE DETERMINED BY OTHER



"EXTERIOR"



© 2017 Solar Innovations, Inc. - All Rights Reserved. These plans are the property of Solar Innovations, Inc. Any use or reproduction of these plans, in whole or in part, without the written permission of Solar Innovations, Inc. is forbidden.