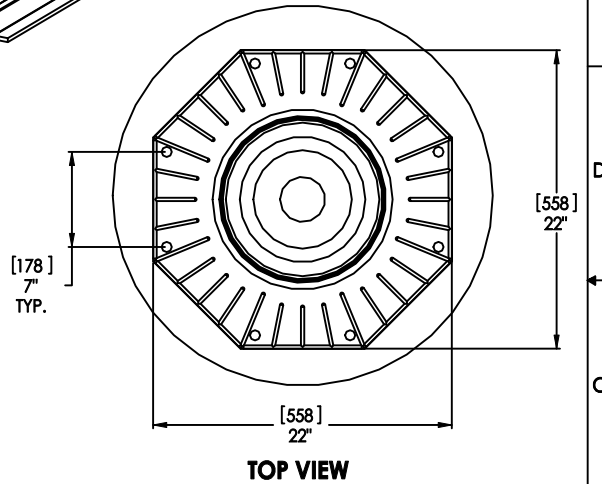
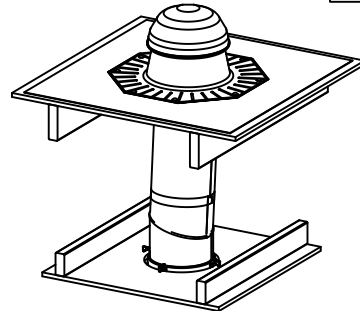
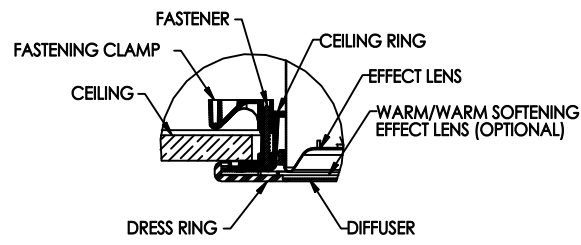
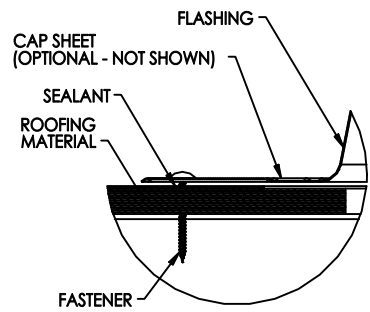
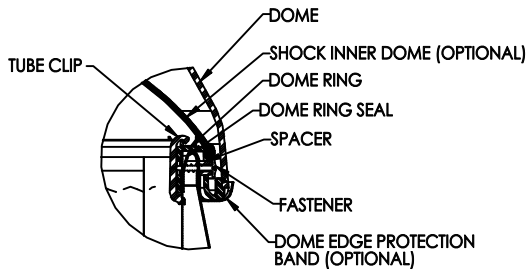
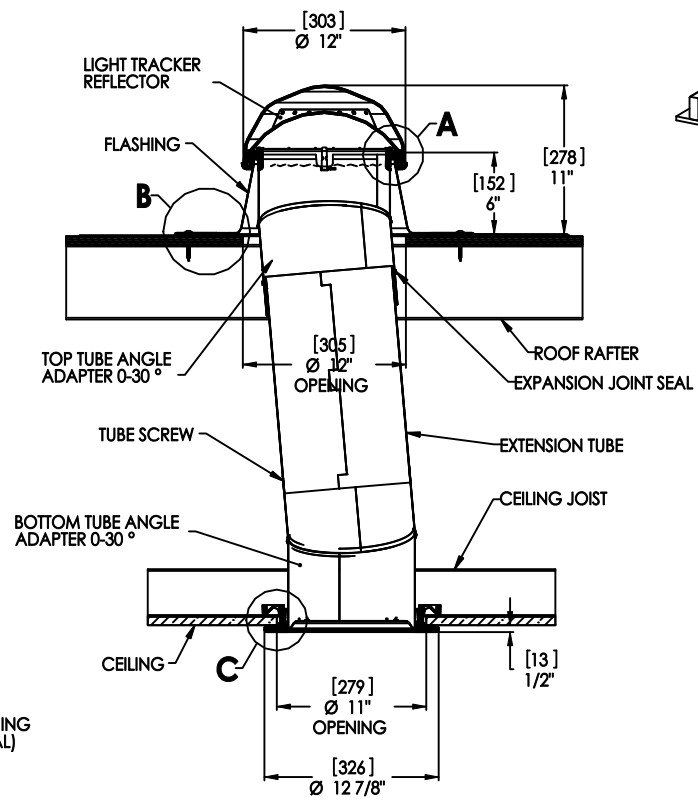


REVISIONS					
REV	ECO	DATE	REVISED	CHECKED	APPROVED
A		10/4/2010			



**SOLATUBE 160 DS
(10 IN / 250 MM)
SELF-FLASHING
HARD CEILING**



- NOTES:**
1. STRUCTURAL ELEMENTS (PLYWOOD, RAFTERS, DRYWALL ETC. BY OTHERS & SHOWN FOR REFERENCE ONLY).
 2. ALL TUBE JOINTS & SEAMS TAPED WITH 2" FOIL TAPE (NOT SHOWN).
 3. DIMENSIONS IN BRACKETS ARE METRIC UNLESS OTHERWISE SPECIFIED.
 4. 6" MIN CLEARANCE SHOULD BE MAINTAINED FROM ALL SOLATUBE COMPONENTS AND OTHER PLENUM COMPONENTS.

UNLESS OTHERWISE SPECIFIED: DIMENSION TOLERANCE FRACTION: ±1/4" INCH [X.25] MILLIMETER [X] ± 0.25		SOLATUBE INTERNATIONAL, INC. COPYRIGHT 2010 WWW.SOLATUBE.COM		<p>SOLATUBE 2750 GARA ROAD, SUITE 100 MESA, CALIFORNIA 92541-8041 PH (760) 947-4400</p>	
MATERIAL	DRAWN BY STEVENS	DATE 10/4/10	TITLE: SOLATUBE 160 DS SELF-FLASHING HARD CEILING		
FINISH	CHECKED BY	DATE	SIZE	DWG. NO. WEB-160DS-SF6-HC	REV A
DO NOT SCALE DRAWING	APPROVED BY	DATE	SCALE 1:1	SHEET 1 OF 1	