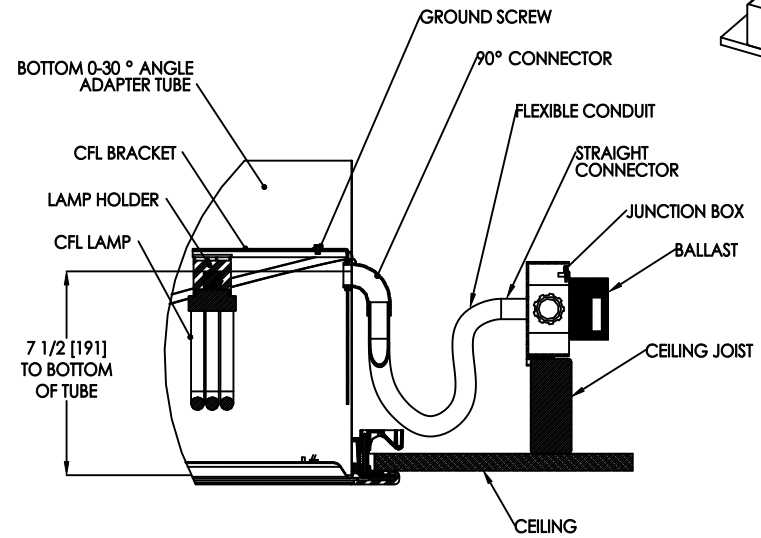
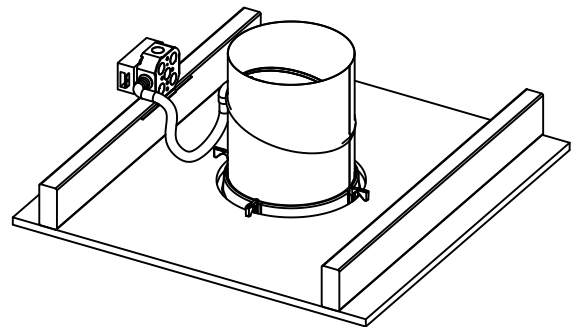
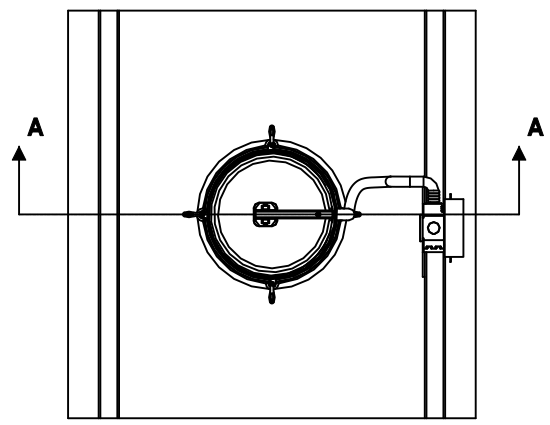


REVISIONS					
REV	ECO	DATE	REVISED	CHECKED	APPROVED
A		10/4/2010			

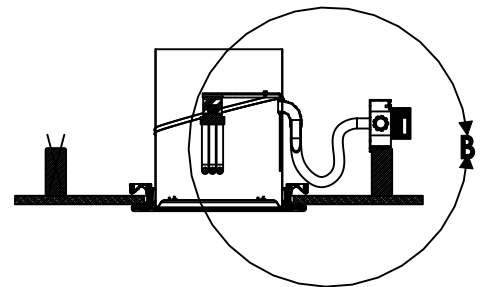
**SOLATUBE 160 DS
(10 IN / 250 MM)
COMPACT FLUORESCENT
LIGHT KIT**



**DETAIL B
SCALE 2 : 1**

NOTES:

1. STRUCTURAL ELEMENTS (PLYWOOD, RAFTERS, DRYWALL ETC. BY OTHERS & SHOWN FOR REFERENCE ONLY).
2. ALL TUBE JOINTS & SEAMS TAPED WITH 2" FOIL TAPE (NOT SHOWN).
3. DIMENSIONS IN BRACKETS ARE METRIC UNLESS OTHERWISE SPECIFIED.
4. 6" MIN CLEARANCE SHOULD BE MAINTAINED FROM ALL SOLATUBE COMPONENTS AND OTHER PLENUM COMPONENTS.
5. CFL LAMP: USE GX24q-3 BASE, 26 WATT; 4-PIN ONLY



SECTION A-A

UNLESS OTHERWISE SPECIFIED:			SOLATUBE INTERNATIONAL, INC. COPYRIGHT 2010 WWW.SOLATUBE.COM		TITLE: SOLATUBE 160 DS COMPACT FLUORESCENT LIGHT	
DIMENSION TOLERANCE FRACTIONS ± 1/16" INCH ± .1 MILLIMETER ± .25 JOK ± .26 [CQ] ± 1.5			DRAWN BY STEVENS	DATE 10/4/10	SIZE	REV A
MATERIAL -			CHECKED BY -	DATE -	DWG. NO. WEB-160DS-HC-CFL	SCALE: 1:1
FINISH -			APPROVED BY -	DATE -		SHEET 1 OF 1
DO NOT SCALE DRAWING						