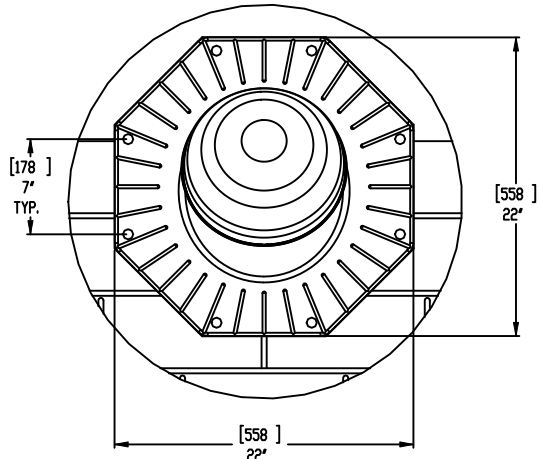
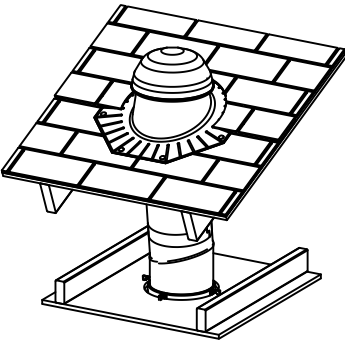
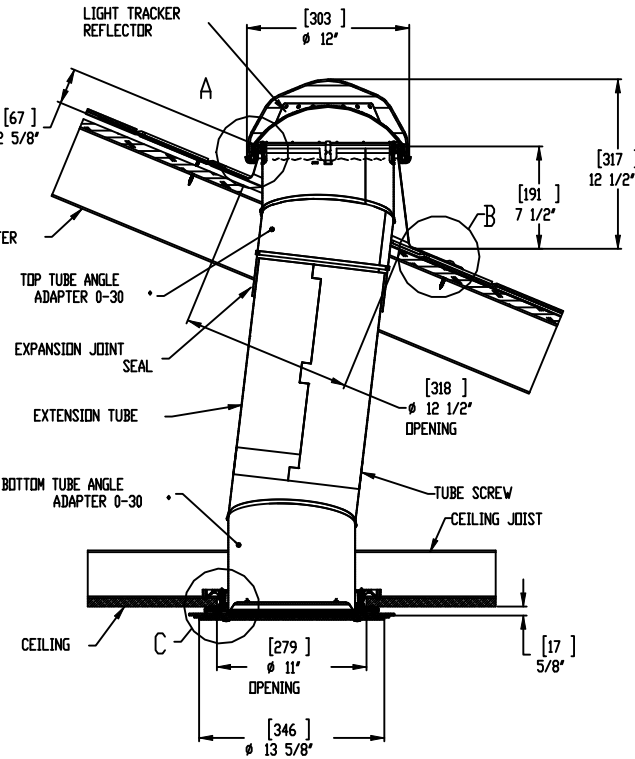


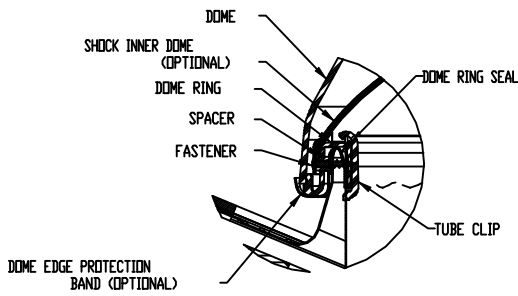
SOLATUBE 160 DS  
(10 IN / 250 MM)  
PITCHED SELF-FLASHING  
HARD CEILING W/TIER DROP



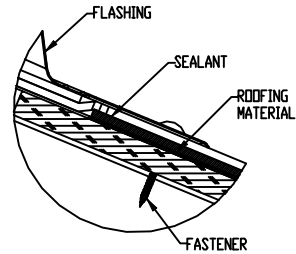
TOP VIEW



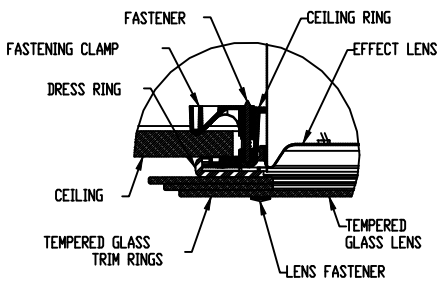
FULL SECTION  
SCALE 1:1



DETAIL A  
SCALE 3:1



DETAIL B  
SCALE 3:1



DETAIL C  
SCALE 3:1

NOTES:

1. STRUCTURAL ELEMENTS (PLYWOOD, RAFTERS, DRYWALL ETC. BY OTHERS & SHOWN FOR REFERENCE ONLY.
2. ALL TUBE JOINTS & SEAMS TAPED WITH 2" FOIL TAPE (NOT SHOWN).
3. DIMENSIONS IN BRACKETS ARE METRIC UNLESS OTHERWISE SPECIFIED.
4. 6" MIN CLEARANCE SHOULD BE MAINTAINED FROM ALL SOLATUBE COMPONENTS AND OTHER PLENUM COMPONENTS.

UNLESS OTHERWISE SPECIFIED		DIMENSION TOLERANCE		SOLATUBE INTERNATIONAL, INC. OFFICE 08		TITLE	
FRACTION: ± 1/4"		DECIMAL: ± 0.015"		WWW.SOLATUBE.COM		SOLATUBE 160 DS PITCHED SELF-FLASHING HARD CEILING (TD)	
INCH ± 0.1	MILLIMETER ± 0.25	DRAWN BY STEVENS	DATE 04/10	SIZE	DWG. NO. WEB-160DS-SFP-HC-TD	REV A	SCALE 01
BY NOT SCALE DRAWING		CHECKED BY	DATE	SHEET 01		SHEET 1 OF 1	