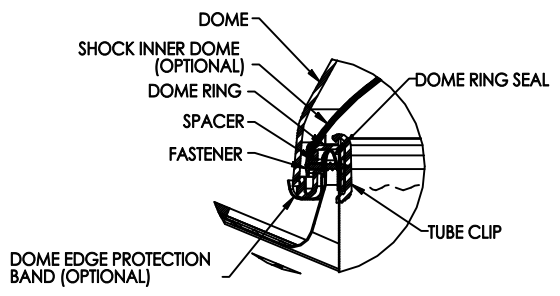
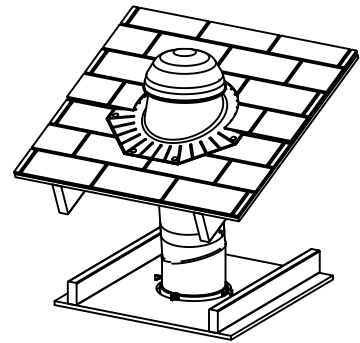
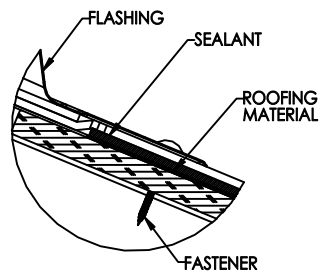


REVISIONS					
REV	ECO	DATE	REVISED	CHECKED	APPROVED
A		10/4/2010			

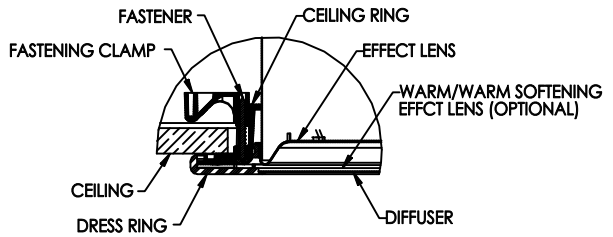
**SOLATUBE 160 DS  
(10 IN / 250 MM)  
PITCHED SELF-FLASHING  
HARD CEILING**



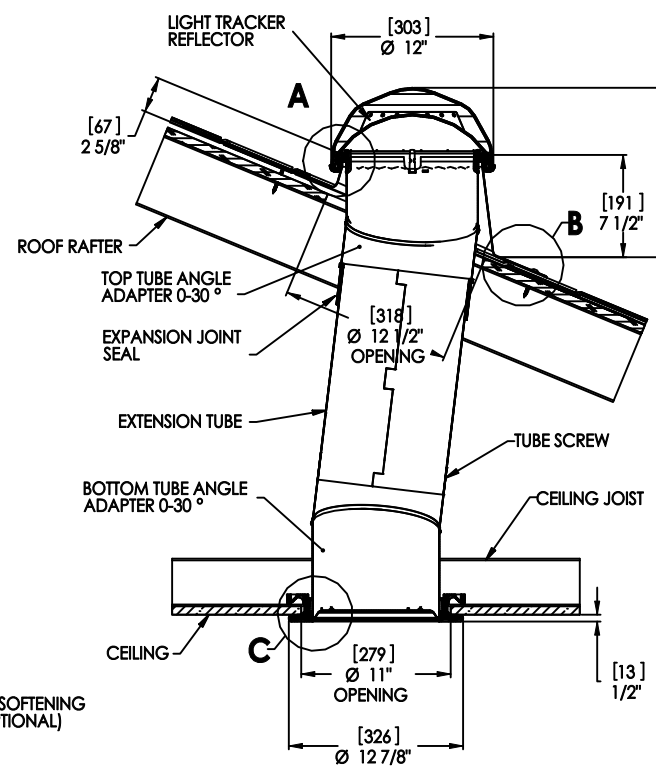
**DETAIL A  
SCALE 3 : 1**



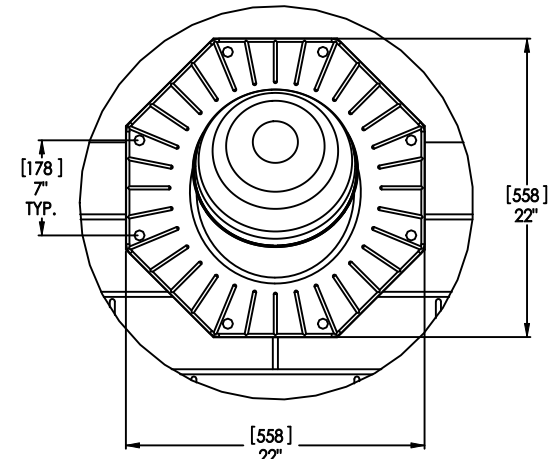
**DETAIL B  
SCALE 3 : 1**



**DETAIL C  
SCALE 3 : 1**



**FULL SECTION  
SCALE 1:1**



**TOP VIEW**

**NOTES:**

1. STRUCTURAL ELEMENTS (PLYWOOD, RAFTERS, DRYWALL ETC. BY OTHERS & SHOWN FOR REFERENCE ONLY).
2. ALL TUBE JOINTS & SEAMS TAPED WITH 2" FOIL TAPE (NOT SHOWN).
3. DIMENSIONS IN BRACKETS ARE METRIC UNLESS OTHERWISE SPECIFIED.
4. 6" MIN CLEARANCE SHOULD BE MAINTAINED FROM ALL SOLATUBE COMPONENTS AND OTHER PLENUM COMPONENTS.

UNLESS OTHERWISE SPECIFIED: DIMENSION TOLERANCE FRACTION: ±1/4" INCH (X 2.5) MILLIMETER (X) ± 2.5		SOLATUBE INTERNATIONAL, INC. COPYRIGHT 2010 WWW.SOLATUBE.COM		 2700 OAK RIDGE WAY 1425 CALIFORNIA BOULEVARD PH (760) 367-4600	
MATERIAL	DRAWN BY STEVENS	DATE 10/4/10	TITLE: <b>SOLATUBE 160 DS PITCHED SELF-FLASHING HARD CEILING</b>		
FINISH	CHECKED BY	DATE	SIZE	DWG. NO. <b>WEB-160DS-SFP-HC</b>	REV <b>A</b>
DO NOT SCALE DRAWING	APPROVED BY	DATE	SCALE: 1:1	SHEET 1 OF 1	